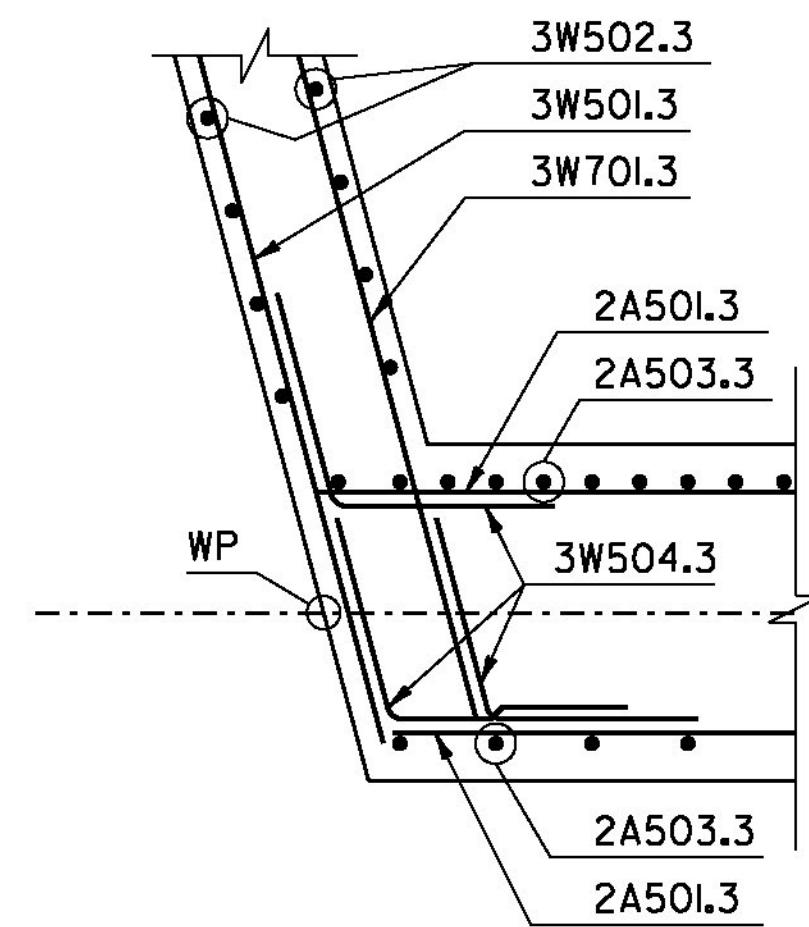


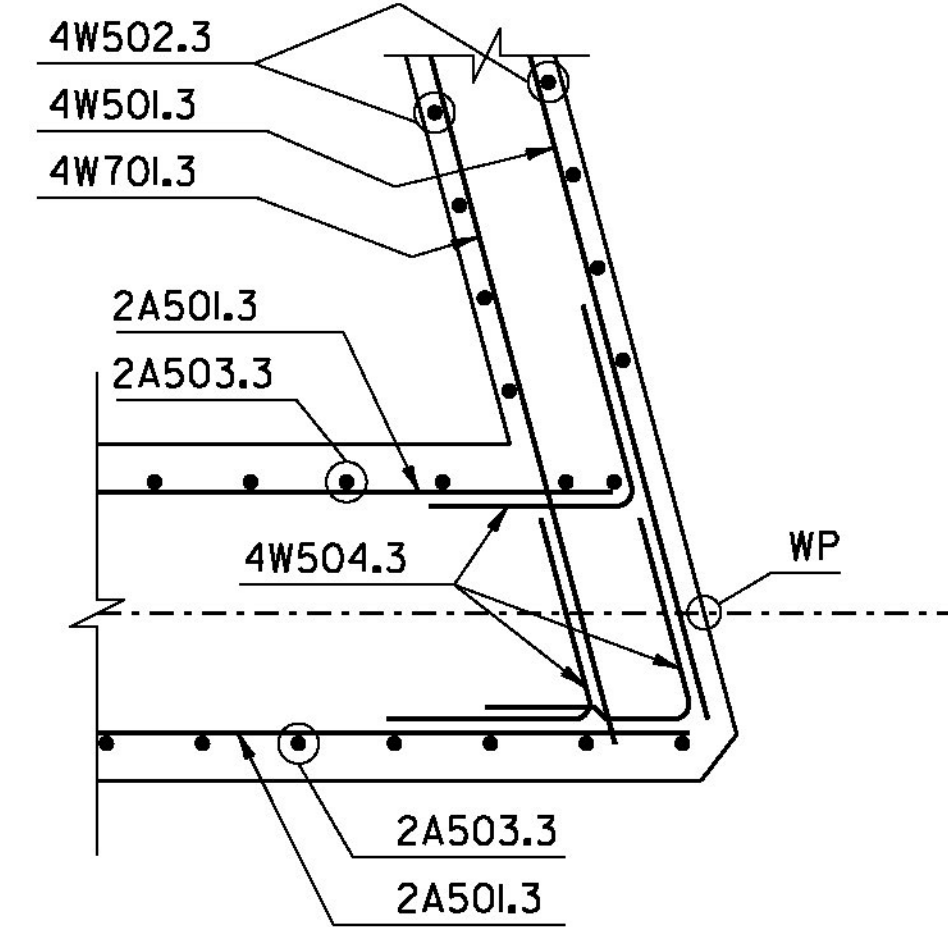
WW3 CORNER DETAIL PCU

SCALE: 1/2" = 1'-0"
(BELOW SEAT)



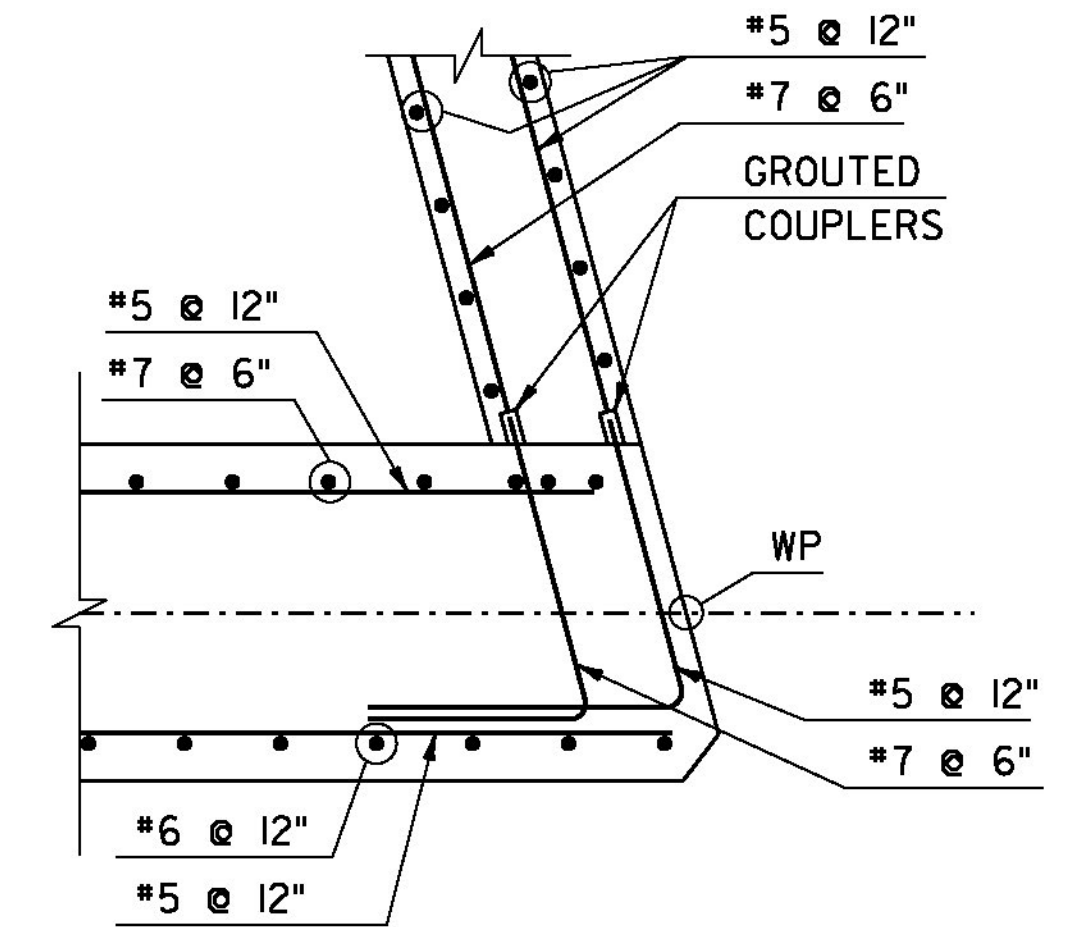
WW3 CORNER DETAIL CIP

SCALE: 1/2" = 1'-0"
(ABOVE SEAT)



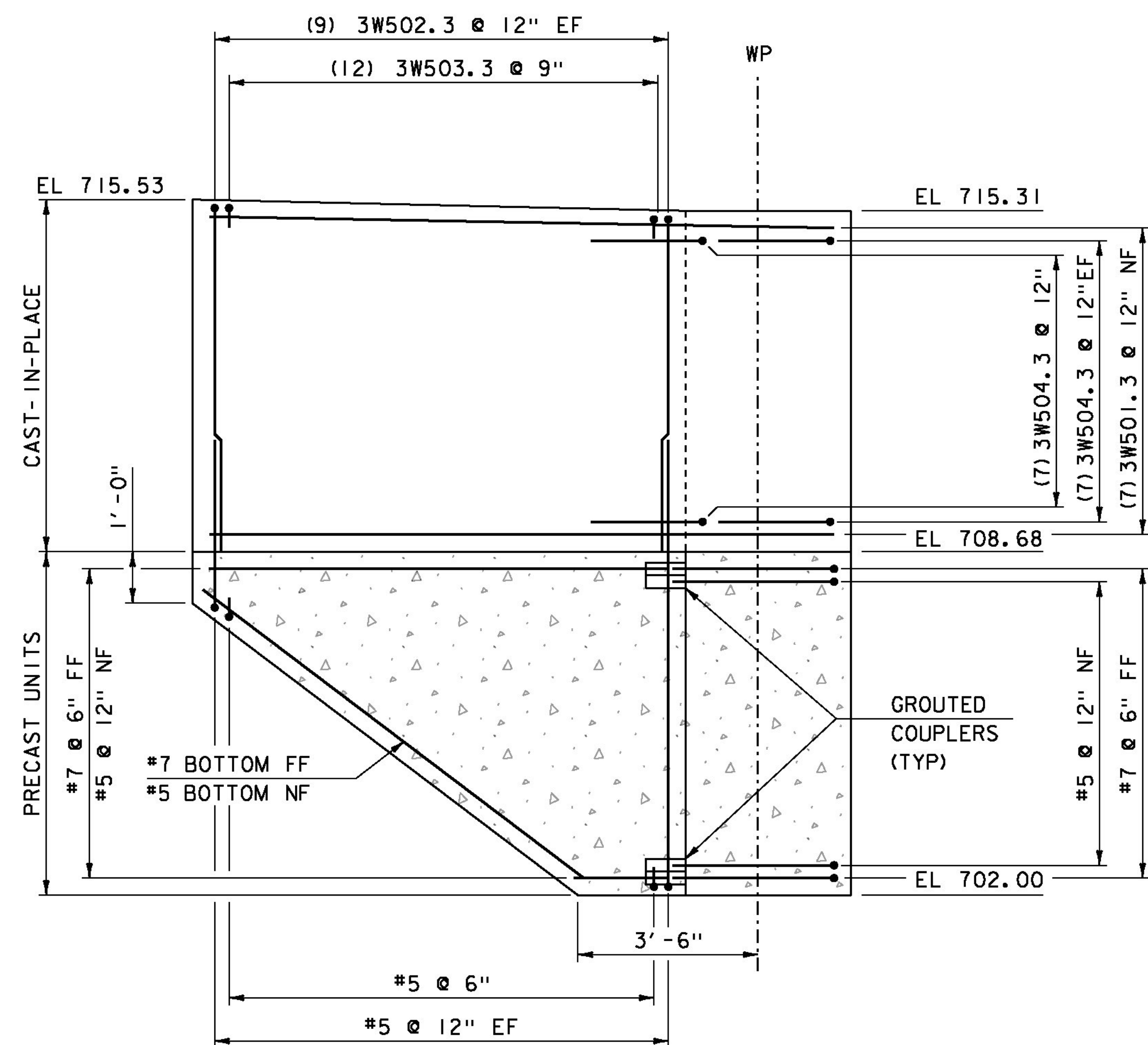
WW4 CORNER DETAIL CIP

SCALE: 1/2" = 1'-0"
(ABOVE SEAT)



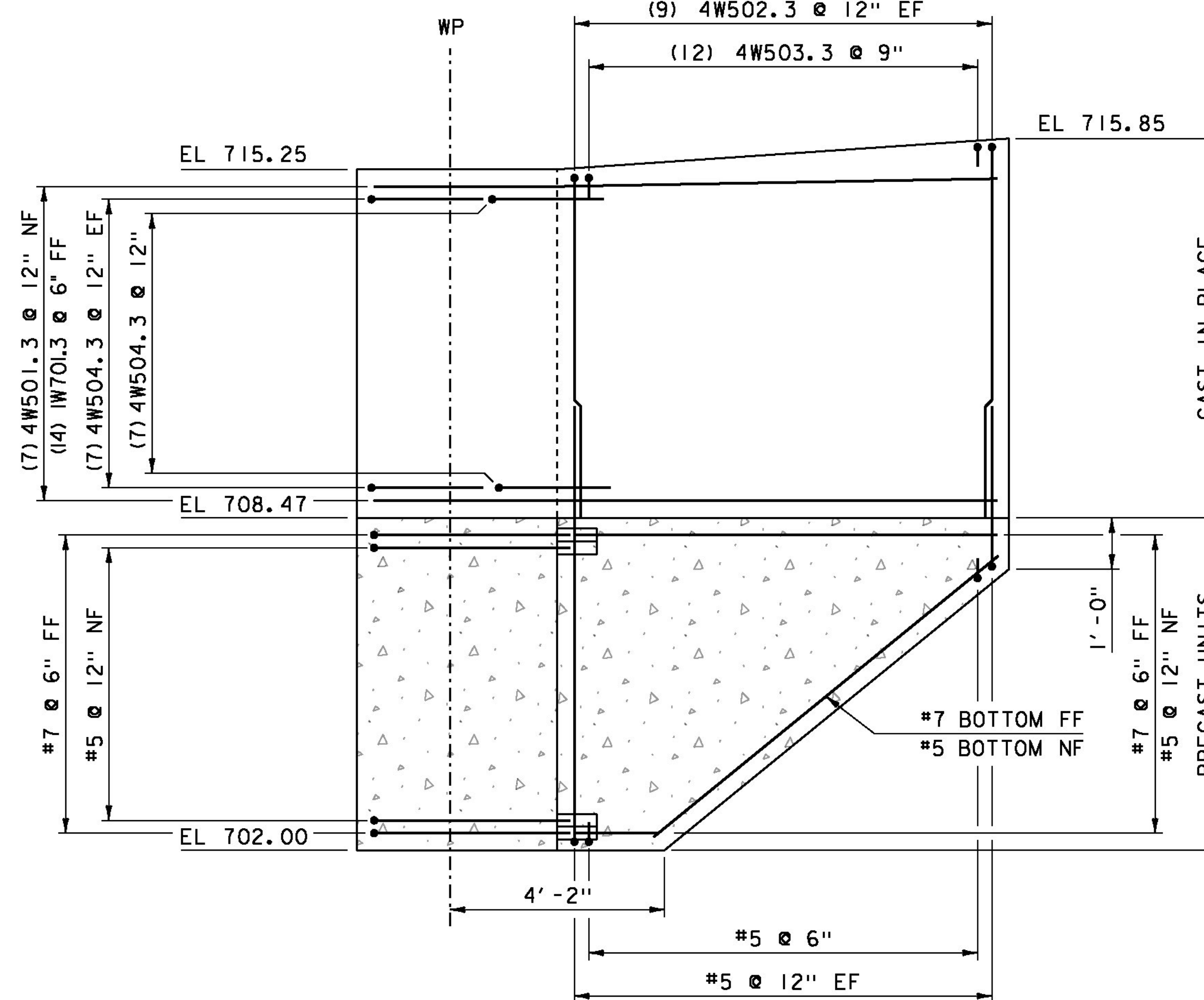
WW4 CORNER DETAIL PCU

SCALE: 1/2" = 1'-0"
(BELOW SEAT)



WINGWALL 3 - ELEVATION

SCALE: 1/2" = 1'-0"



WINGWALL 4 - ELEVATION

SCALE: 1/2" = 1'-0"

NOTE:
NF = NEAR FACE
FF = FAR FACE
EF = EACH FACE
▲ = CUT TO FIT IN FIELD
3" CLEAR, UNLESS OTHERWISE
SPECIFIED ON THE PLANS.
2'-2" BAR LAP UNLESS OTHERWISE
SPECIFIED ON THE PLANS.

PROJECT NAME: STOWE
PROJECT NUMBER: BRF 0235 (II)

FILE NAME: s87e052sub2.dgn
PROJECT LEADER: C. CARLSON
DESIGNED BY: D. PETERSON
WINGWALL 3 - 4 ELEVATIONS
PLOT DATE: 28-JUL-2014
DRAWN BY: D. KARABEGOVIC
CHECKED BY: M. LONGSTREET
SHEET 43 OF 64