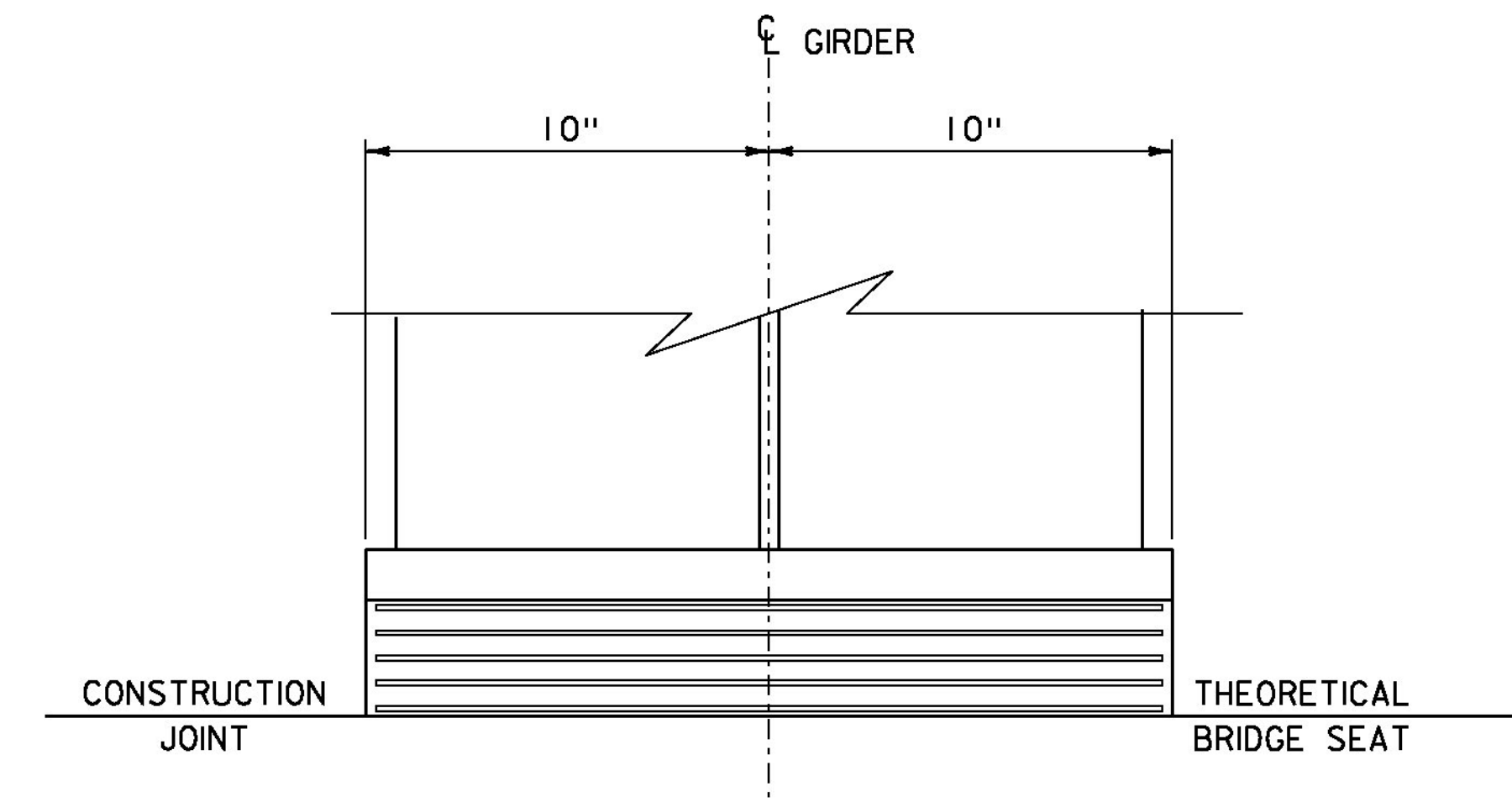


- 1/8" ELASTOMERIC OUTER LAYER (TOP, BOTTOM, AND ALL-AROUND)
- (4) 1/2" LAYERS OF INTERIOR ELASTOMERIC ALTERNATING W/
- (5) 0.0625" (16 GAUGE) STEEL REINFORCING PLATES

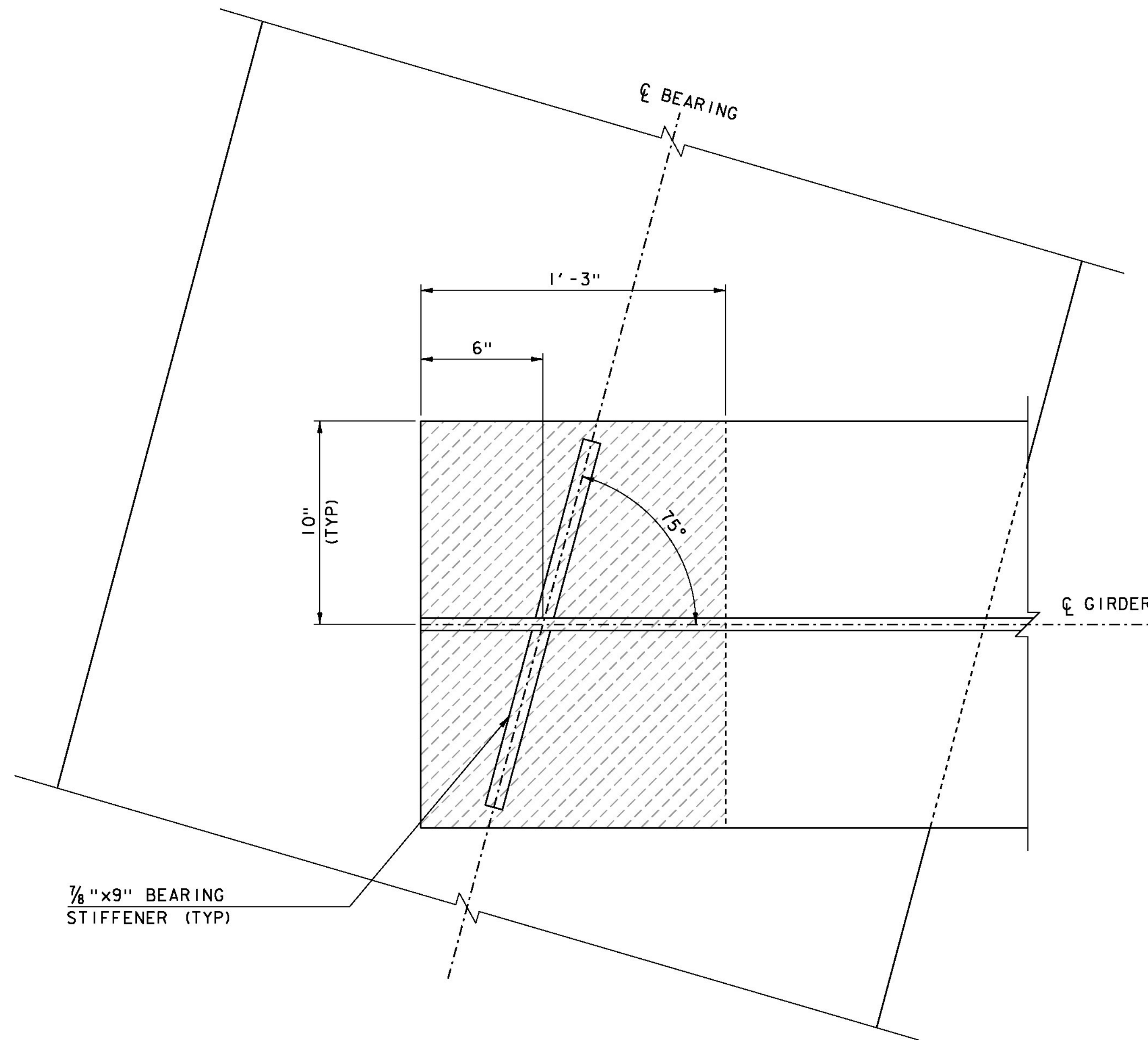
ELASTOMERIC BEARING PAD DETAIL

SCALE 3" = 1'-0"



BEARING SECTION

SCALE 3" = 1'-0"



BEARING PLAN

SCALE 3" = 1'-0"

BEARING DEVICE NOTE

- I. BEARINGS SHALL BE PAID FOR UNDER THE ITEM 531.17 "BEARING DEVICE ASSEMBLY, STEEL REINFORCED ELASTOMERIC PAD" AND SHALL CONFORM TO APPLICABLE SUBSECTIONS OF SECTIONS 531 AND 731.

PROJECT NAME:	STOWE	PLOT DATE:	28-JUL-2014
PROJECT NUMBER:	BRF 0235 (II)	DRAWN BY:	D. PETERSON
FILE NAME:	s87e052brg.dgn	CHECKED BY:	M. LONGSTREET
PROJECT LEADER:	C. CARLSON	SHEET	37 OF 64
DESIGNED BY:	C. BURRALL		
TEMPORARY BEARING DETAILS			