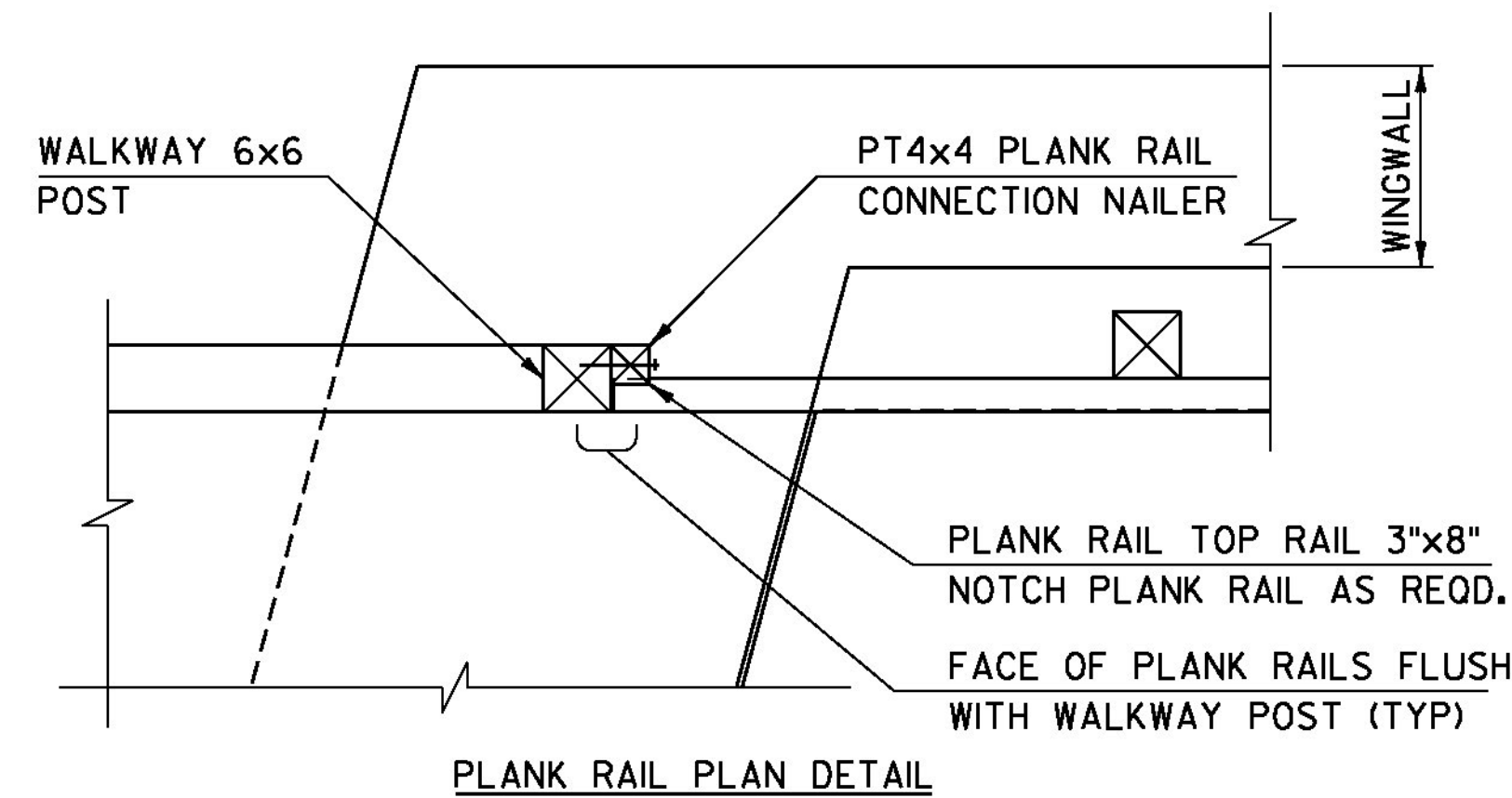
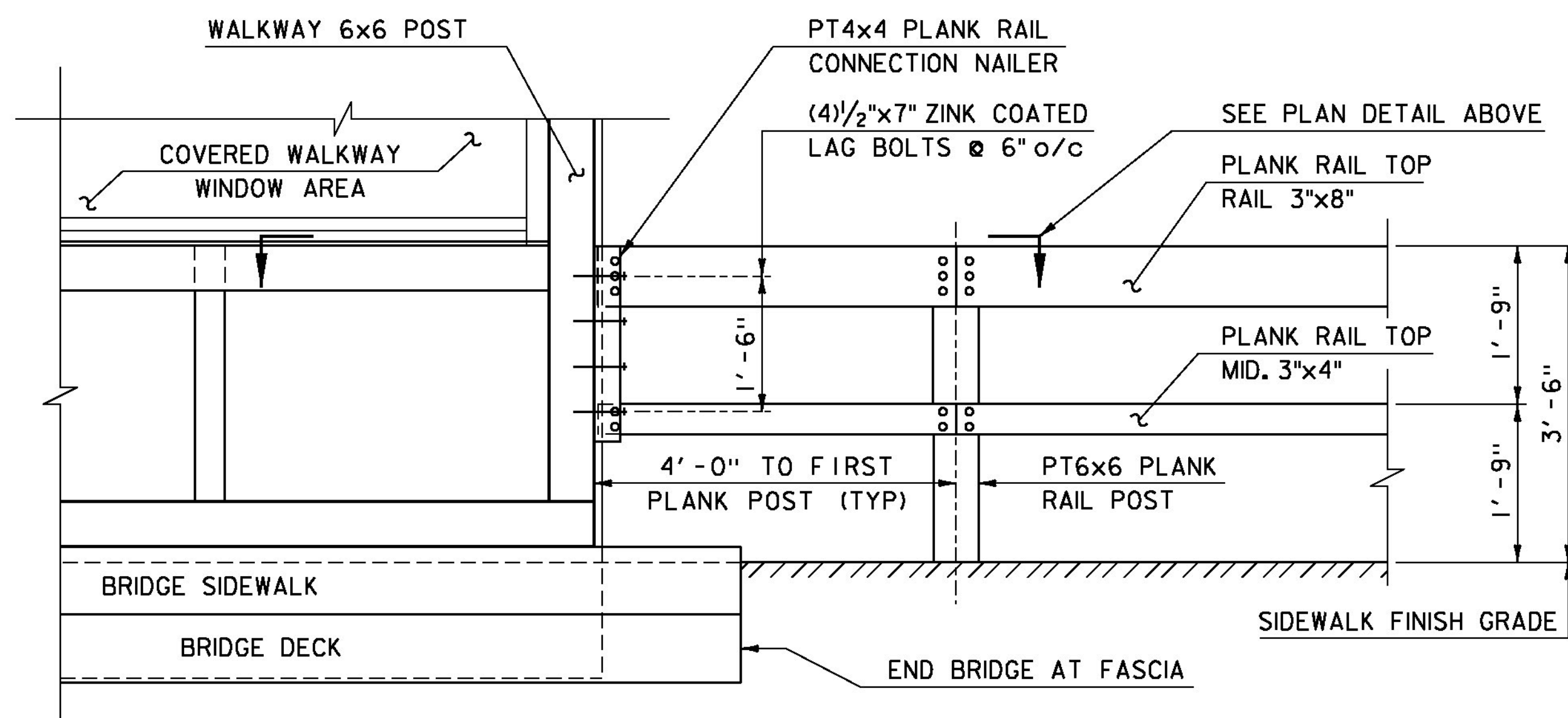


ELEVATION A-A

SCALE: 3/8" = 1'-0"



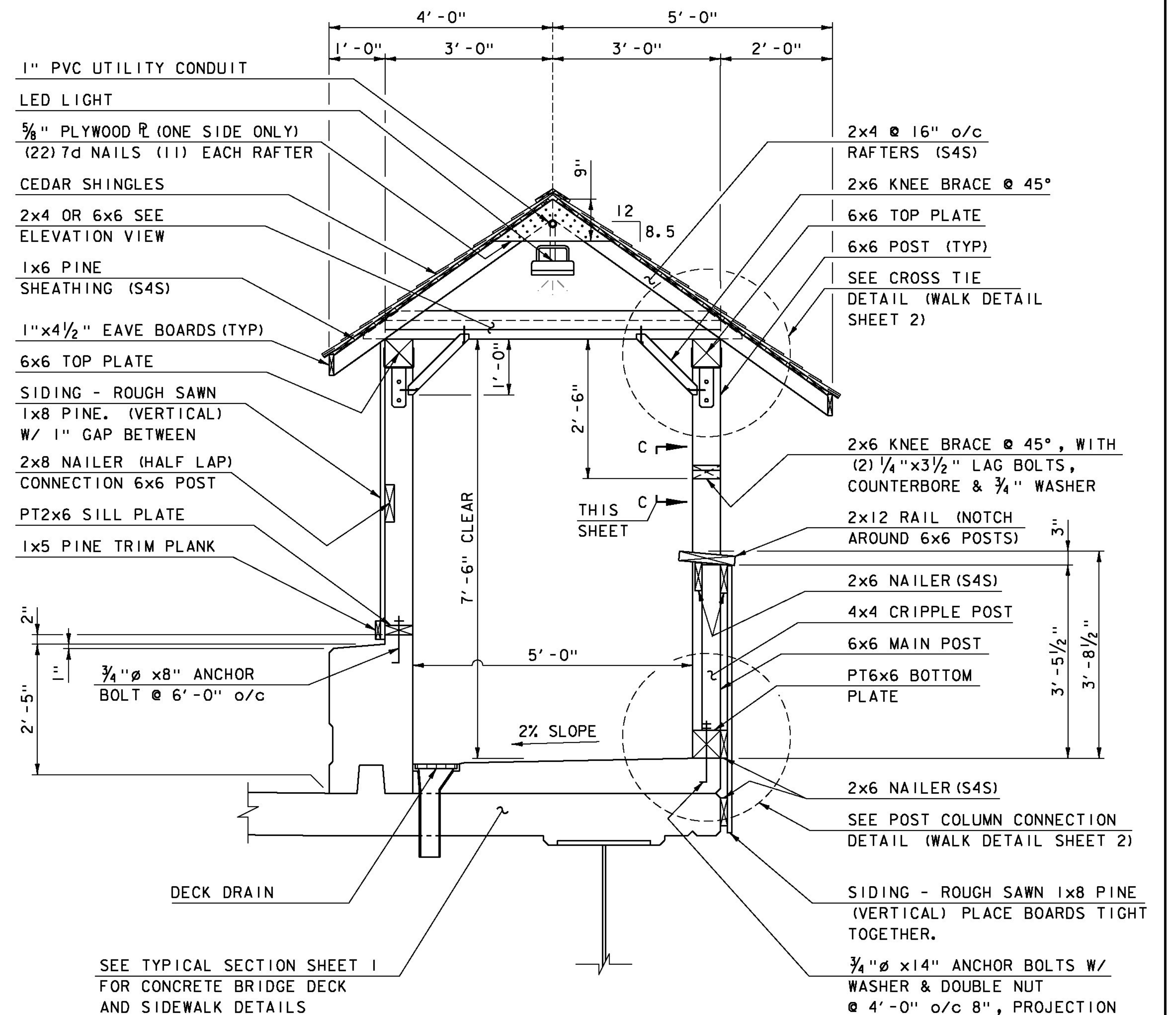
PLANK RAIL PLAN DETAIL



PLANK RAIL CONNECTION DETAIL

SCALE: 3/4" = 1'-0"

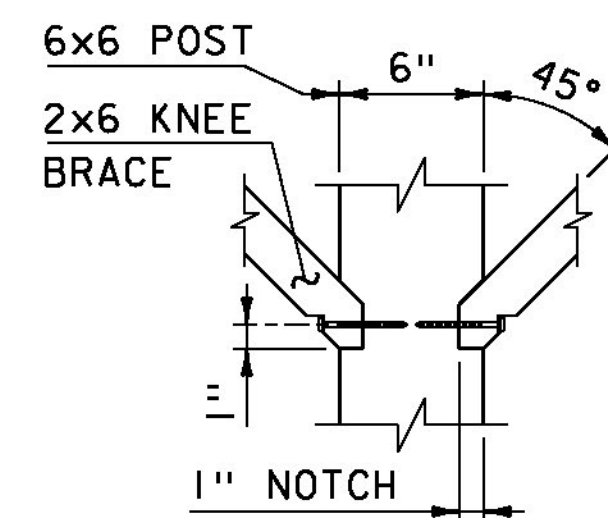
- 1) PLANK RAIL WILL BE PAID FOR UNDER CONTRACT ITEM 621.15.
- 2) THE PT4x4 AND (4) 1/2"x7" LAG BOLTS WILL BE INCLUDED IN THE COVERED WALKWAY SPECIAL PROVISION ITEM.



SECTION B-B

SCALE: 3/4" = 1'-0"

- 1) SEE WALK FRAMING PLAN & ELEVATIONS SHEET FOR ADDITIONAL NOTES AND CONNECTIONS REQUIREMENTS.



SECTION C-C

SCALE: 1/2" = 1'-0"

NOTE: DIMENSION IN INCHES UNLESS OTHERWISE NOTED.

PROJECT NAME:	STOWE
PROJECT NUMBER:	BRF 0235 (II)
FILE NAME:	s87e052walk.dgn
PROJECT LEADER:	C. CARLSON
DESIGNED BY:	D. PETERSON
WALK DETAIL SHEET 1	
PLOT DATE:	28-JUL-2014
DRAWN BY:	M. LONGSTREET
CHECKED BY:	J. LACROIX
SHEET	34 OF 64