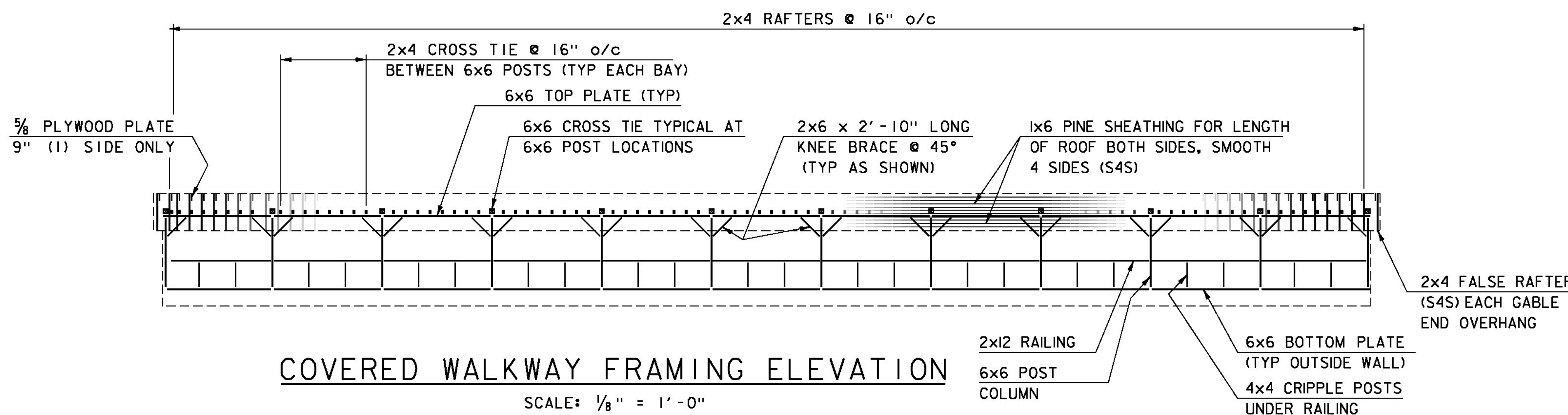


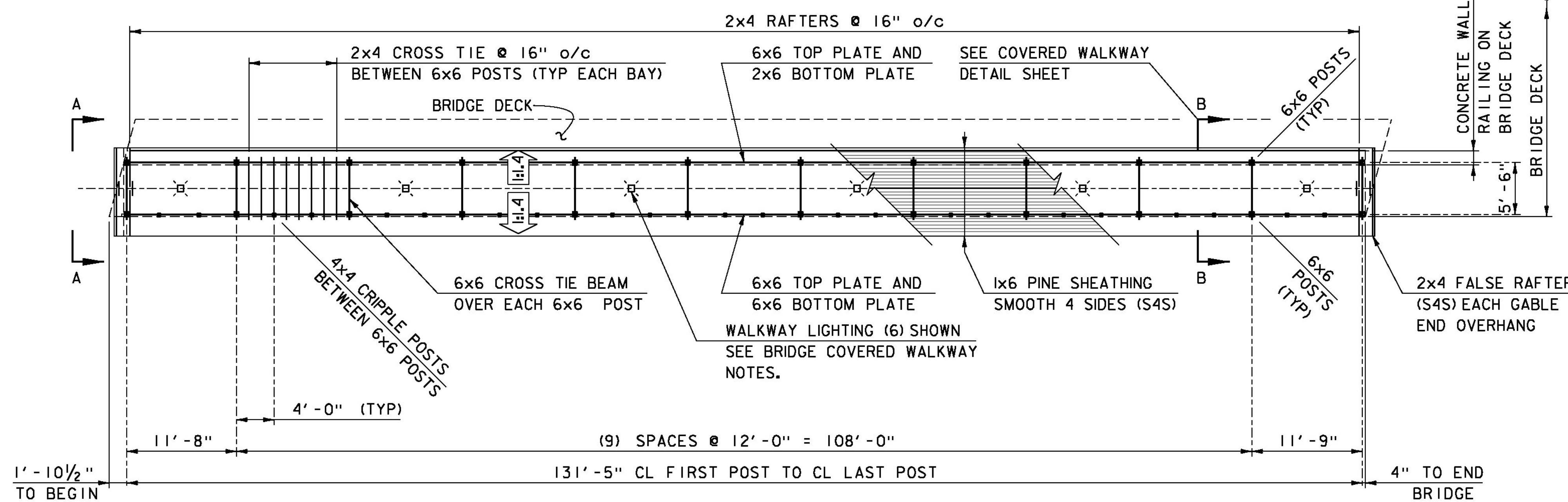
COVERED WALKWAY EAST ELEVATION

SCALE: 1/8" = 1'-0" (LOOKING WEST)



COVERED WALKWAY FRAMING ELEVATION

SCALE: 1/8" = 1'-0"



COVERED WALKWAY FRAMING PLAN

SCALE: 1/8" = 1'-0"

BRIDGE COVERED WALKWAY NOTES:

- 1) ALL LUMBER IN WOODEN WALKWAY SHALL BE FULL SAWN, ROUGH FINISH, EXCEPT AS NOTED, SMOOTH 4 SIDES (S4S) FINISHED DIMENSION FOR DRESSED LUMBER.
- 2) STRUCTURAL POST, GIRDERS, AND BRACING SHALL BE FULL SAWN, ROUGH FINISH, EASTERN SPRUCE GRADE NO.1, UNLESS NOTED OTHERWISE ON PLANS.
- 3) THE PINE BOARD SIDING SHALL BE FULL SAWN, ROUGH FINISH, EASTERN WHITE PINE GRADE NO.1. THE SIDING SHALL BE PLACED VERTICALLY, PERPENDICULAR TO BRIDGE GRADE, WITH A 1" GAP BETWEEN EACH BOARD.
- 4) PINE SHEATHING ON THE ROOF SHALL BE 1x6 NUMBER 2 PINE OR BETTER.
- 5) ALL EXTERIOR SIDING, TRIM AND ROOF SHEETING NAILS SHALL BE 2 1/2" STAINLESS STEEL SIDING NAILS.
- 6) ROOFING SHALL BE RED CEDAR SHINGLES, 18" NUMBER 2 GRADE, RED LABEL.
- 7) USE 1 1/2" 14 GAUGE DOUBLE HOT-DIP GALVANIZED CEDAR SHINGLE AND SHAKE NAILS FOR ROOF SHINGLES, (2) NAILS PER SINGLE.
- 8) FINISH - THE CEDAR SHINGLES SHALL BE LEFT NATURAL. ALL OTHER EXTERIOR SURFACES SHALL BE GIVEN TWO COATS OF BLEACHING OIL IN ACCORDANCE WITH THE MANUFACTURER SPECIFICATIONS. ANY FIRE RETARDANTS SHALL BE APPLIED AFTER BLEACHING OILS ARE APPLIED. SEE GENERAL NOTES SHEET FOR FIRE RETARDANT APPLICATIONS.
- 9) THE WOOD AND TIMBER COVERED WALKWAY WILL BE PAID FOR UNDER ITEM 900.645 SPECIAL PROVISION (COVERED WALKWAY).
- 10) THE BARRIER WALL IS NOT CONSIDERED PART OF THE COVERED WALKWAY IT WILL BE CONSTRUCTED AS A SEPARATE ITEM.
- 11) LIGHT FIXTURES AND WIRING ON COVERED WALKWAY SHALL BE PAID FOR UNDER ITEM 900.645 SPECIAL PROVISION (COVERED WALKWAY).
- 12) SIX 29 WATT (MIN.) LED LIGHT FIXTURES SHALL BE INSTALLED IN THE BAYS SHOWN IN THE THE COVERED WALKWAY FRAMING PLAN.
- 13) ALL TIMBER MEMBER CONNECTIONS NOT SPECIFICALLY DETAILED IN THE PLANS SHALL FOLLOW STANDARD WOOD FRAMING PRACTICES, AS APPROVED BY THE RESIDENT ENGINEER.
- 14) PRESSURE TREATED (PT) SILL AND BOTTOM PLATES SHALL BE FULL SAWN, ROUGH FINISH.
- 15) ALL 1/4" LAG BOLTS SHALL BE ZINC PLATED, HEX HEAD LAG SCREWS WITH A 3/4" WASHER, OR EQUIVALENT STRUCTURAL WOOD SCREW.
- 16) ANY AND ALL BOLTS USED SHALL HAVE APPROPRIATELY SIZED PILOT HOLES DRILLED TO INSURE PROPER THREAD GRIP AND PREVENT FRAMING MEMBERS FROM DAMAGE.
- 17) ALL DIMENSIONS SHOWN FOR COVERED WALKWAY WOOD FRAMING AND WOOD SHEETING ARE IN INCHES UNLESS OTHERWISE NOTED.

NOTE: DIMENSION IN INCHES UNLESS OTHERWISE NOTED.

PROJECT NAME:	STOWE
PROJECT NUMBER:	BRF 0235 (II)
FILE NAME:	s87e052walk.dgn
PROJECT LEADER:	C. CARLSON
DESIGNED BY:	D. PETERSON
WALK FRAMING PLAN & ELEVATIONS	
PLOT DATE:	28-JUL-2014
DRAWN BY:	M. LONGSTREET
CHECKED BY:	J. LACROIX
SHEET	33 OF 64