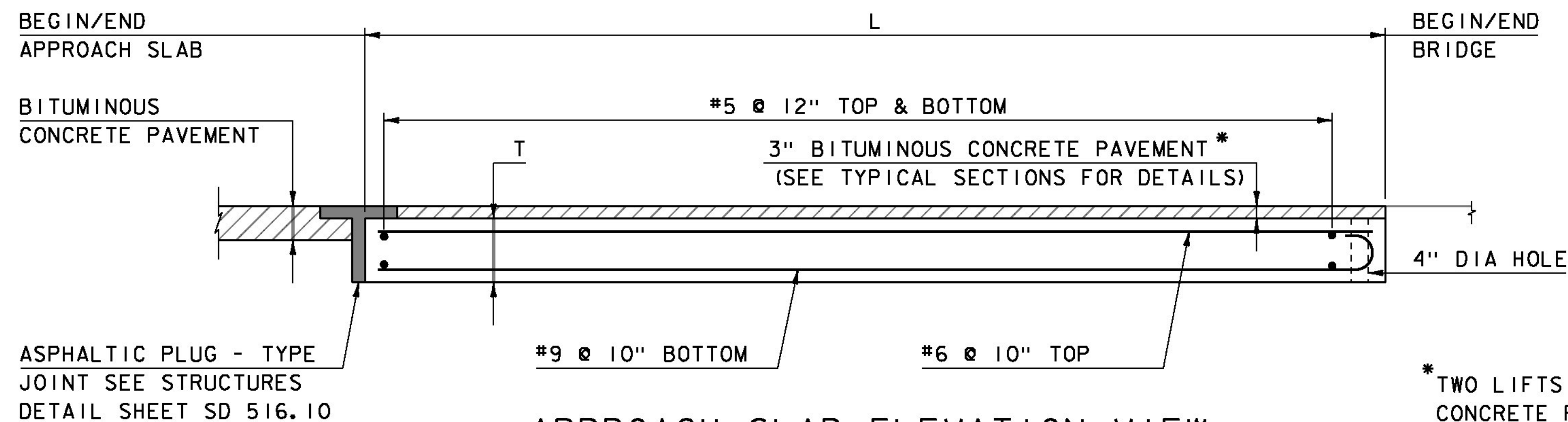


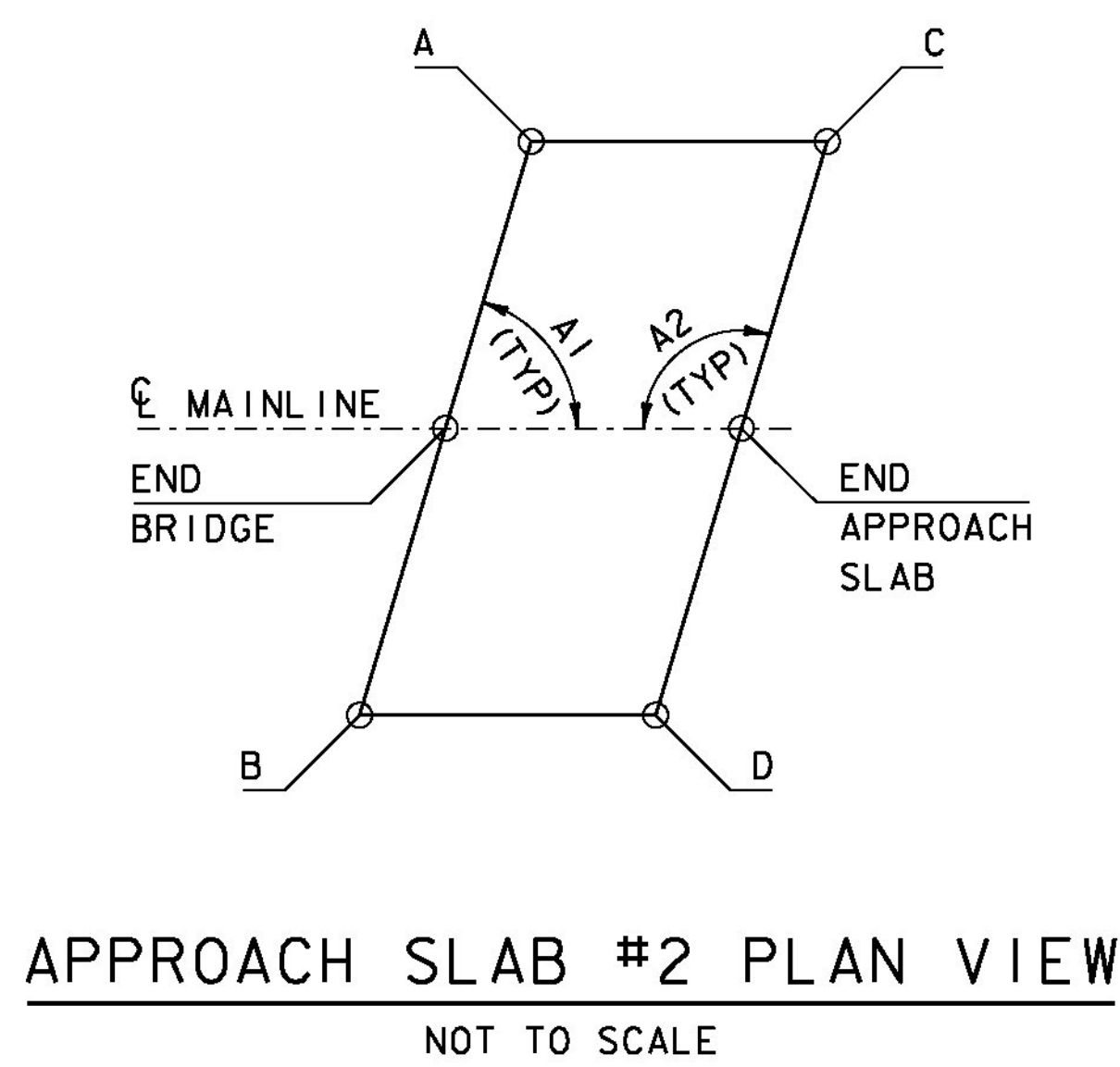
APPROACH SLAB #1 PLAN VIEW
NOT TO SCALE

- LIFTING POINTS SHALL BE DESIGNED BY FABRICATOR AND SUBMITTED WITH CALCULATIONS.
- REINFORCING STEEL FOR APPROACH SLAB #2 SHALL BE SIMILAR TO THAT SHOWN FOR APPROACH SLAB #1
- CLOSURE POUR CONCRETE SHALL BE PAID FOR UNDER ITEM 900.608 SPECIAL PROVISION (HIGH PERFORMANCE CONCRETE, RAPID SET) (FPQ)
- APPROACH SLAB #1 HAS A WATER MAIN GATE VALVE BLOCK-OUT OPENING, THE BLOCK-OUT LOCATION AND SIZE IS TO BE FIELD VERIFIED PRIOR TO FABRICATION.

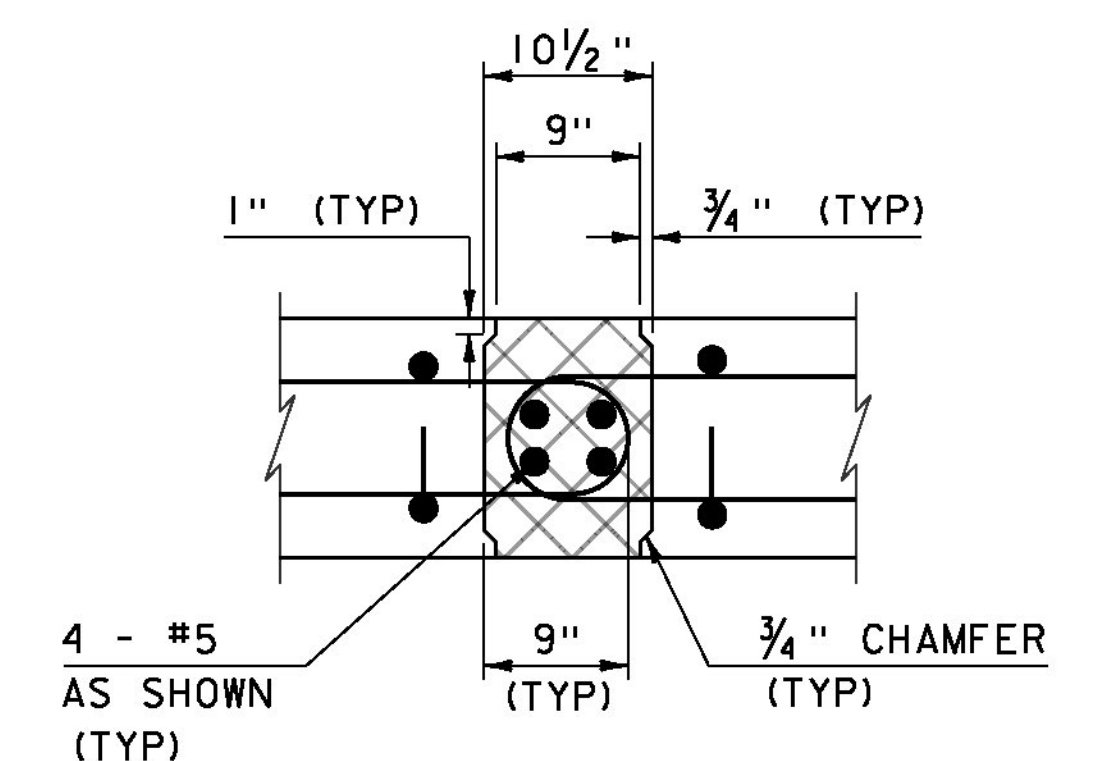


APPROACH SLAB ELEVATION VIEW
SCALE 1/2" = 1'-0"

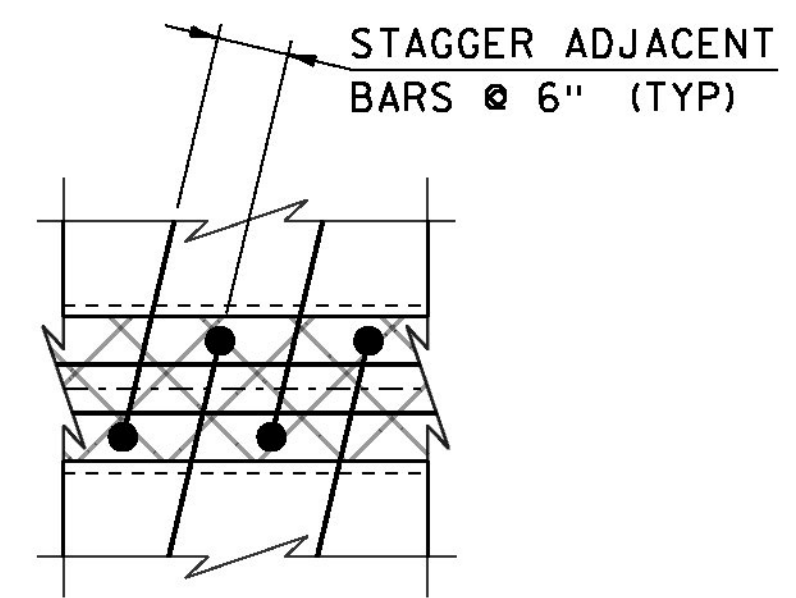
* TWO LIFTS OF 1 1/2 BITUMINOUS CONCRETE PAVEMENT TYPE IIIS



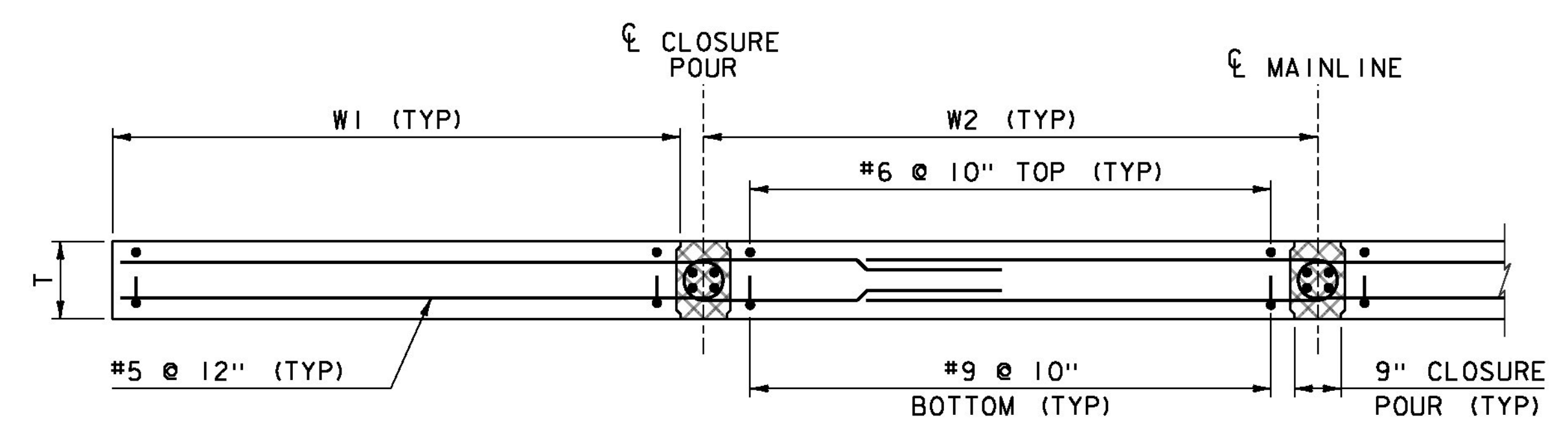
APPROACH SLAB #2 PLAN VIEW
NOT TO SCALE



CONNECTION DETAIL SECTION
SCALE 1" = 1'-0"



CONNECTION DETAIL PLAN
SCALE 1" = 1'-0"



SECTION A-A
SCALE 1/2" = 1'-0"

APPROACH SLAB #1			
	STATION	OFFSET	ELEVATION
1A	3+30.97	14.00	711.09
BEGIN AS #1	3+27.22	0.00	711.52
1B	3+22.89	16.17	711.89
1C	3+50.97	14.00	711.85
END AS #1	3+47.22	0.00	711.92
1D	3+42.89	16.17	711.17

APPROACH SLAB #2			
	STATION	OFFSET	ELEVATION
2A	4+82.53	14.00	714.48
BEGIN AS #2	4+78.78	0.00	714.55
2B	4+74.44	16.17	714.30
2C	5+02.86	13.95	714.88
END AS #2	4+98.78	0.00	714.95
2D	4+94.44	16.17	714.69

T	1'-3"
L	20'-0"
W1-R	8'-1"
W2-R	8'-1"
W1-L	7'-0"
W2-L	7'-0"

APPROACH SLAB #1		
A1		75°
A2		105°

APPROACH SLAB #2		
A1		75°
A2		105°

APPROACH SLAB DIMENSIONS

APPROACH SLAB ELEVATIONS

ALL ELEVATIONS ARE TOP OF SLAB

NOTE:
 NF = NEAR FACE
 FF = FAR FACE
 EF = EACH FACE
 3" CLEAR, UNLESS OTHERWISE SPECIFIED ON THE PLANS.
 2'-7" BAR LAP UNLESS OTHERWISE SPECIFIED ON THE PLANS.

PROJECT NAME:	STOWE	FILE NAME:	s87E052appslab.dgn	PLOT DATE:	28-JUL-2014
PROJECT NUMBER:	BRF 0235 (II)	PROJECT LEADER:	C. CARLSON	DRAWN BY:	D. KARABEGOVIC
		DESIGNED BY:	D. PETERSON	CHECKED BY:	J. LACROIX
		APPROACH SLAB DETAILS			SHEET 32 OF 64