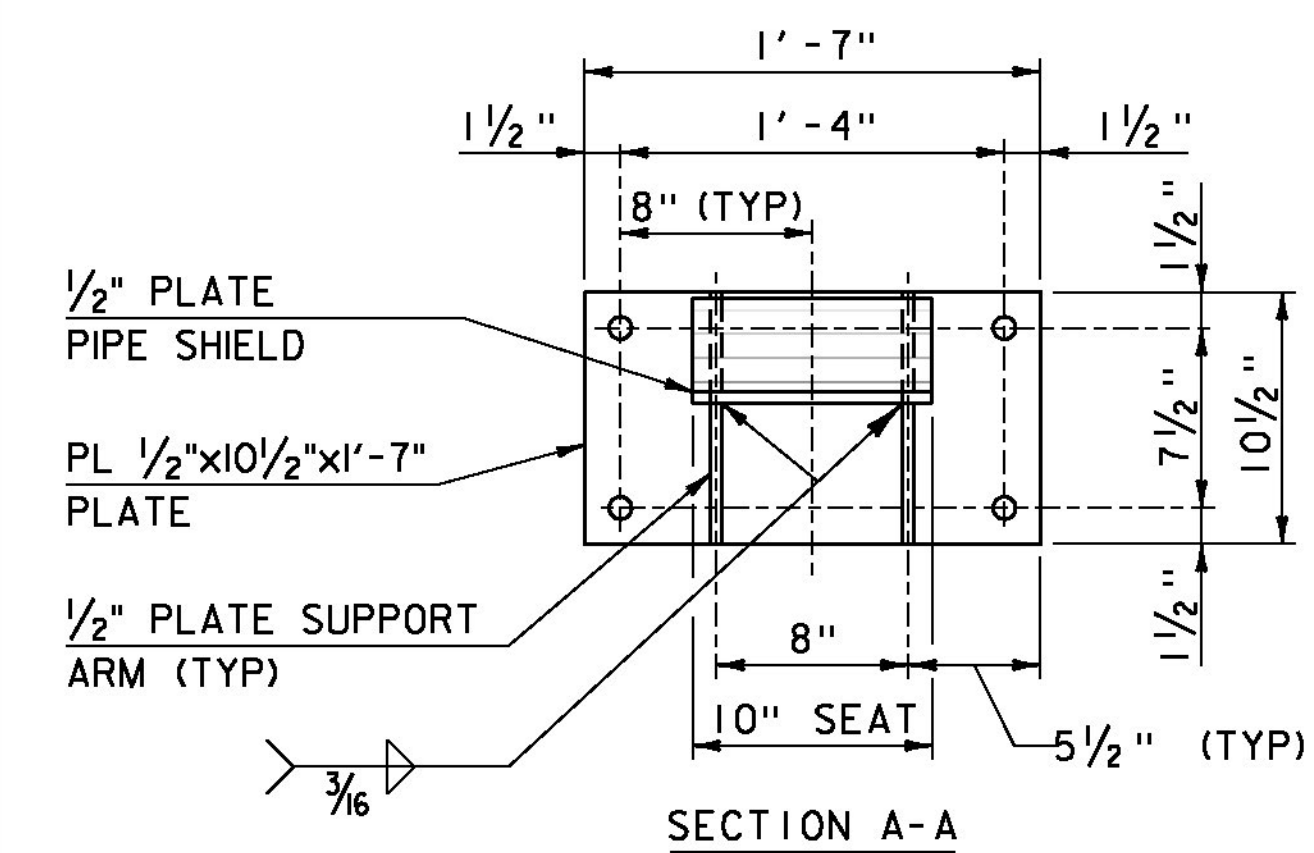
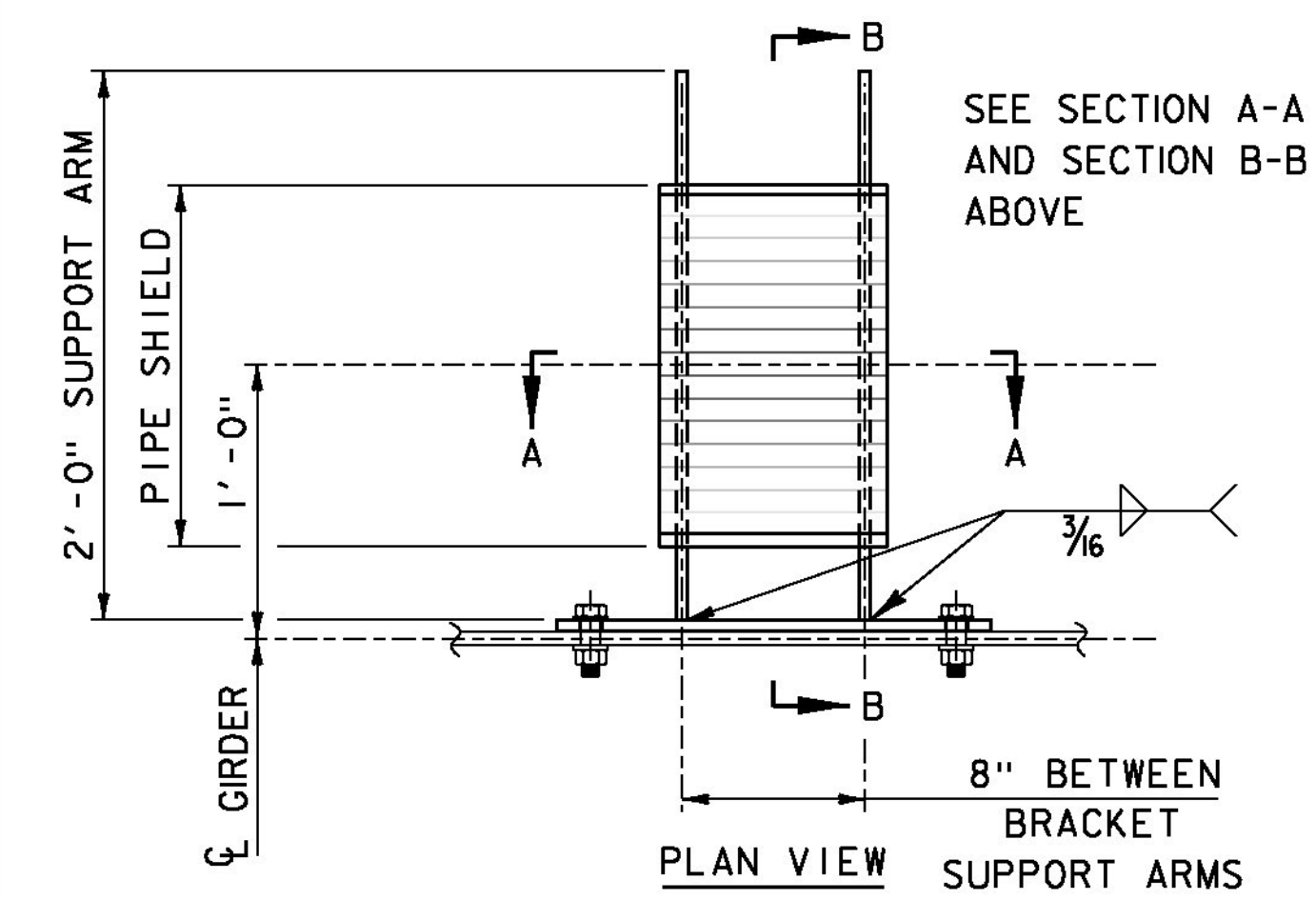


SECTION B-B

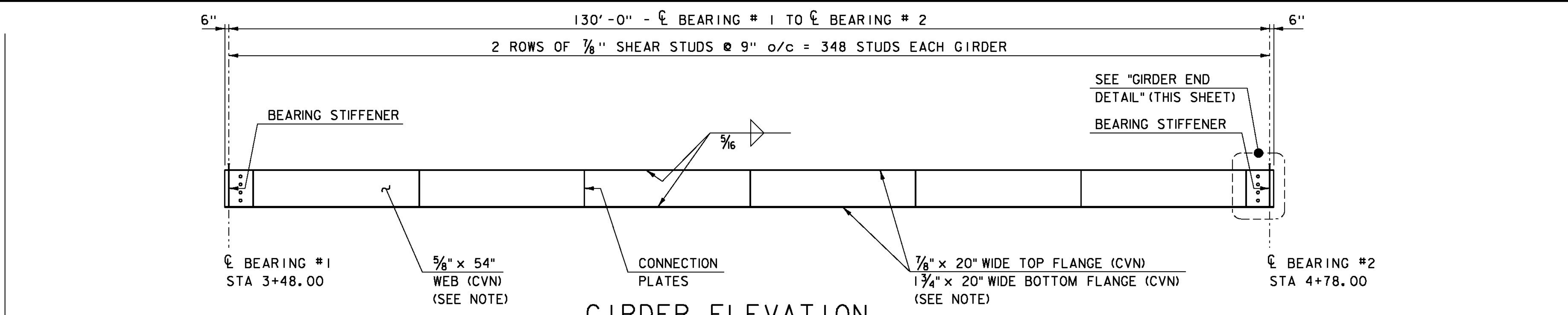


SECTION A-A



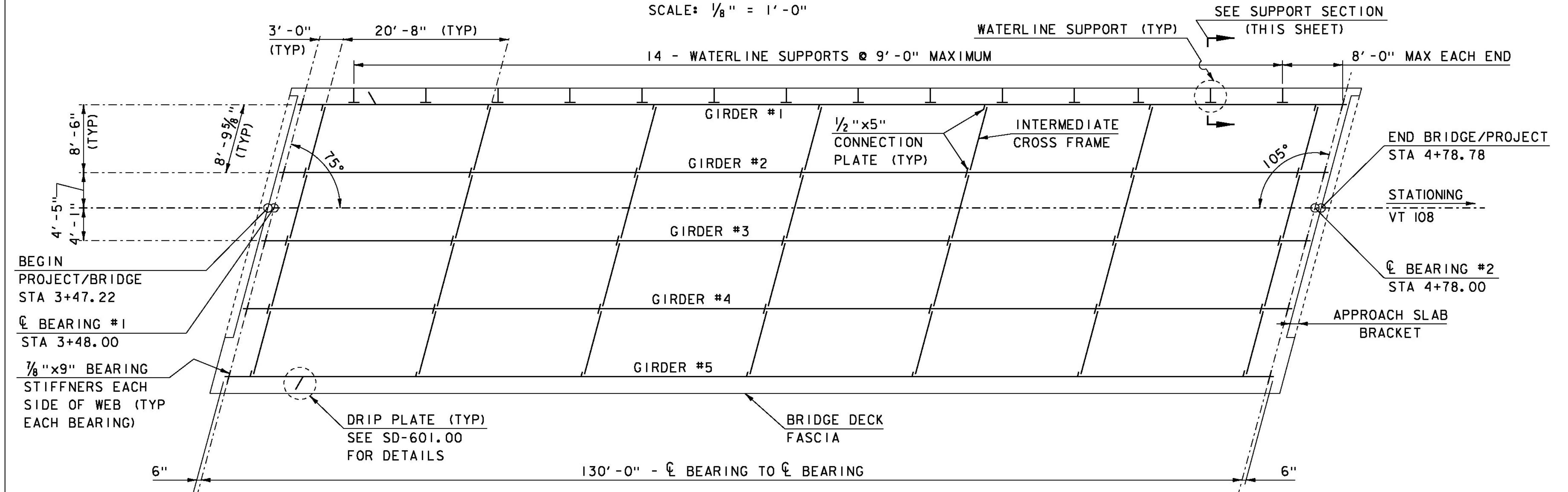
BRACKET DETAILS

SCALE: 1/2" = 1'-0"



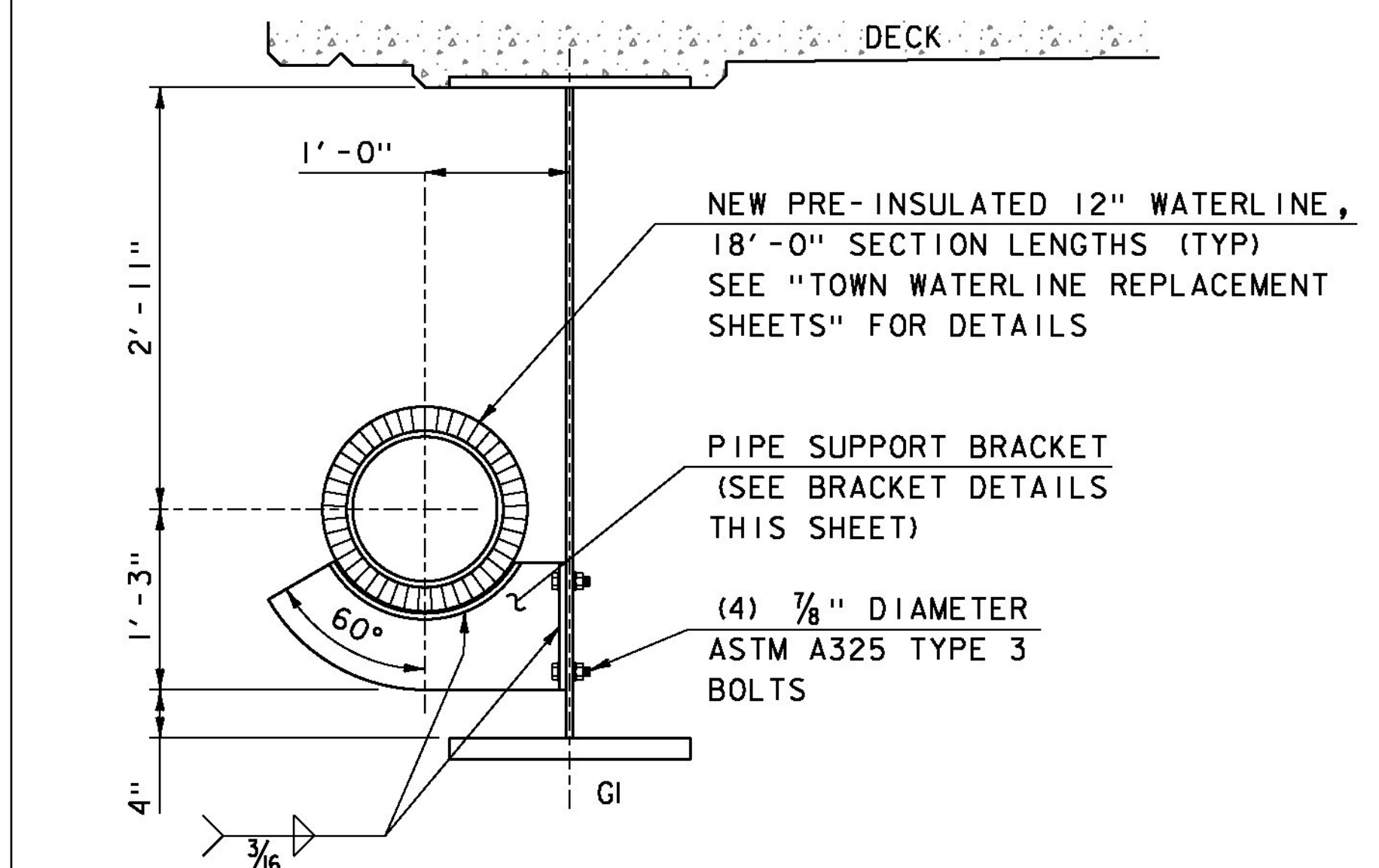
GIRDER ELEVATION

SCALE: 1/8" = 1'-0"



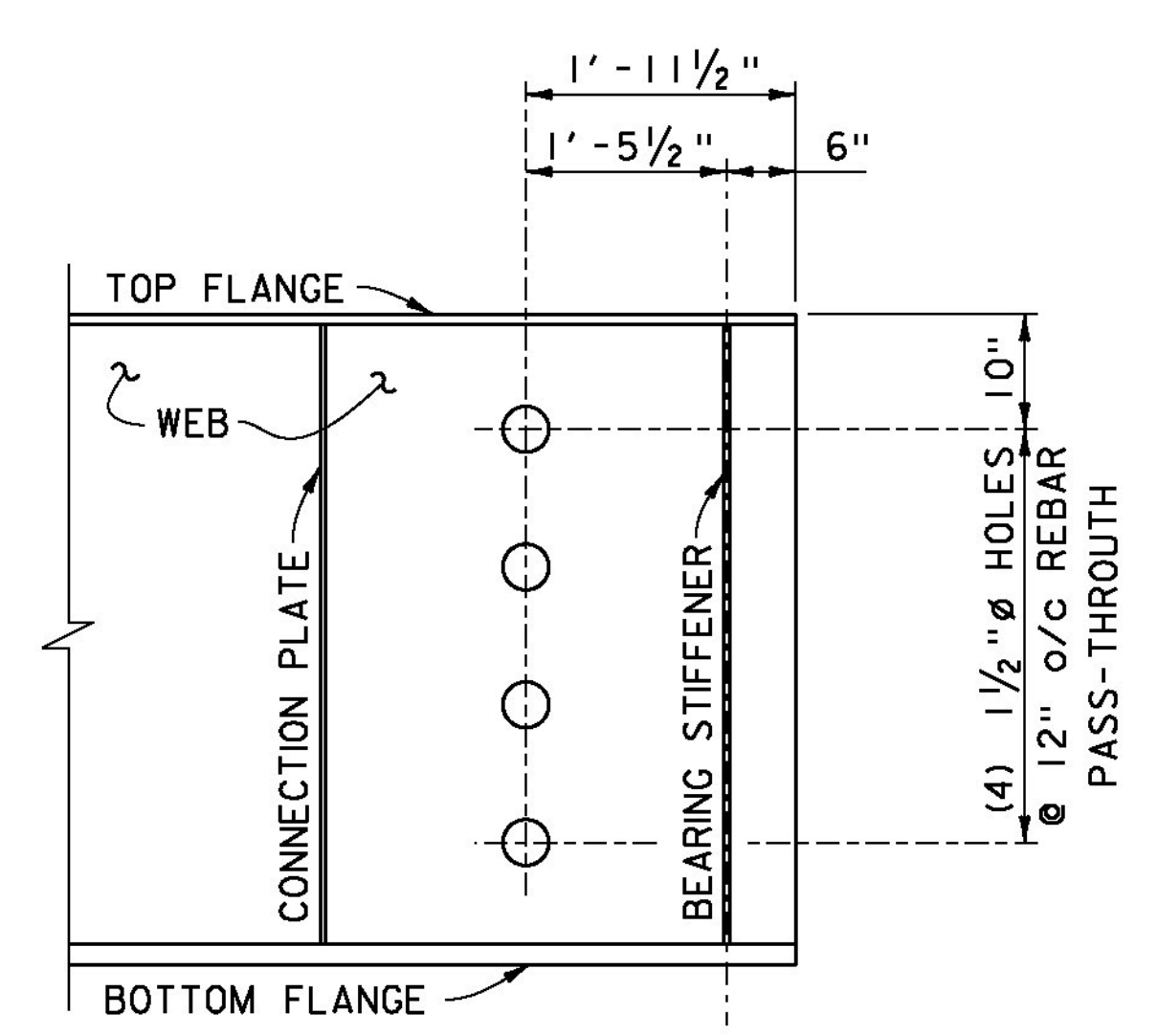
DECK FRAMING PLAN

SCALE: 1/8" = 1'-0"



SUPPORT SECTION

SCALE 1" = 1'-0"



GIRDER END DETAIL

SCALE: 1/2" = 1'-0"

NOTE:
CVN - SHALL MEET CHARPY V-NOTCH REQUIREMENTS FOR MAIN MEMBERS AS INDICATED IN SECTION 714 OF THE STANDARD SPECIFICATION

PROJECT NAME:	STOWE	PLOT DATE:	28-JUL-2014
PROJECT NUMBER:	BRF 0235 (II)	DRAWN BY:	D. KARABEGOVIC
FILE NAME:	s87e052sup.dgn	CHECKED BY:	M. LONGSTREET
PROJECT LEADER:	C. CARLSON	SHEET	30 OF 64
DESIGNED BY:	D. PETERSON		
FRAMING PLAN			

• DETAIL TYPICAL FOR ALL GIRDERS EACH END.