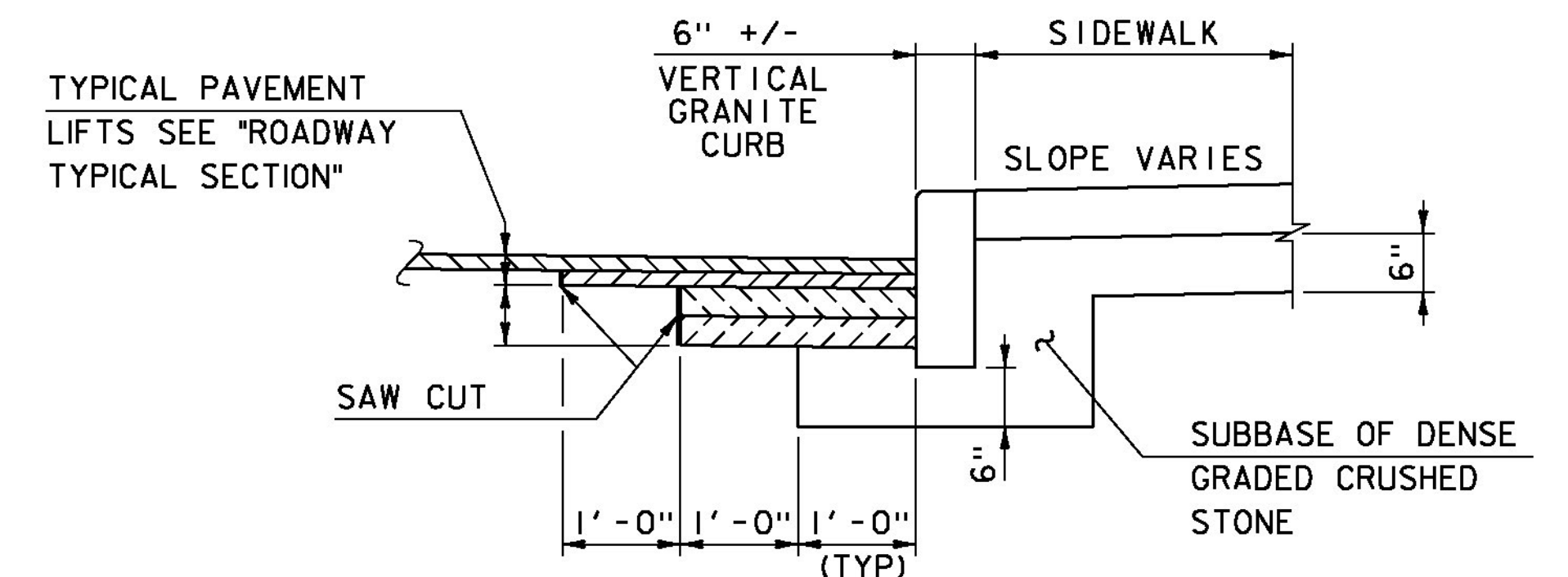


ROADWAY TYPICAL SECTION

SCALE: 3/8" = 1'-0"

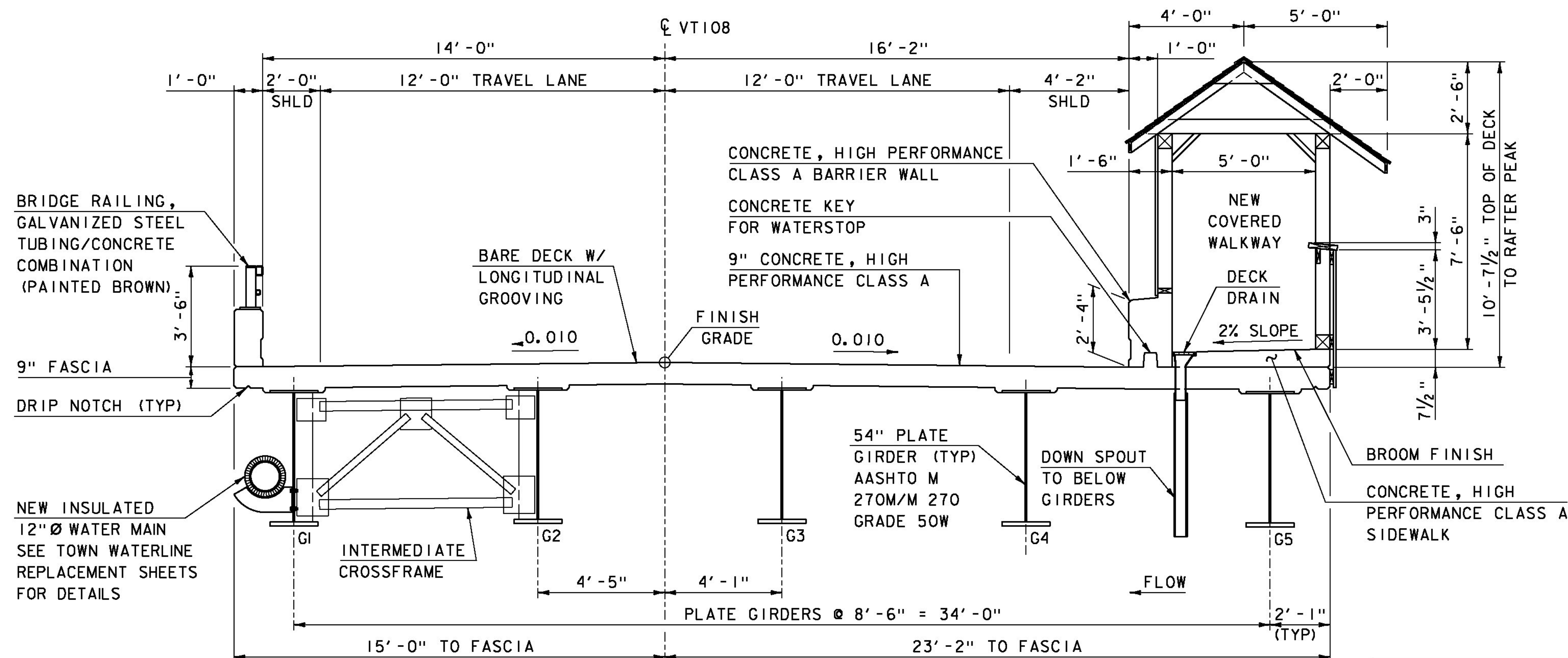
*2 LIFTS OF 1 1/2" BITUM. CONC. PAVEMENT TYPE IIIIS OVER
2 LIFTS OF 3" BITUM. CONC. PAVEMENT TYPE IS OR IIS
PAID UNDER SPECIAL PROVISION (BITUMINOUS CONCRETE
PAVEMENT, SMALL QUANTITY).



CURB & SIDEWALK TYPICAL

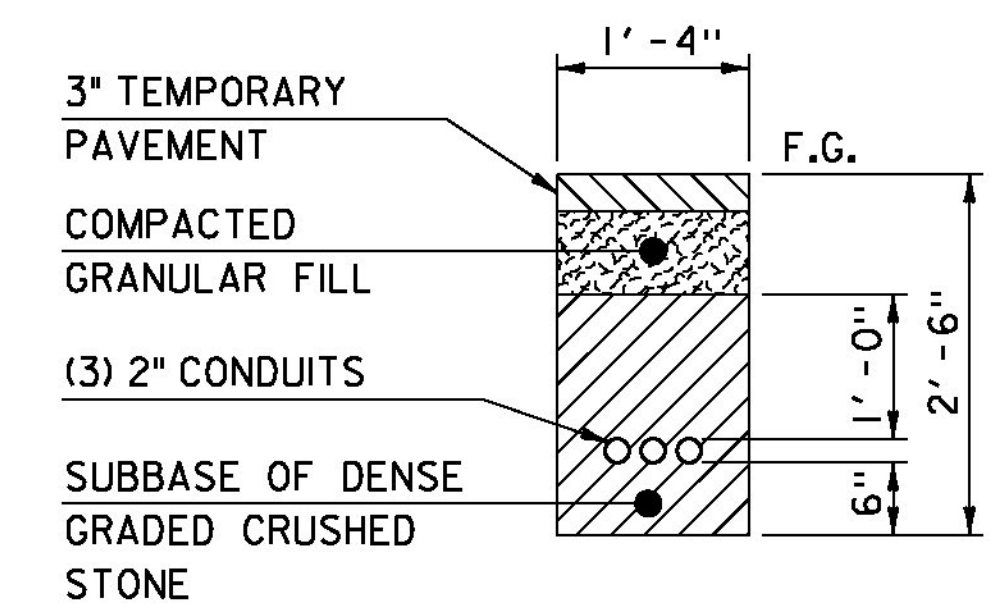
SCALE: 3/4" = 1'-0"

THIS TYPICAL SECTION APPLIES TO NEW CURB AND/OR SIDEWALK LOCATIONS WHERE THERE IS NO NEW ROADWAY SUBBASE REQUIRED. STA 2+00.00 TO STA 2+89.50 AND STA 5+37.50 TO STA 6+40.00



BRIDGE TYPICAL SECTION

SCALE: 3/8" = 1'-0"



TEMPORARY UTILITY TRENCH TYPICAL

SCALE: 3/4" = 1'-0"

MATERIAL TOLERANCES (IF USED ON PROJECT)

SURFACE	
- PAVEMENT (TOTAL THICKNESS)	+/- 1/4"
- AGGREGATE SURFACE COURSE	+/- 1/2"
SUBBASE	+/- 1"
SAND BORROW	+/- 1"

PROJECT NAME: STOWE
PROJECT NUMBER: BRF 0235 (II)

FILE NAME: s87e052+yp.dgn
PROJECT LEADER: C. CARLSON
DESIGNED BY: D. PETERSON
TYPICAL SECTIONS SHEET 1
PLOT DATE: 28-JUL-2014
DRAWN BY: M. LONGSTREET
CHECKED BY: J. LACROIX
SHEET 3 OF 64