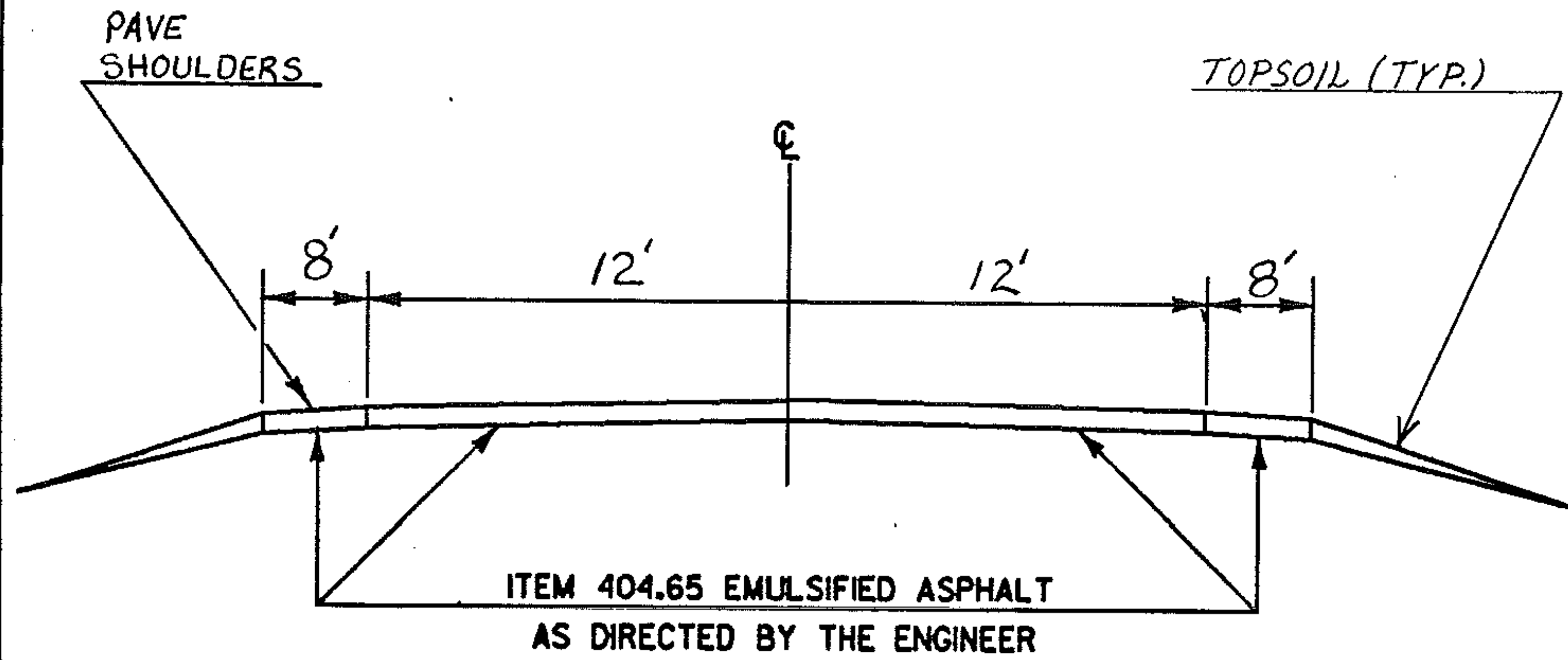


# TYPICAL SECTIONS & DESIGN DATA

ITEM 406.25 BITUMINOUS CONCRETE PAVEMENT  
 LEVELING COURSE TYPE IV (455 TONS/MILE)  
 1/2" WEARING COURSE TYPE III ( $\pm 1/4"$ )  
 AS DIRECTED BY THE ENGINEER



US 7 COLCHESTER MM 6.853 ~ MM 6.960  
 MILTON MM 0.000 ~ MM 1.446

$v = 50 \text{ mph}$