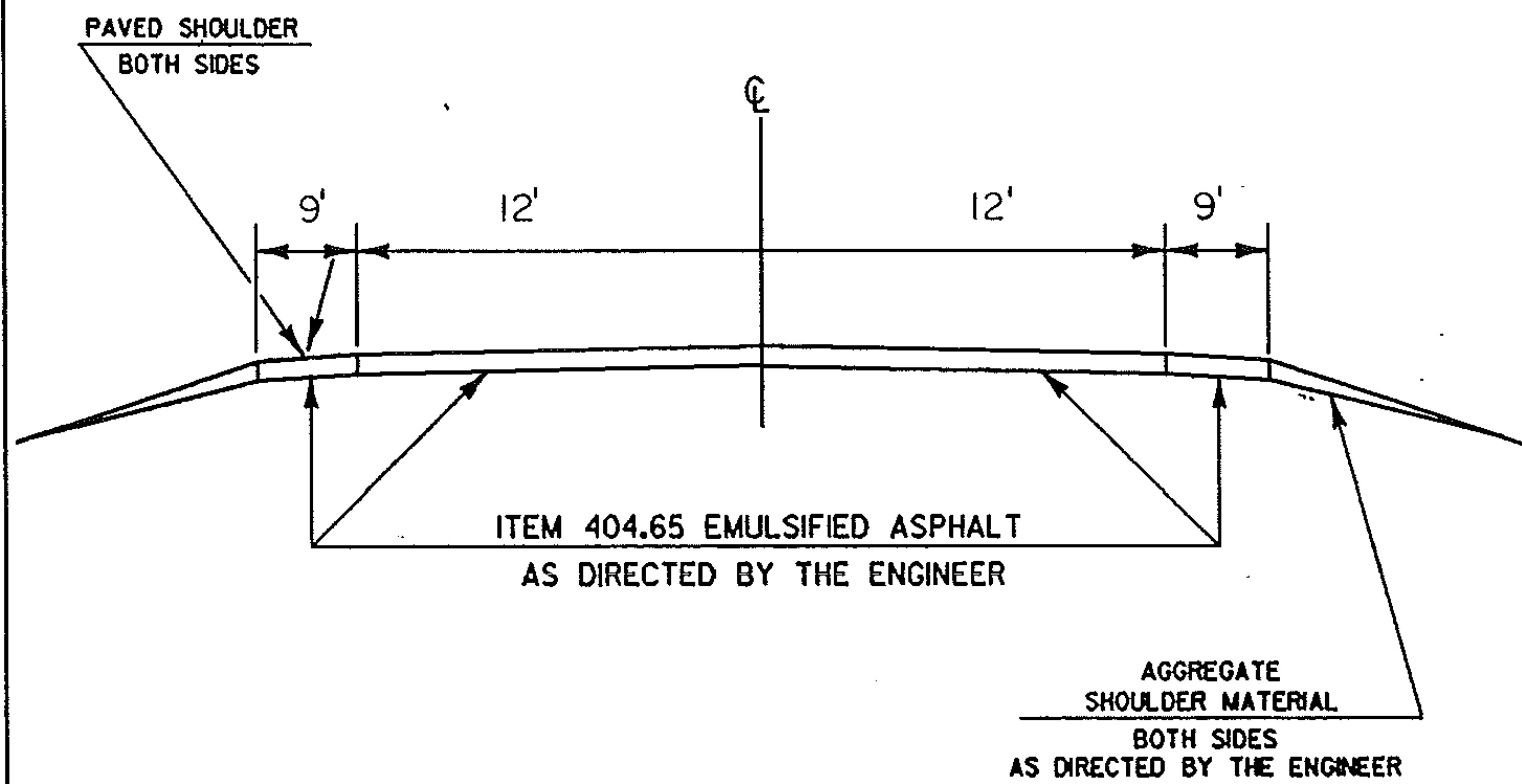


# TYPICAL SECTIONS & DESIGN DATA

ITEM 406.25 BITUMINOUS CONCRETE PAVEMENT  
LEVELING COURSE TYPE III OR IV (475 TONS/MILE)  
1 1/4" WEARING COURSE, TYPE III ( $\pm 1/4"$ )



VT. 103 CAVENDISH M.M. 1.931 - M.M. 2.931

PROJECT CAVENDISH

NO. F025-1(32)S

SHEET 7 OF 33 SHEETS