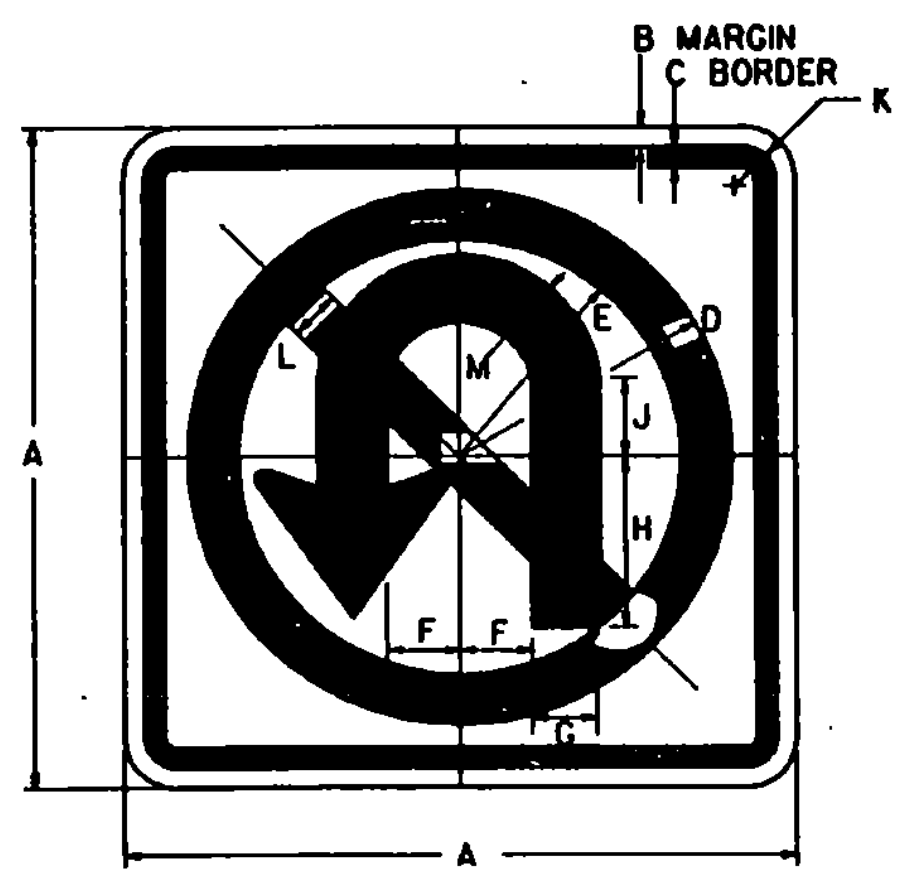


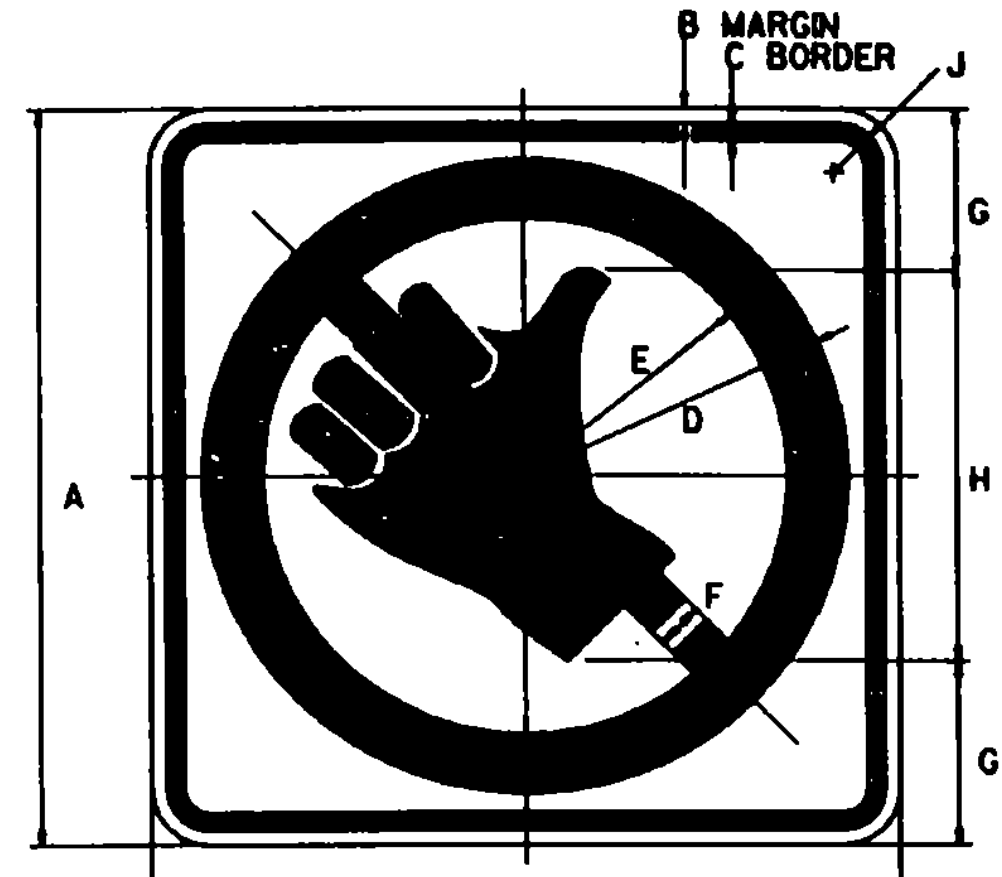
CIRCLE AND DIAGONAL - RED (REFL - RURAL)
 SYMBOL AND BORDER - BLACK (NON - REFL)
 BACKGROUND - WHITE (REFL - RURAL)

SIGN	DIMENSIONS (INCHES)										
	A	B	C	D	E	F	G	H	J	K	L
URBAN MIN. AND STD.	12	3/8	3/8	3	6E(M)	4 1/2	3 1/2	1	1/2		
RURAL MIN. AND STD.	24	3/8	3/8	6	12E(M)	10 1/2	8 1/2	2	1 1/2		
EXPWY.	36	3/8	3/8	9	18E(M)	15 3/4	12 3/4	3	2 1/4		
FWY.	48	3/4	1/4	12	24E(M)	21	17	4	3		



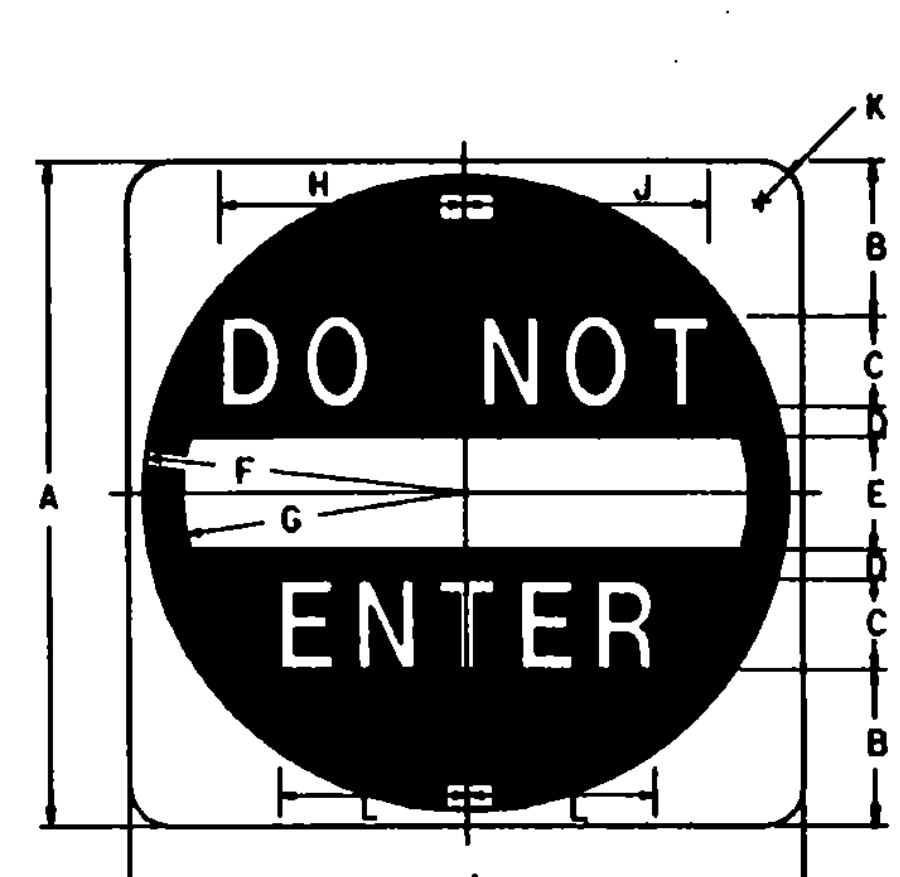
CIRCLE AND DIAGONAL - RED (REFL)
 ARROW AND BORDER - BLACK (NON - REFL)
 BACKGROUND - WHITE (REFL)

SIGN	DIMENSIONS (INCHES)												
	A	B	C	D	E	F	G	H	J	K	L	M	
MIN. AND STD.	24	3/8	3/8	10 1/2	8 1/2	2 1/2	2 1/2	6	2 1/4	1 1/2	2	5	
SPECIAL	30	1/2	3/4	13 1/8	10 3/8	3 3/8	3 3/8	7 1/2	2 3/8	1 3/8	2 1/2	6 1/4	
EXPWY.	36	3/8	3/8	15 3/4	12 3/4	3 3/4	3 3/4	9	3 3/8	2 1/4	3	7 1/2	
SPECIAL	48	3/4	1/4	21	17	5	5	12	4 1/2	3	4	10	



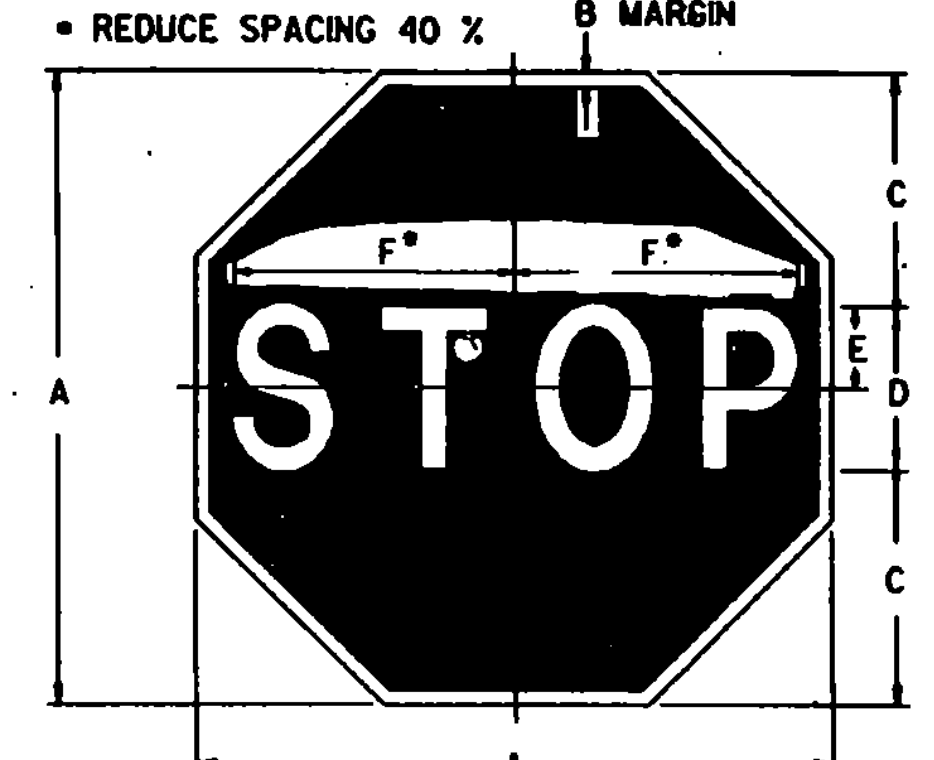
CIRCLE AND DIAGONAL - RED (REFL)
 SYMBOL AND BORDER - BLACK (NON - REFL)
 BACKGROUND - WHITE (REFL)

SIGN	DIMENSIONS (INCHES)									
	A	B	C	D	E	F	G	H	J	L
MIN.	18	3/8	3/8	7 1/8	6 3/8	1 1/2	3 3/4	10 1/2	1 1/2	
STD.	24	3/8	3/8	10 1/2	8 1/2	2	5	14	1 1/2	



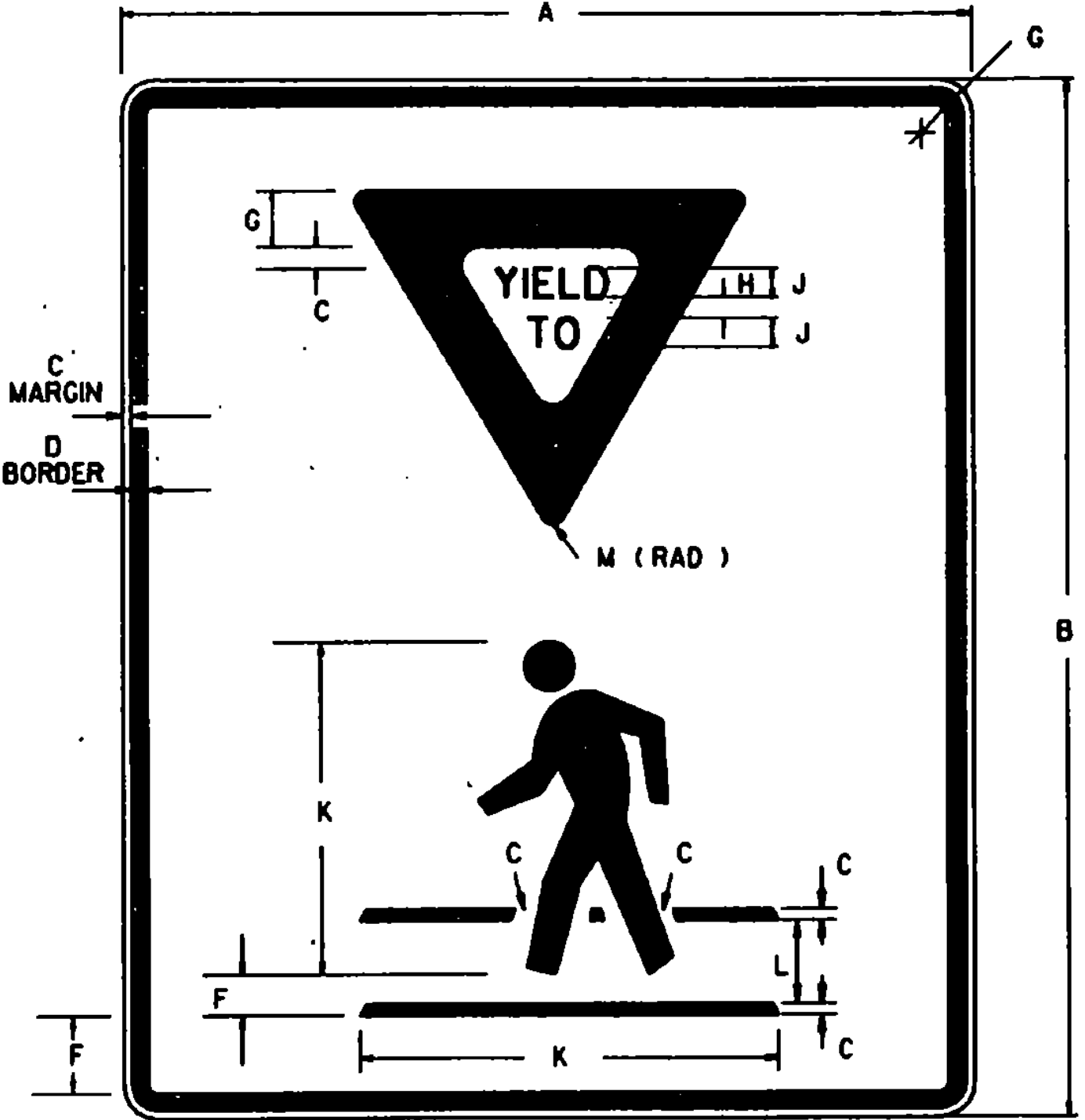
CIRCLE AND DIAGONAL - RED (REFL)
 SYMBOL AND BORDER - WHITE (REFL)
 ENCAPSULATED LENS

SIGN	DIMENSIONS (INCHES)											
	A	B	C	D	E	F	G	H	J	K	L	
MIN. AND STD.	30	6 1/2	4D	2	5	14 1/2	2 1/2	9 3/4	10	1 1/8	7 7/8	
EXPWY.	36	7 1/2	5D	2 1/2	6	17 1/2	3	12	12 3/8	2 1/4	9 1/16	
SPECIAL	48	11	6D	3	8	23 1/2	4	16 1/2	15	3	11 1/4	



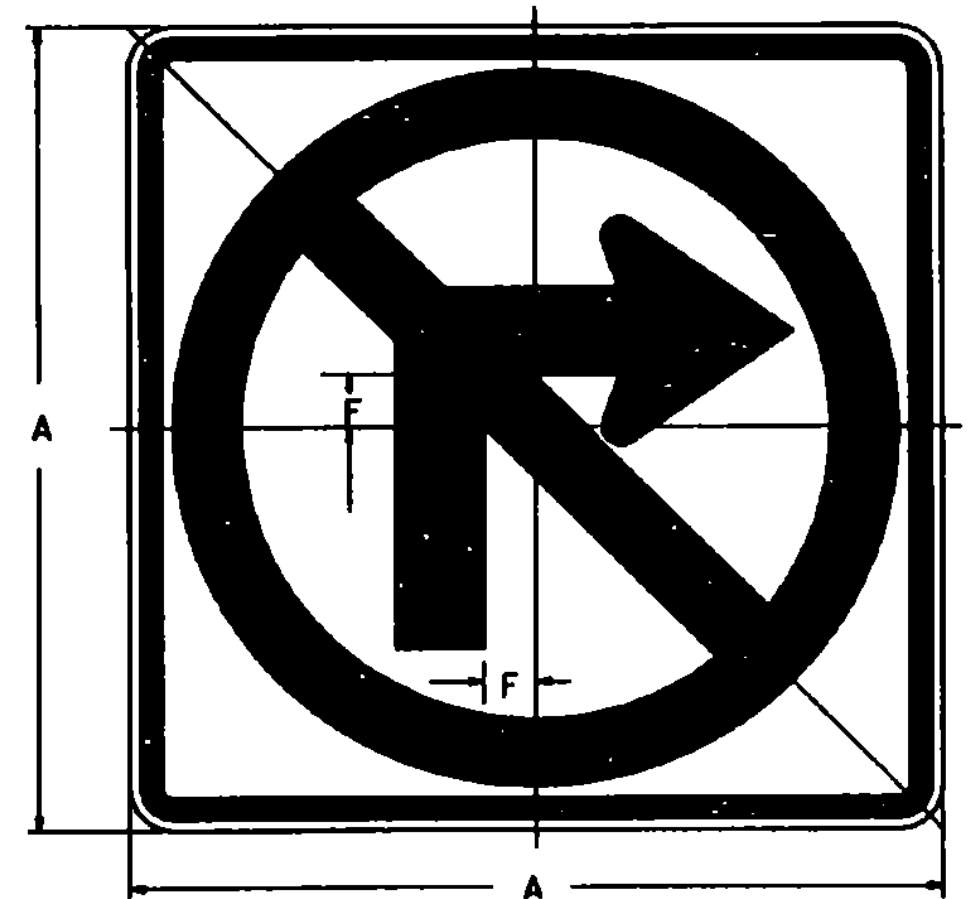
LEGEND - WHITE (REFL)
 BACKGROUND - RED (REFL)
 ENCAPSULATED LENS

SIGN	DIMENSIONS (INCHES)					
	A	B	C	D	E	F
BIKE	18	3/8	6	6C	3	7 1/4
MIN.	24	3/8	8	8C	4	10
STD.	30	3/4	10	10C	5	12 1/2
EXPWY.	36	3/8	12	12C	6	15
SPECIAL	48	1/4	16	16C	8	20



LEGEND, SYMBOL, BORDER - BLACK
 BACKGROUND - WHITE (REFL)
 TRIANGLE - RED (REFL)

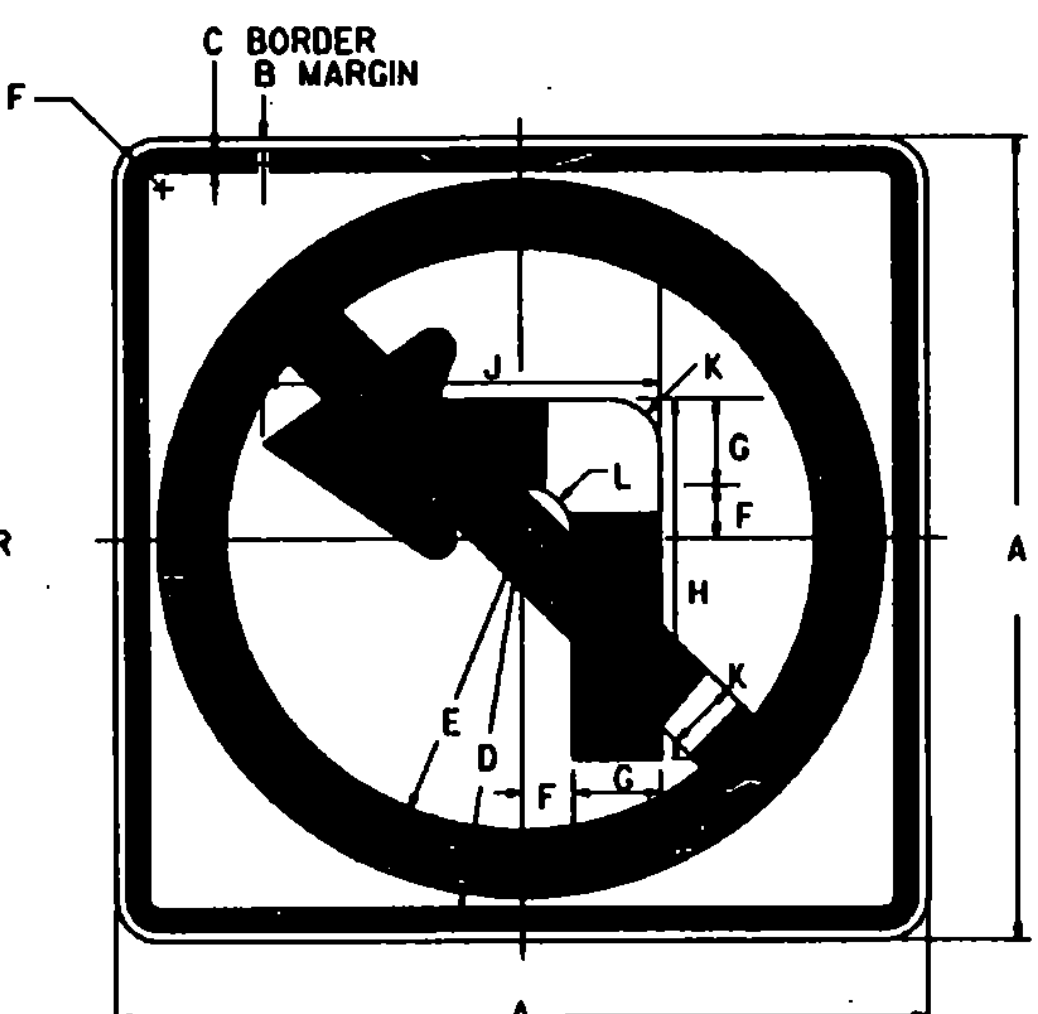
SIGN	DIMENSIONS (INCHES)										
	A	B	C	D	E	F	G	H	J	K	L
SMALL	18	24	3/8	3/8	11	3/4	1 1/8	3/8	1 1/2	9	1 3/4
LARGE	24	30	1/2	1 1/8	13 3/4	1 1/2	3/4	2	2	11 1/4	2 3/8



LEGEND - WHITE (REFL)
 BACKGROUND - RED (REFL)
 ENCAPSULATED LENS

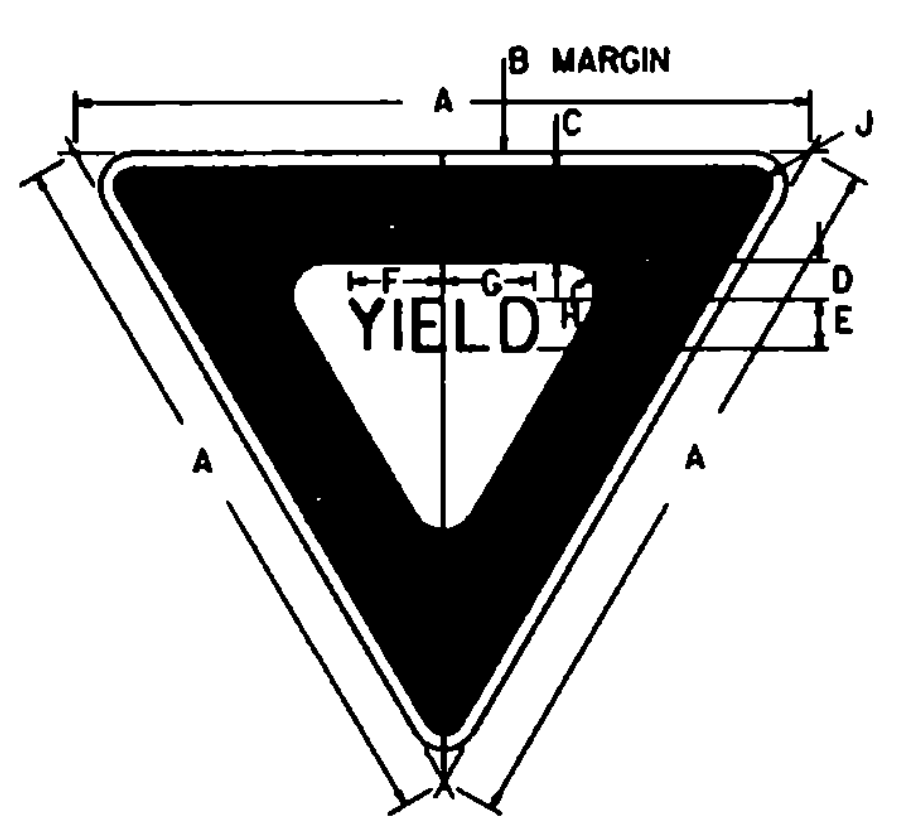
SIGN	DIMENSIONS (INCHES)									
	A	B	C	D	E	F	G	H	J	L
MIN.	30	18	3/8	3	5D	2	1 1/8	6 1/8	1 1/2	
STD.	36	24	3/4	4 1/2	6D	3	1 3/8	8 1/8	1 1/2	
SPECIAL	42	30	3/4	5	8D	4	1 7/8	10 1/4	1 1/2	

DETAILS SAME FOR EACH SIGN



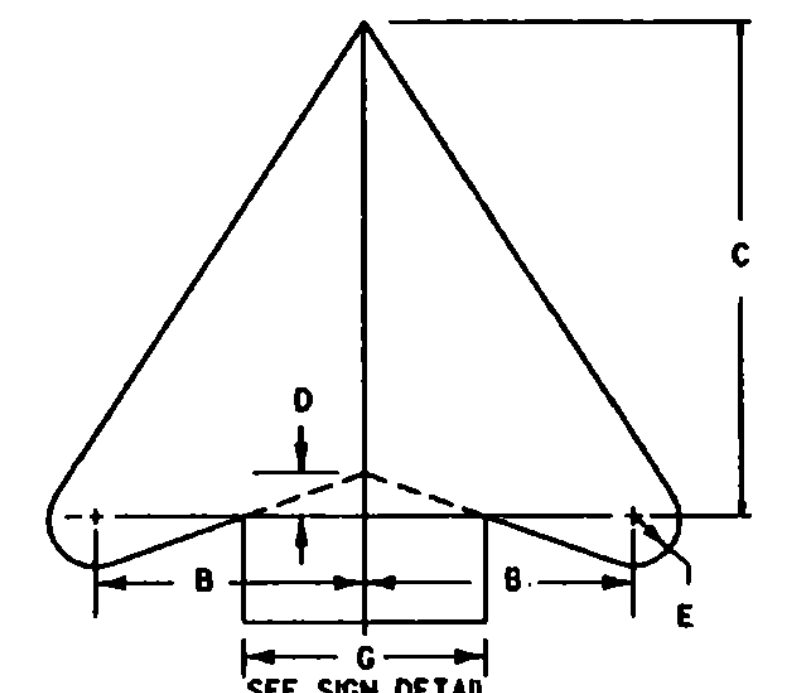
CIRCLE AND DIAGONAL - RED (REFL)
 ARROW AND BORDER - BLACK (NON - REFL)
 BACKGROUND - WHITE (REFL)

SIGN	DIMENSIONS (INCHES)									
	A	B	C	D	E	F	G	H	J	L
MIN. AND STD.	24	3/8	3/8	10 1/2	8 1/2	1 1/2	2 1/2	10 1/4	1 1/2	2 1/2
SPECIAL	30	1/2	3/4	13 1/8	10 3/8	1 1/8	3 3/8	13 1/8	1 1/4	2 3/4
EXPWY.	36	3/8	3/8	15 3/4	12 3/4	2 1/4	3 3/4	15 3/4	1 1/4	3 3/4
SPECIAL	48	3/4	1/4	21	17	3	5	21	2 3/4	4



LEGEND AND BORDER - RED (REFL)
 BACKGROUND - WHITE (REFL)
 ENCAPSULATED LENS

SIGN	DIMENSIONS (INCHES)											
	A	B	C	D	E	F	G	H	J	K	L	
BIKE	24	3/8	3	1 1/8	2C	3/4	3	3/8	1 1/2			
MIN.	30	3/8	4	1 1/4	2 1/2	3 1/8	3 3/8	3/8	1 1/2			
STD.	36	3/4	5	2	3C	4 1/8	4 3/8	1 1/4	2			
EXPWY.	48	1	6	2 3/4	4C	6 1/4	5 3/8	2	3			
SPECIAL	60	1 1/2	8	3 1/2	5C	7 3/8	7 1/4	2 1/2	4			



ARROW HEAD	DIMENSIONS (INCHES)				
	SIZE	B	C	D	E
MIN. AND STD.	24x24	2 1/8	5 1/16	3/8	1/2
SPECIAL	30x30	3 3/8	6 3/8	1/2	3/8
EXPWY.	36x36	4 1/8	7 3/8	3/4	3/4
SPECIAL	48x48	5 3/4	10 1/8	3/4	1

COLORS:
 THE REGULATORY SIGNS SHOWN ON THIS SHEET SHALL BE AS DETAILED FOR EACH SIGN. THE COLORS SHALL CONFORM WITH THE COLORS ADOPTED BY THE AMERICAN ASSOCIATION OF STATE HIGHWAY AND TRANSPORTATION OFFICIALS AND APPROVED BY THE DEPARTMENT OF TRANSPORTATION, FEDERAL HIGHWAY ADMINISTRATION.

MATERIALS:
 THE SIGN BASE MATERIALS USED FOR THE REGULATORY SIGNS SHOWN ON THIS SHEET MAY BE ANY FOLLOWING OF THE MINIMUM THICKNESS NOTED.

24" x 24"	36" x 24"	48" x 24"
30" x 30"	36" x 36"	48" x 36"
36" x 36"	48" x 48"	60" x 48"
48" x 48"	60" x 60"	72" x 60"
60" x 60"	72" x 72"	84" x 72"

ENCAPSULATED LENS REFLECTIVE SHEETING SHALL BE USED FOR THE SIGN BACKGROUND WHERE NOTED.
 THE BLACK PORTIONS OF THE SIGNS MAY BE LETTERING FILM, SILK SCREENING OR HAND PAINTED. WHEN HAND PAINTED, POOR WORKMANSHIP SHALL BE CAUSE FOR REJECTION.

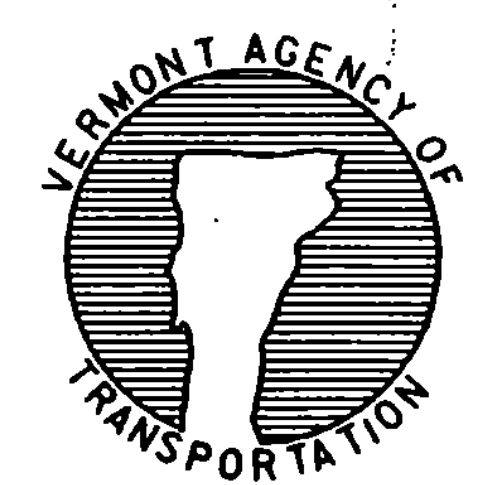
SPECIFICATIONS:
 REGULATORY SIGNS SHALL MEET THE VERMONT STANDARD SPECIFICATIONS FOR "TRAFFIC SIGNS".
 TEXT DESIGN:

LETTERS, DIGITS, ARROW, SPACINGS AND TEXT DIMENSIONS SHALL CONFORM WITH THE STANDARD ALPHABETS AND DESIGNS PRESCRIBED IN THE MANUAL ON UNIFORM TRAFFIC CONTROL DEVICES.

REVISIONS AND CORRECTIONS

APPROVED
 OCT. 30, 1987
 DATE
 David B. Kelley
 CHIEF ENGINEER
 Arthur Boss
 DIRECTOR OF PLANNING
 AND PRE-CONSTRUCTION
 Gordon B. MacArthur
 TRAFFIC AND SAFETY ENGINEER

REGULATORY SIGN DETAILS



STANDARD E-143