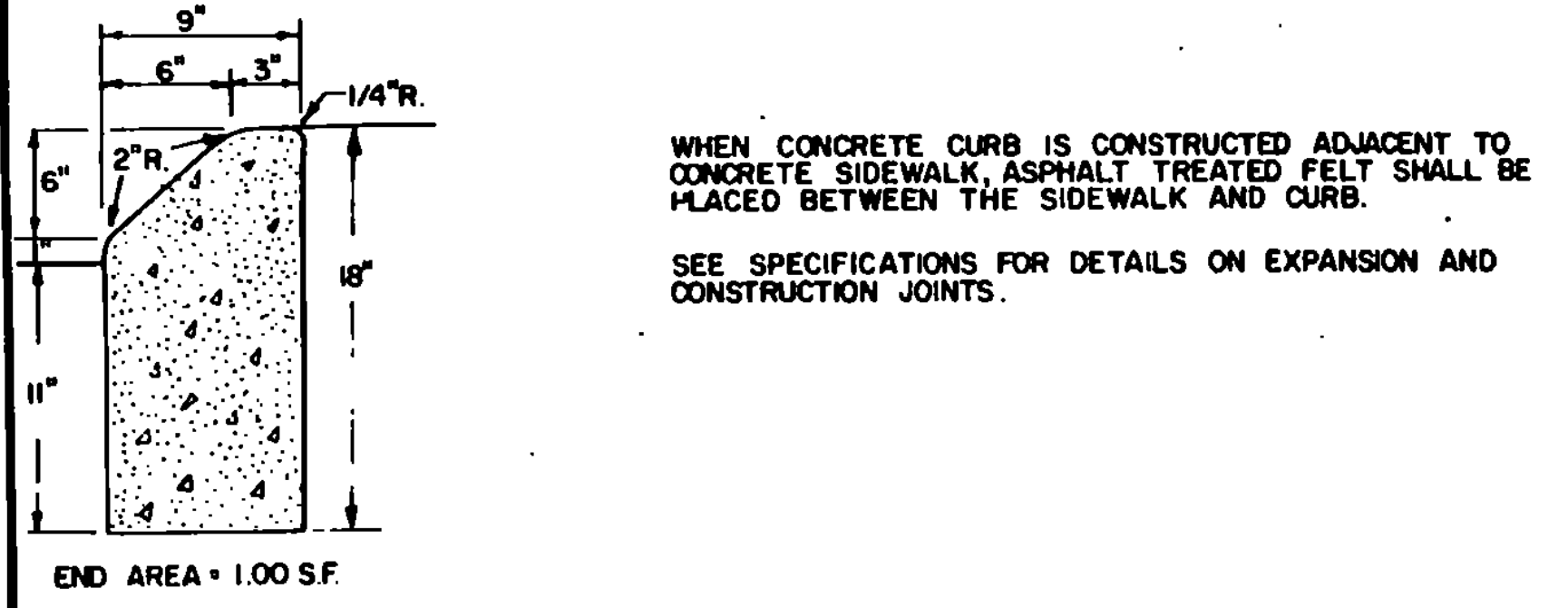
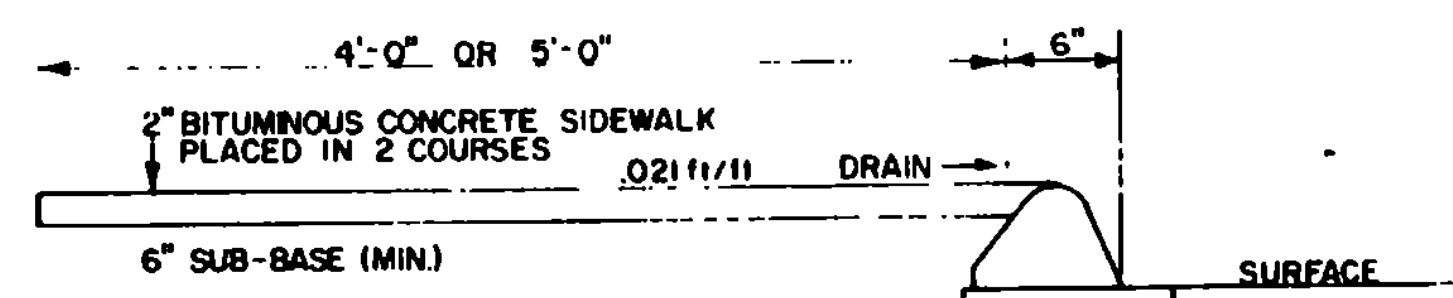


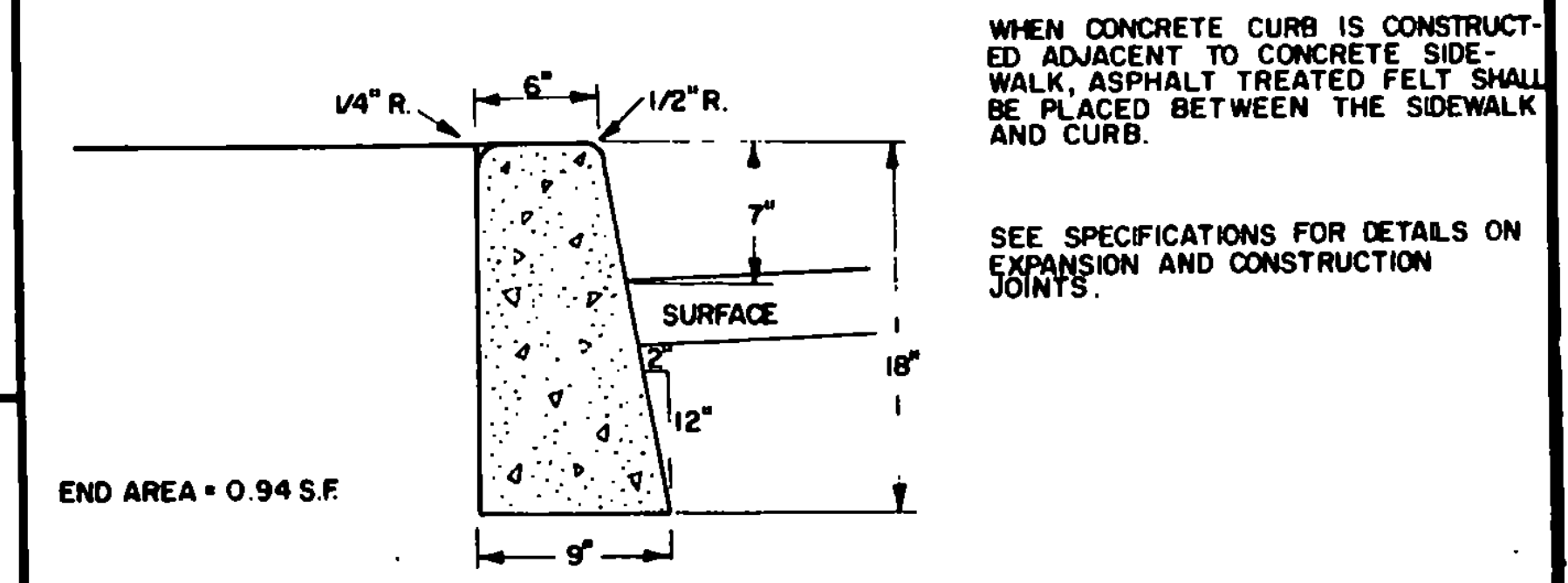
BITUMINOUS CONCRETE CURB, TYPE A



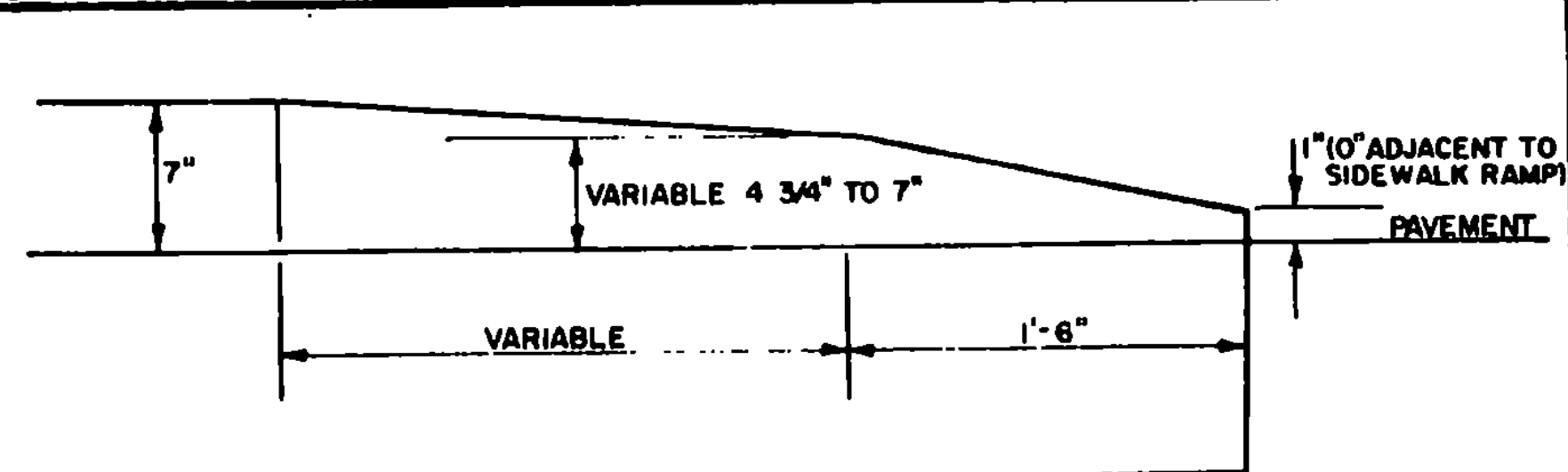
CAST IN PLACE CONCRETE CURB, TYPE A



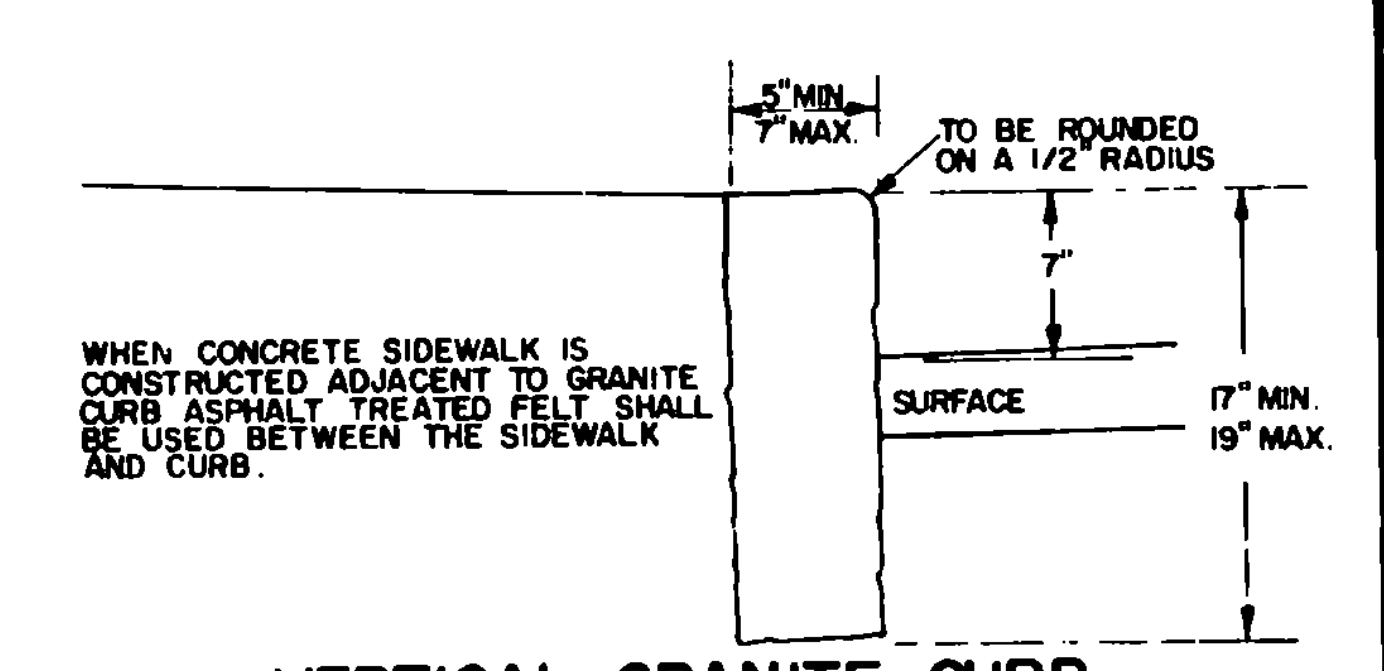
BITUMINOUS CONCRETE SIDEWALK



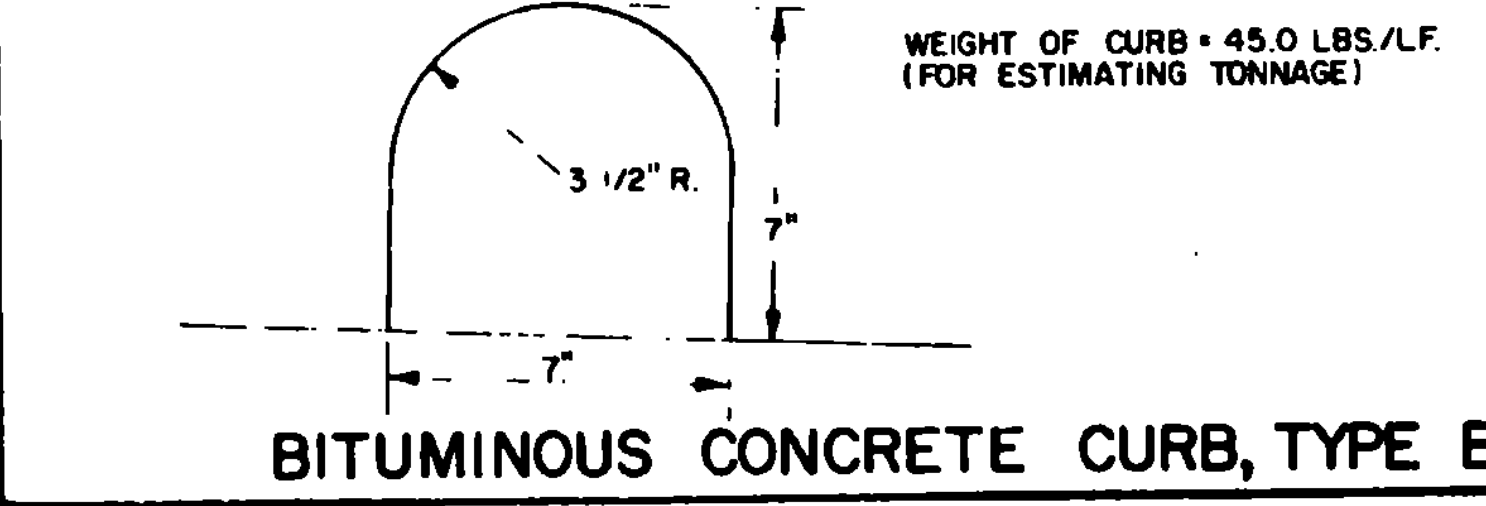
CAST IN PLACE CONCRETE CURB, TYPE B



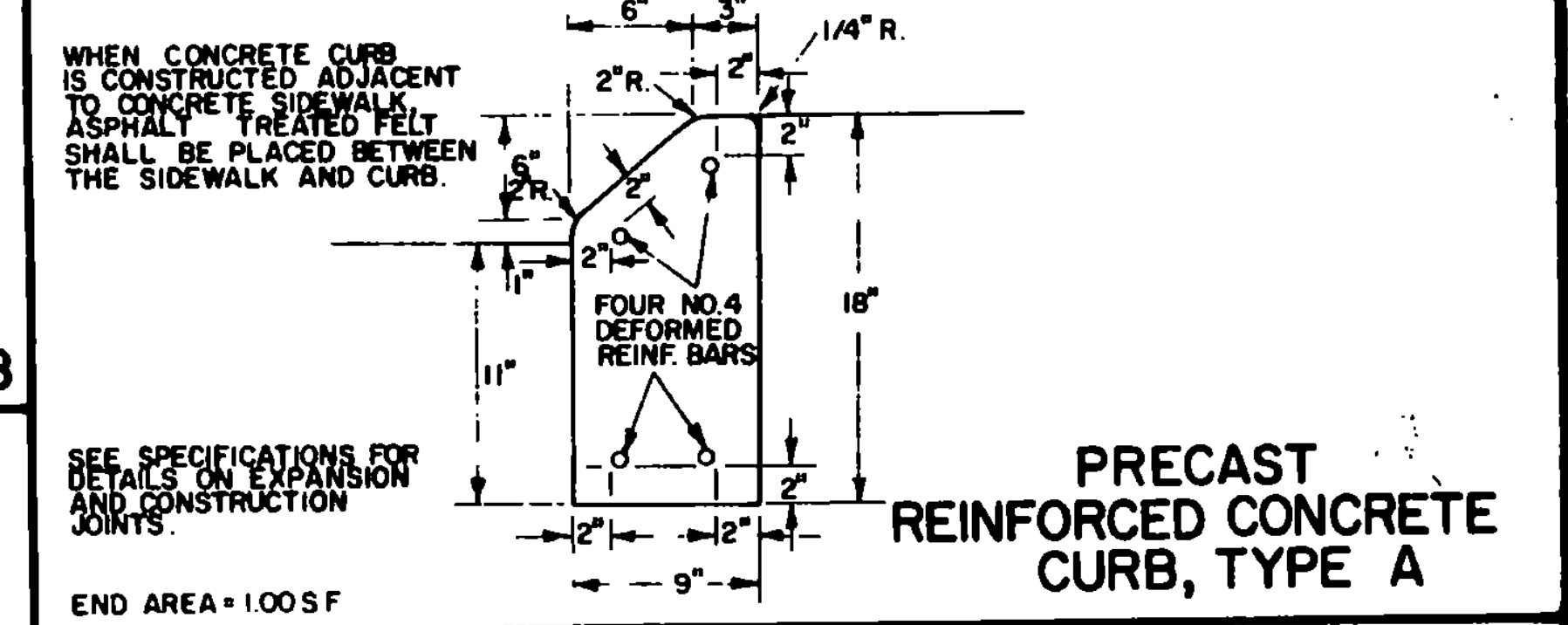
DETAIL OF CONCRETE CURB END FOR PRECAST REINFORCED CONCRETE CURB OR CAST IN PLACE CONCRETE CURB



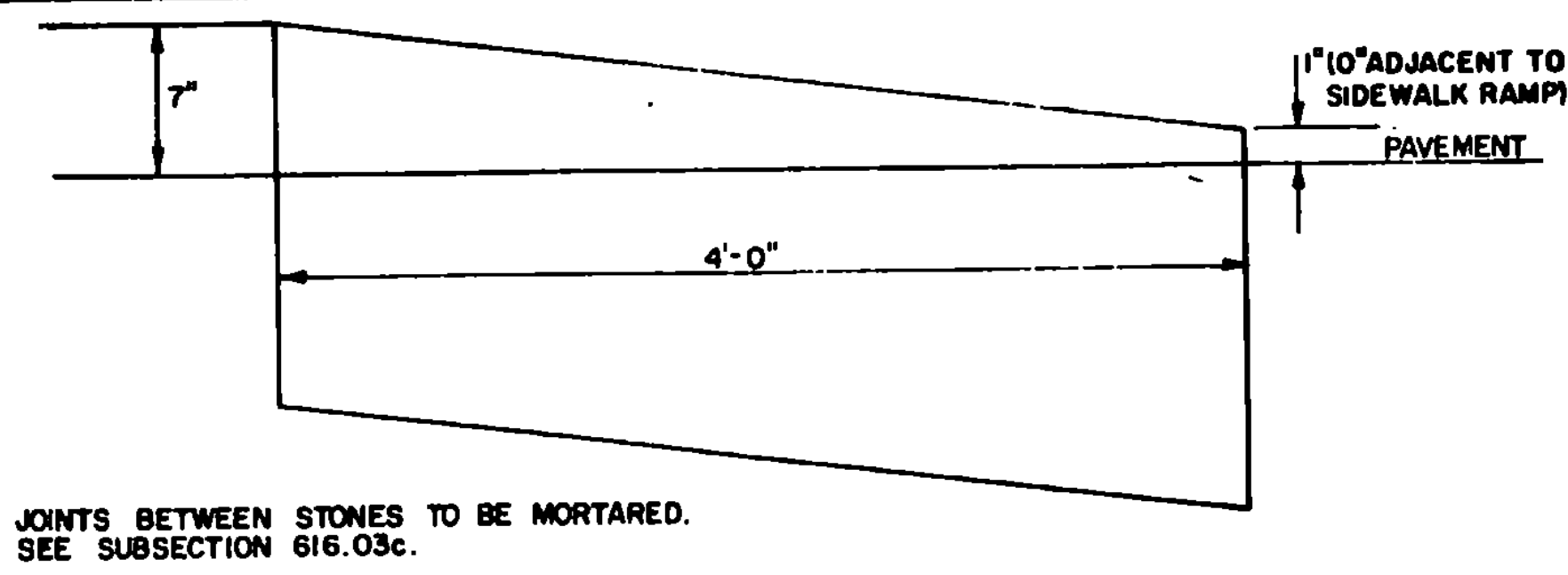
VERTICAL GRANITE CURB



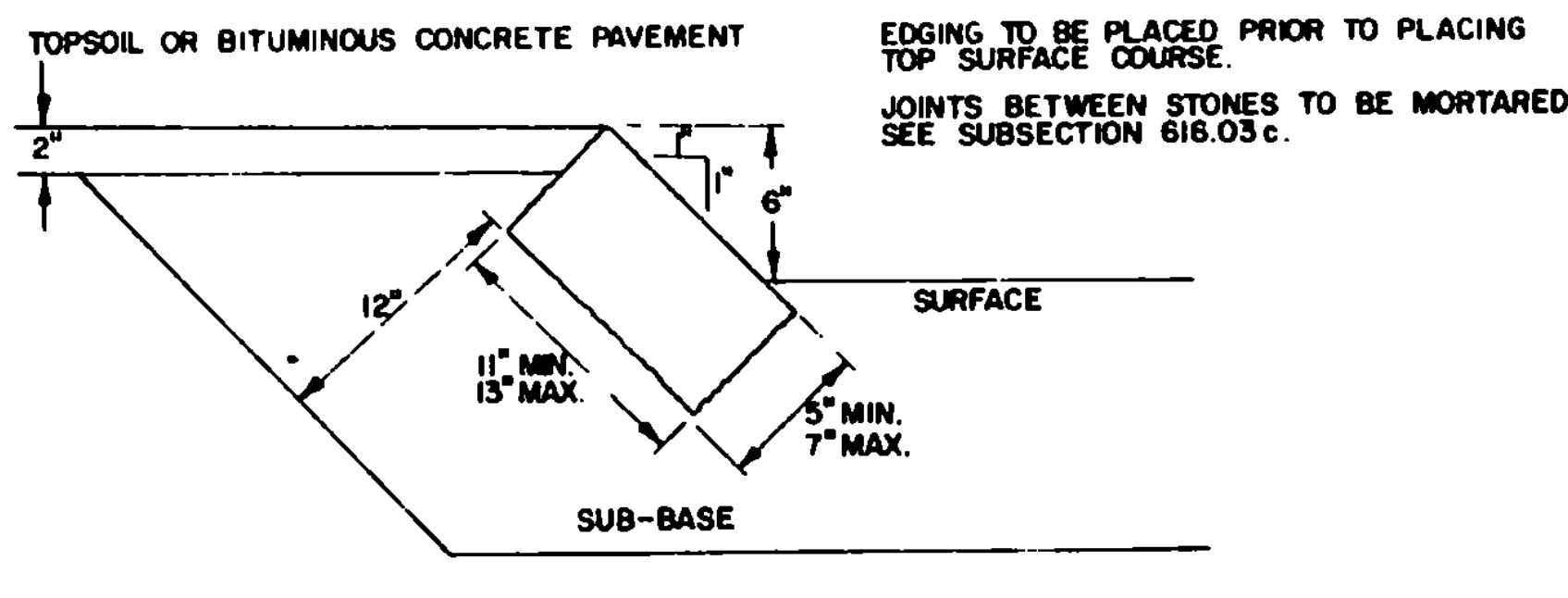
BITUMINOUS CONCRETE CURB, TYPE B



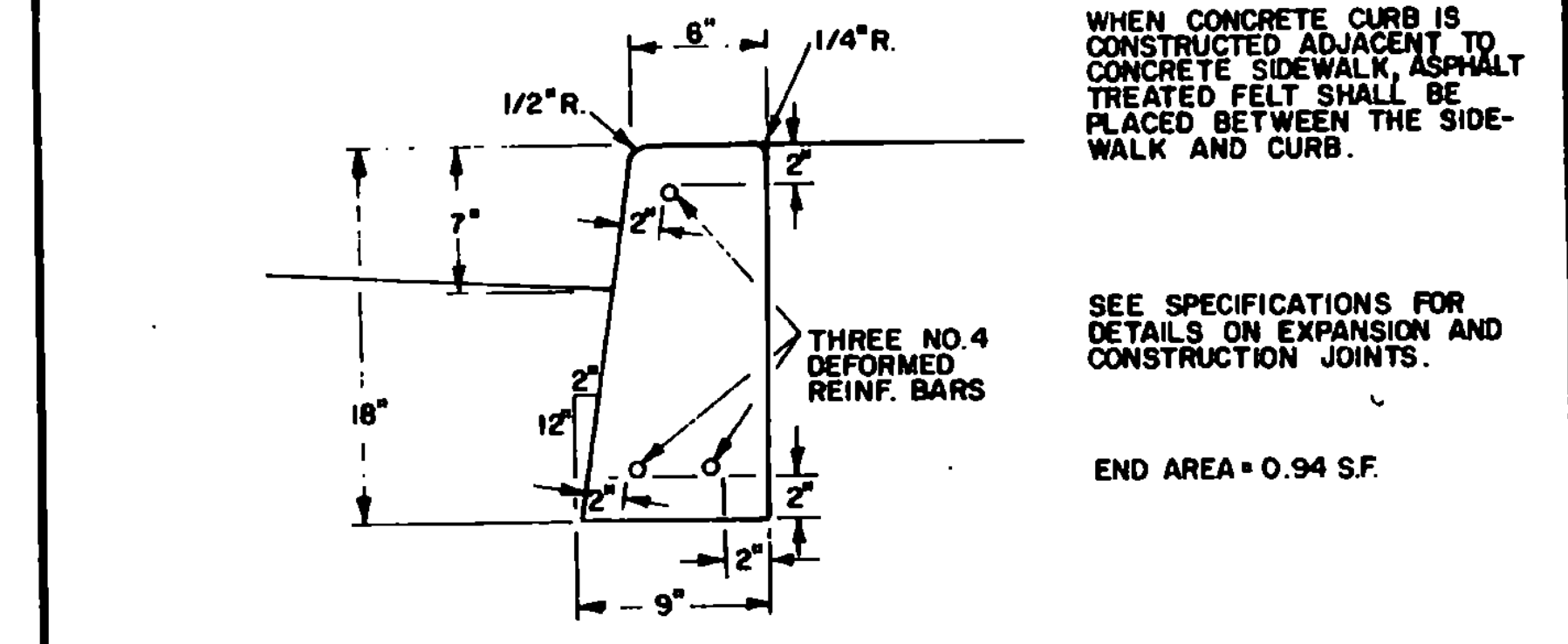
PRECAST REINFORCED CONCRETE CURB, TYPE A



DETAIL OF GRANITE CURB END FOR VERTICAL GRANITE CURB



GRANITE SLOPE EDGING



PRECAST REINFORCED CONCRETE CURB, TYPE B

REVISIONS AND CORRECTIONS
 AUG. 30, 1973 - TREATED TIMBER PLANK INCREASED TO 8" SIZE.
 MAY 7, 1976 - TREATED TIMBER CURB HEIGHT INCREASED FROM 4 1/2" TO 6".
 DEC. 16, 1980 - INCREASED SHOULDER WIDENING FOR GUARD RAIL.
 OCT. 25, 1985 - REVISED TO CONFORM TO 1986 SPECIFICATIONS REPLACED DETAILS OF TIMBER CURB WITH 2 CABLE GUARD RAIL TO ONE WITH STEEL BEAM GUARD RAIL.

APPROVED: DATE: Dec. 8, 1971
 R. W. Arnold
 CHIEF ENGINEER
 E. H. Stechney
 ASST. CHIEF ENGINEER
 G. M. Lane
 HIGHWAY ENGINEER

GRANITE SLOPE EDGING
 VERTICAL GRANITE CURB
 PRECAST REINFORCED CONCRETE CURB
 CAST IN PLACE CONCRETE CURB
 BITUMINOUS CONCRETE CURB
 TREATED TIMBER CURB



STANDARD
 C-1