

PLACEMENT OF OBJECT MARKERS

OBJECT MARKER NOTE: OBJECTS NOT ACTUALLY IN THE ROADWAY MAY BE SO CLOSE TO THE EDGE OF THE ROAD THEY NEED A MARKER. THESE INCLUDE UNDERPASS PIERS, BRIDGE ABUTMENTS, HAND RAILS, AND CULVERT WALLS. IN SOME CASES THERE MAY NOT BE A PHYSICAL OBJECT INVOLVED, BUT OTHER ROADSIDE CONDITIONS SUCH AS NARROW SHOULDER DROP OFFS, GORES, SMALL ISLAND OR ABRUPT CHANGES IN THE ROADWAY MAY MAKE IT UNDESIRABLE FOR A DRIVER TO LEAVE THE ROADWAY. OBJECT MARKERS ARE INTENDED FOR USE AT SUCH LOCATIONS. THE INSIDE EDGE OF THE MARKER SHALL BE IN LINE WITH THE INNER EDGE OF THE OBSTRUCTION, IF POSSIBLE.

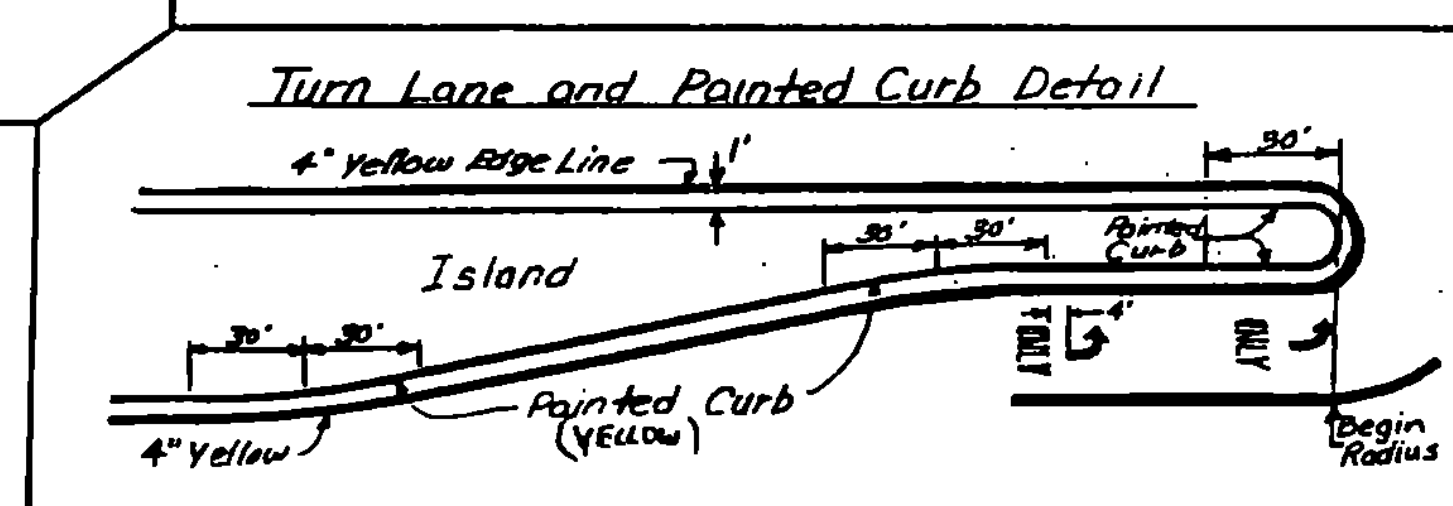
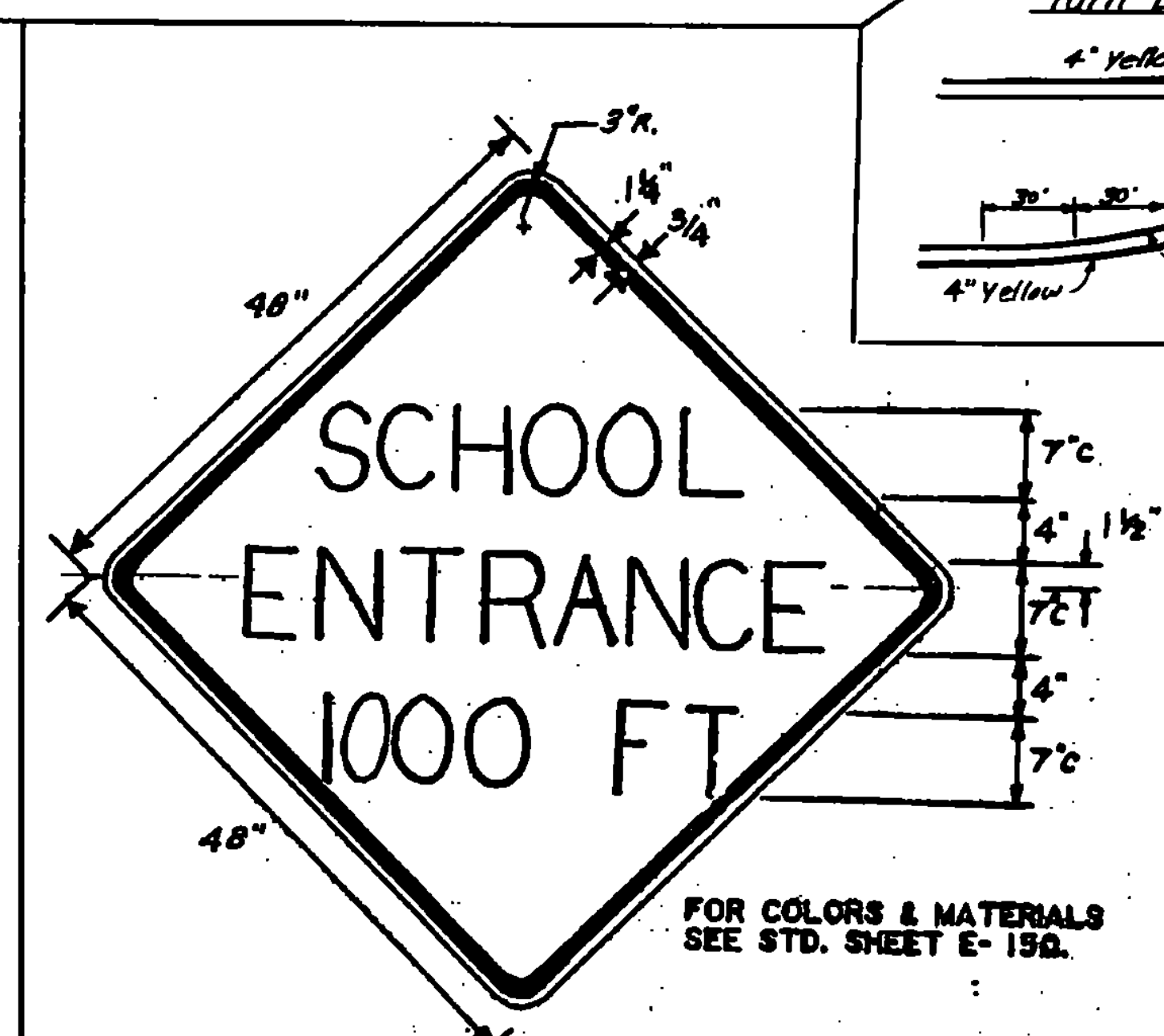
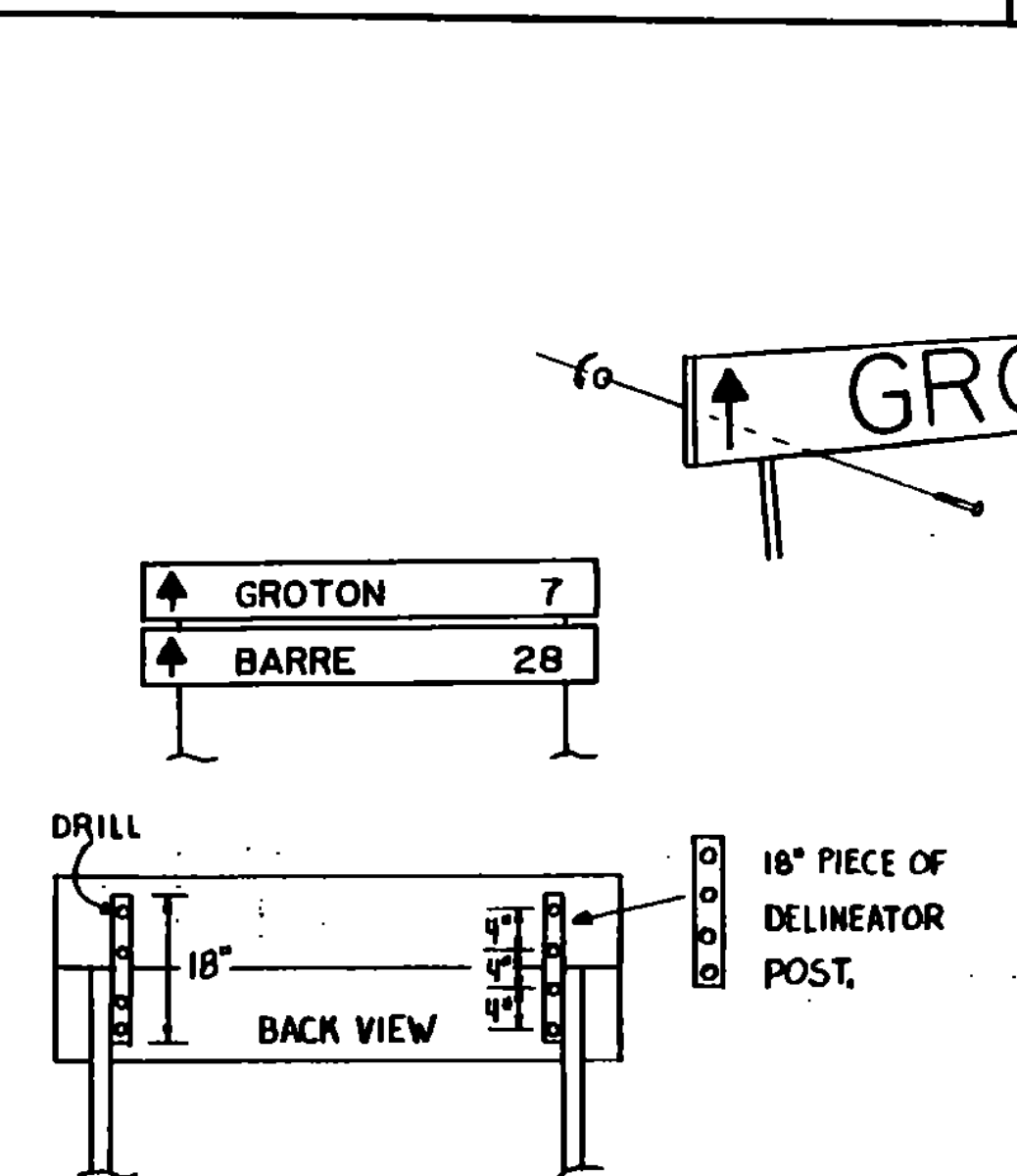
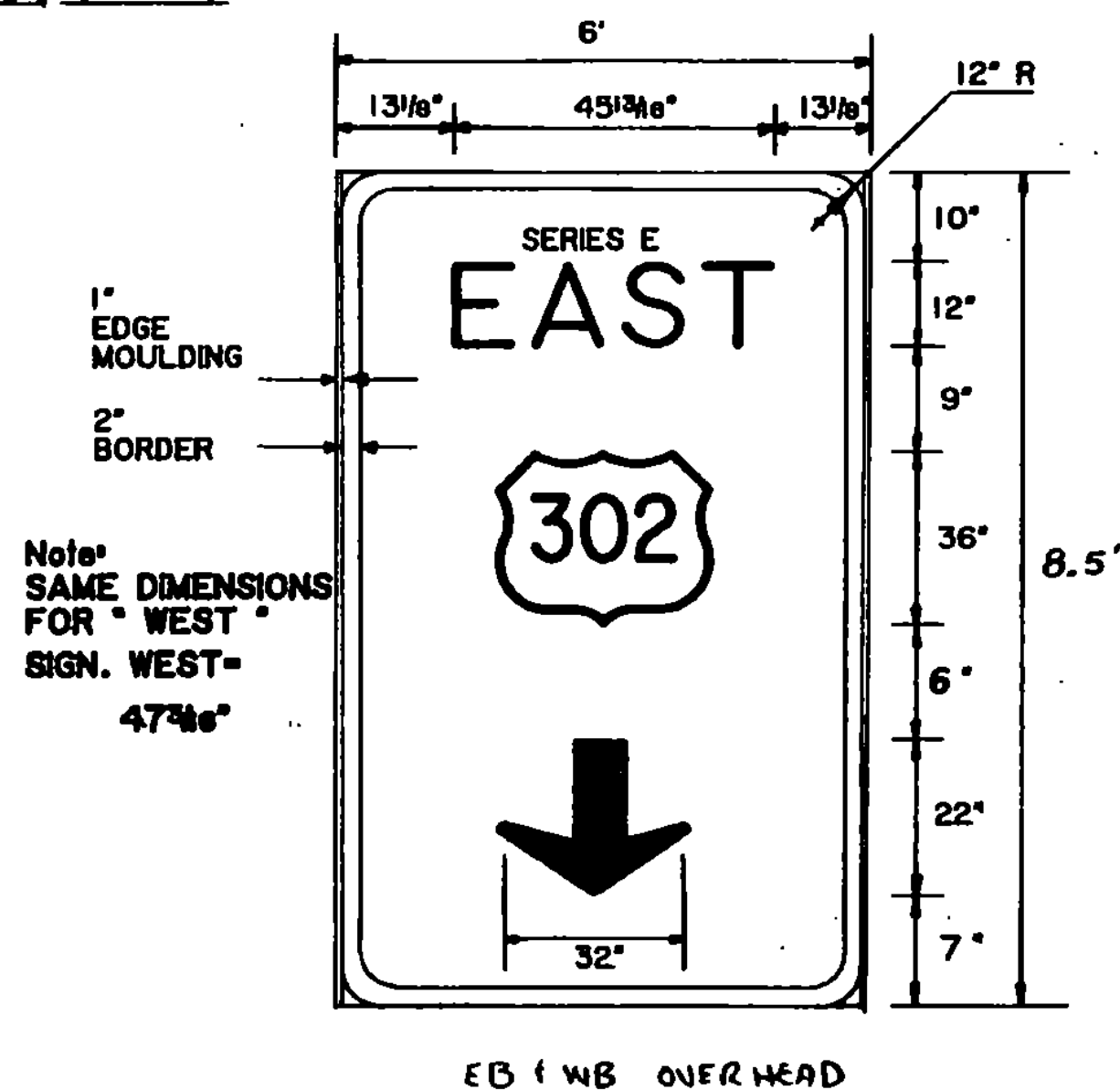
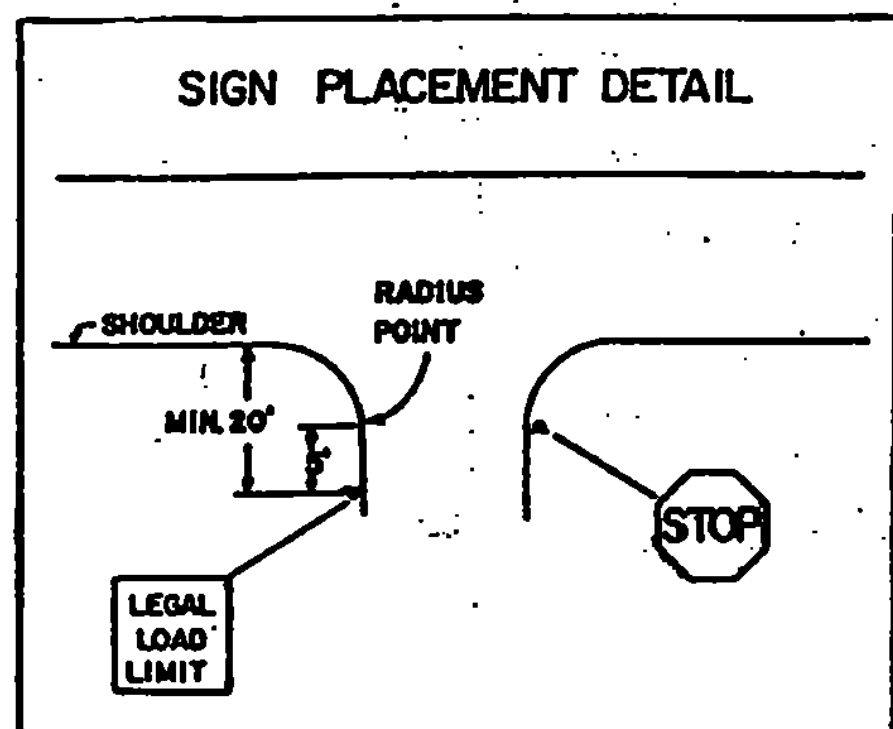
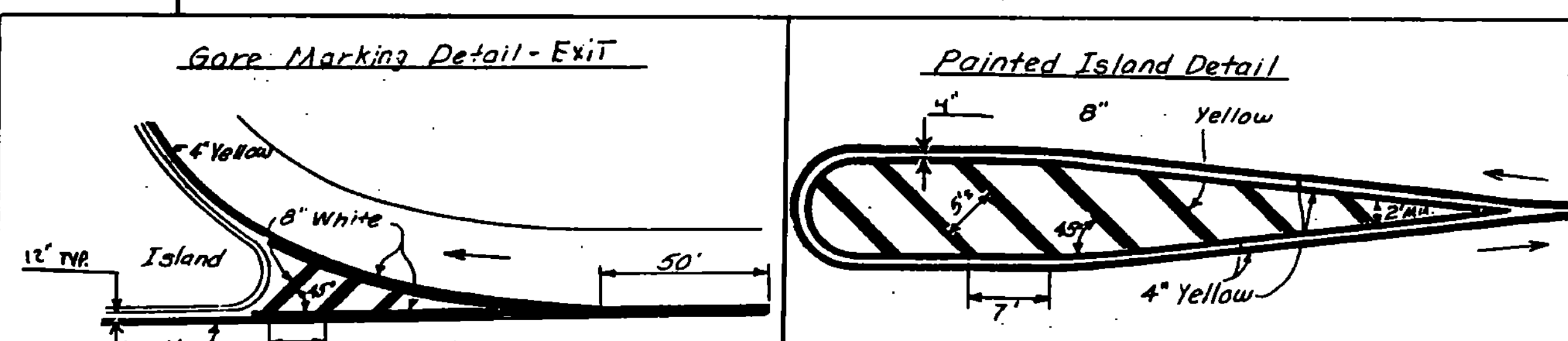
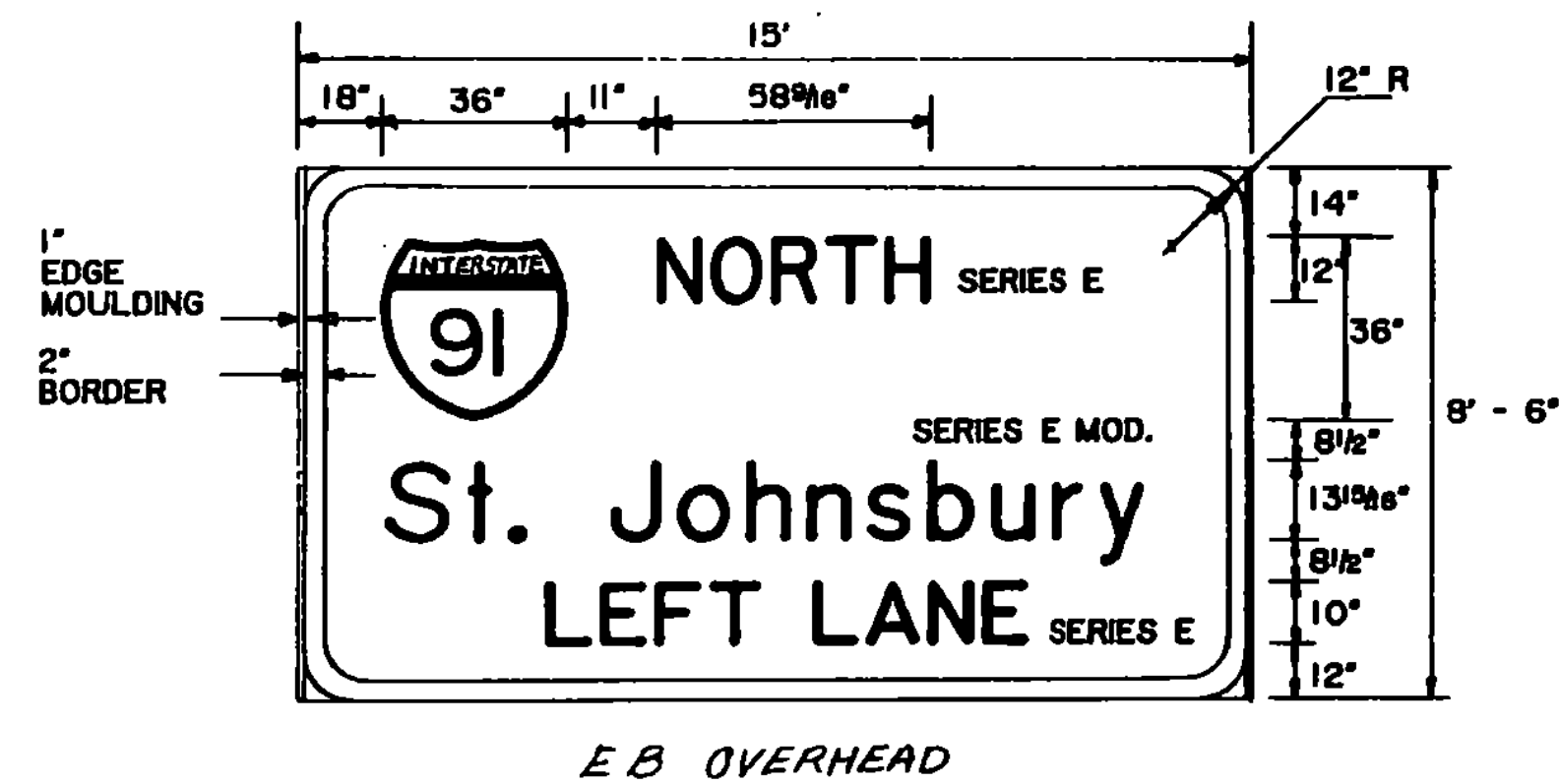
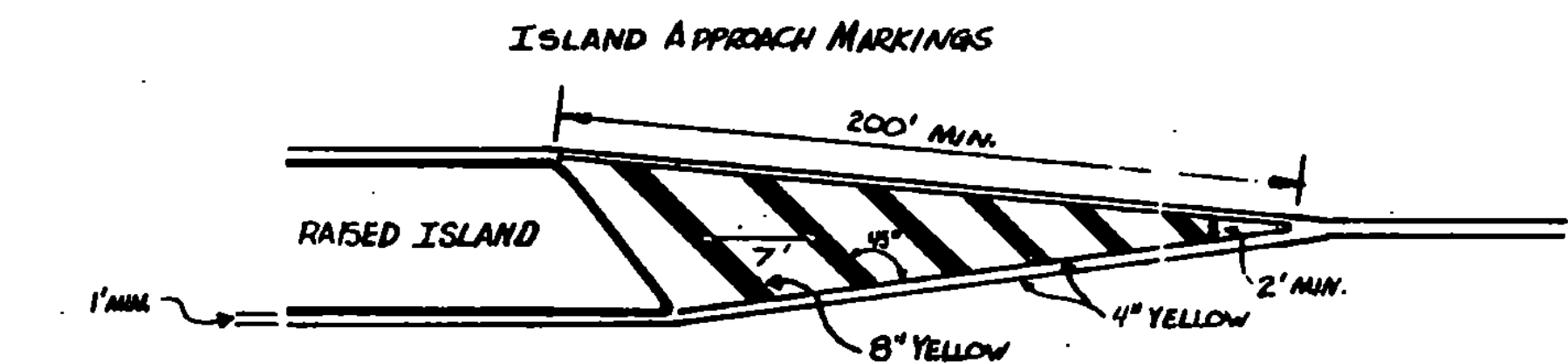
COLORS: THIS SIGN SHALL HAVE A REFLECTORIZED YELLOW BACKGROUND WITH BLACK PAINTED OR LETTERING FILM STRIPES

OBJECT MARKER

MATERIALS: THE SIGN BASE MATERIAL USED FOR THIS SIGN MAY BE EITHER 3/8" HIGH DENSITY PLYWOOD OR 0.100 FLAT SHEET ALUMINUM WITH A REFLECTORIZED SHEETING BACKGROUND.

NOTE: SIGNS SHALL BE INSTALLED ON FLANGED CHANNEL STEEL POSTS. SIGN MAY BE OFF-SET FROM POST SO THAT THE EDGE OF SIGN IS DIRECTLY OVER THE ROADWAY HAZARD.

ALL TYPE B SIGNS SHALL HAVE ENCAPSULATED LENS LEGEND AND BACKING. BACKGROUND: GREEN TEXT & BORDER } WHITE SEE STD. E-131 FOR OTHER MATERIALS NOTES.



DATUM
VERTICAL _____
HORIZONTAL _____

SIGN DETAIL SHEET	
SURVEYED BY _____	DATE _____
DRAWN BY _____	DATE _____
TRACED BY _____	DATE _____
NEWBURY	
F 026-1 (3) S	F 026-2 (3) S
PROJ. NO. _____	TRAFFIC SHEET NO. 510 OF 510
SHEET 15 OF 43	