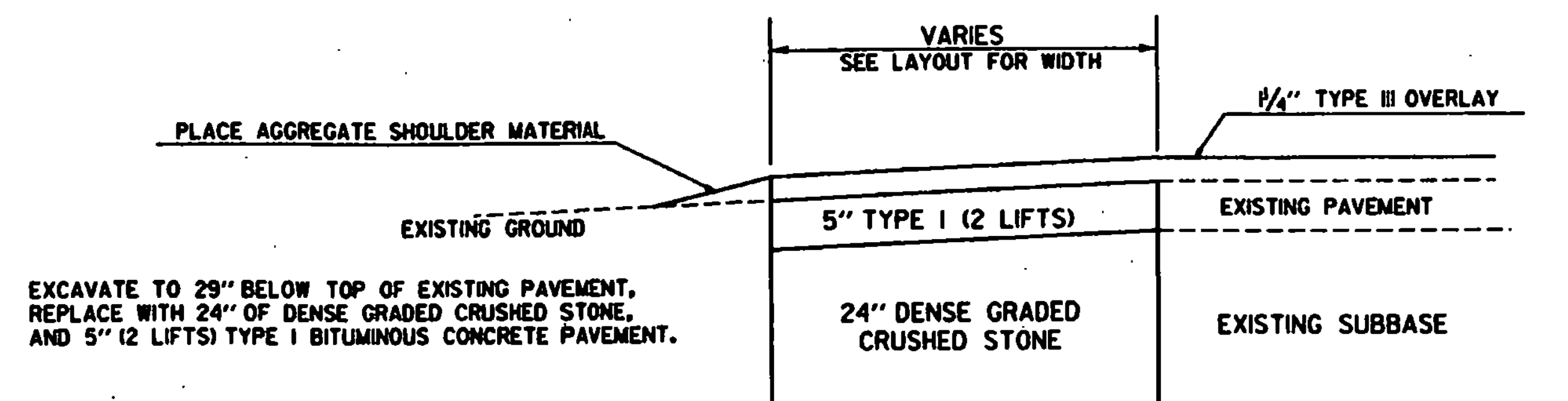
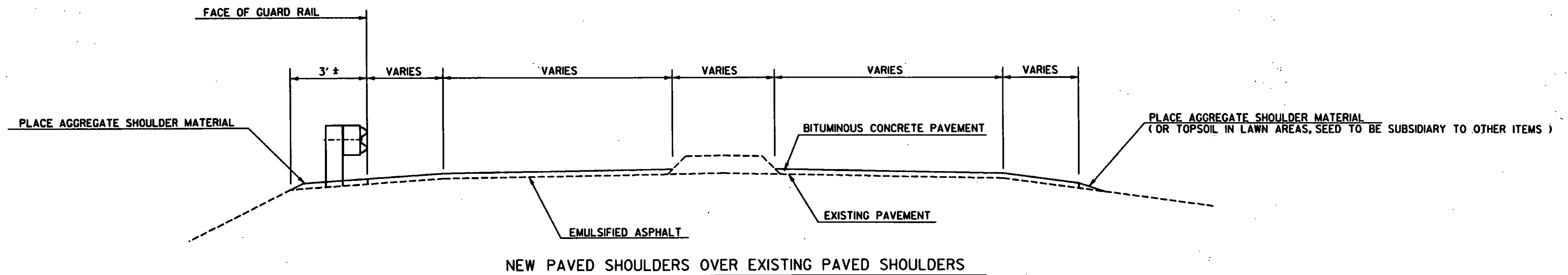
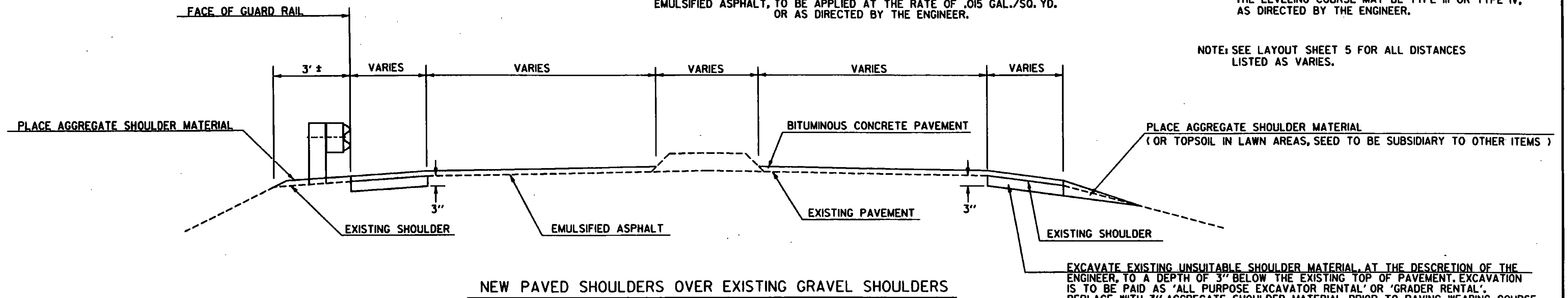


# TYPICAL SECTIONS 1988 PAVING PROGRAM

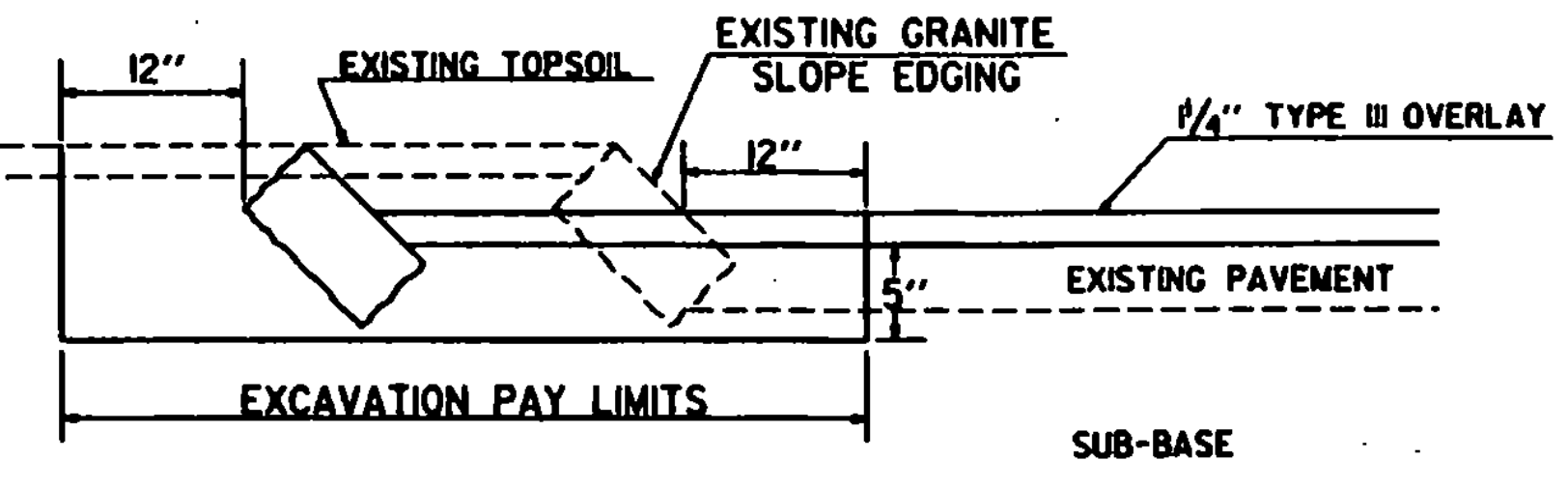
1 1/4" BITUMINOUS CONCRETE PAVEMENT (± 1/4")  
 436 AVERAGE TONS, PER/MILE LEVELING COURSE OF BITUMINOUS CONCRETE PAVEMENT  
 EMULSIFIED ASPHALT, TO BE APPLIED AT THE RATE OF .015 GAL./SQ. YD.  
 OR AS DIRECTED BY THE ENGINEER.

NOTE: THE WEARING COURSE WILL BE TYPE III.  
 THE LEVELING COURSE MAY BE TYPE III OR TYPE IV,  
 AS DIRECTED BY THE ENGINEER.

NOTE: SEE LAYOUT SHEET 5 FOR ALL DISTANCES  
 LISTED AS VARIES.



RELOCATE CURB, EXCAVATE TOPSOIL TO 5" BELOW EXISTING PAVEMENT. REPLACE WITH 5" (2 LIFTS) TYPE I BITUMINOUS CONCRETE PAVEMENT.  
 EDGING TO BE PLACED PRIOR TO PLACING TOP SURFACE COURSE.  
 JOINTS BETWEEN STONES TO BE MORTARED. SEE SUBSECTION 616.03C.



DATUM  
 VERTICAL \_\_\_\_\_  
 HORIZONTAL \_\_\_\_\_

LOCATION  
 MM 1.797 - MM 1.808 LT

LOCATION  
 MM 1.789 - MM 1.808 LT

PAVE87X.PRF	
SURVEYED BY	DATE
DRAWN BY	DATE
SQUAD LEADER	DATE
DESIGN FILE NO.	DATE
PROJ. NAME	PLOTTED
PROJ. NO.	
SHEET 2 OF 43 SHEETS	