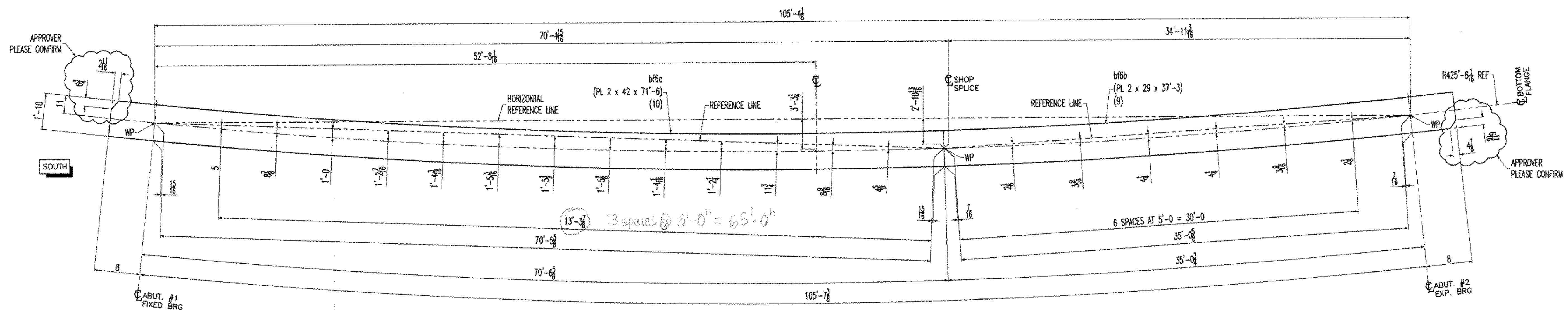


TOP FLANGE SPlicing DIAGRAM FOR GIRDER 6G6A (1 REQ'D)
NTS



BOTTOM FLANGE SPlicing DIAGRAM FOR GIRDER 6G6A (1 REQ'D)
NTS

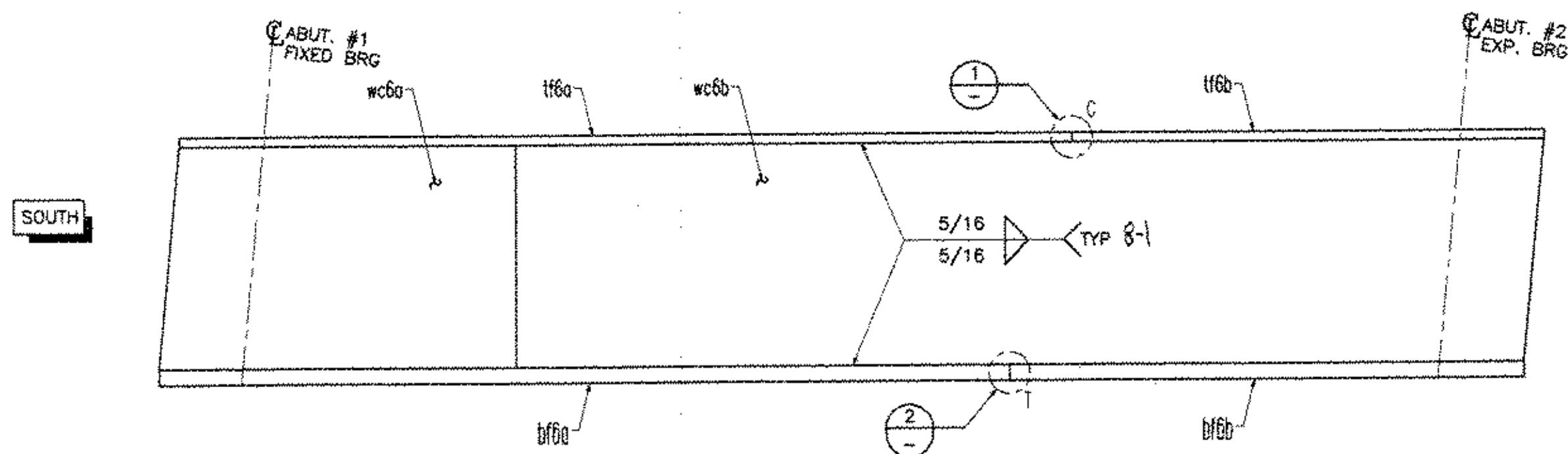
- NOTES:
 1- GENERAL NOTES: SEE DRAWING GN1
 2- HOLES : 15/16 (U.N.O.)
 3- THE LETTERS "T" OR "C" AT SHOP WELDED SPLICES INDICATE TENSION AND COMPRESSION RESPECTIVELY AND SHOULD BE TESTED PER VERMONT AGENCY OF TRANSPORTATION SPECIFICATIONS FOR CONSTRUCTION.

<input type="checkbox"/> Reviewed	<input checked="" type="checkbox"/> Furnish as Corrected
<input type="checkbox"/> Rejected	<input type="checkbox"/> Revise and Resubmit
	<input type="checkbox"/> Submit Special Report

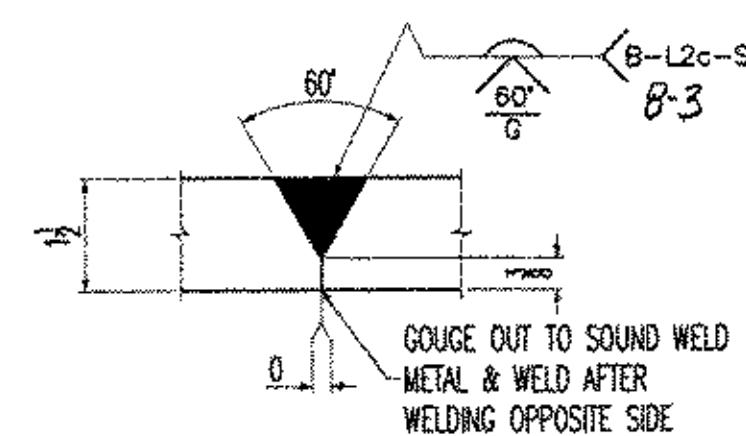
This review is for general conformance with the design and does not constitute an endorsement of the construction documents. Corrections to the design shall be made on the shop drawings. During this review do not relieve the contractor of their responsibility for the construction of the bridge. The contractor shall verify the dimensions of the steel and specifications. Review of a drawing shall not be taken as an approval of the design. The contractor is responsible for the accuracy of the dimensions and quantities of the steel and for the accuracy of the quantities of the steel and for the accuracy of the quantities of the steel and for the accuracy of the quantities of the steel.

McFarland-Johnson, Inc.
 Date: 12-17-03
 By: SFD

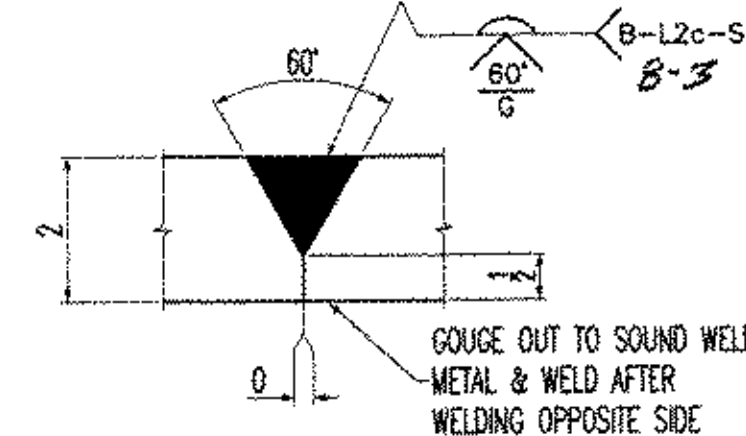
RESERVED FOR STAMPS



FLANGE DIAGRAM FOR 6G6A (1 REQ'D)
NTS



DETAIL 1
NTS



DETAIL 2
NTS

NOTICE
 This drawing shall not be used or reproduced in any manner, nor shall any similar drawings or structures be made therefrom, nor shall the information thereon be used for any purpose other than that for which it is released without the written consent of an officer of EASTERN BRIDGE LLC.

DRAWINGS PREPARED BY:
 AMEC E&C SERVICES LTD, 4765 1ST AVENUE, SUITE 120, CHARLESBOURG (QUEBEC), CANADA G1H 2T3 #030731-EAS

REV	DATE	DESCRIPTION	QTY	DATE	ISSUED TO	APPROVAL	FOR
	11/17/03	FRANK W. WHITCOMB CONSTRUCTION CO.					

PROJECT: BRIDGE #12 VT 103-TH OVER WILLIAMS RIVER
 LOCATION: CHESTER, VERMONT
 ENGINEER: McFARLAND-JOHNSON, INC.
 CUSTOMER: EASTERN BRIDGE LLC

DRAWING TITLE: FLANGE SPlicing DIAGRAM FOR GIRDER 6G6A
 DRAWN BY: D.B. 10/29/03 JOB
 CHECKED BY: L.D. 11/14/03 NUMBER: 4065 SHEET NUMBER: FS6