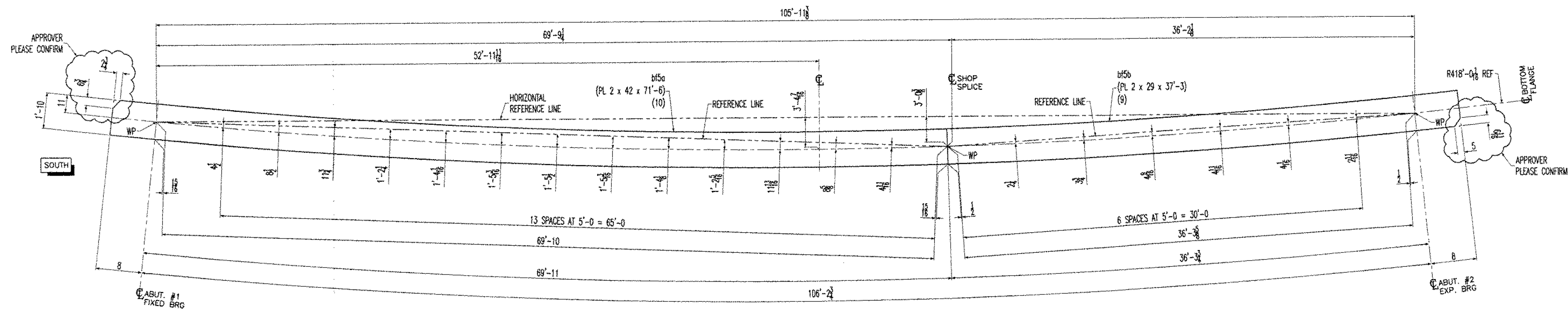
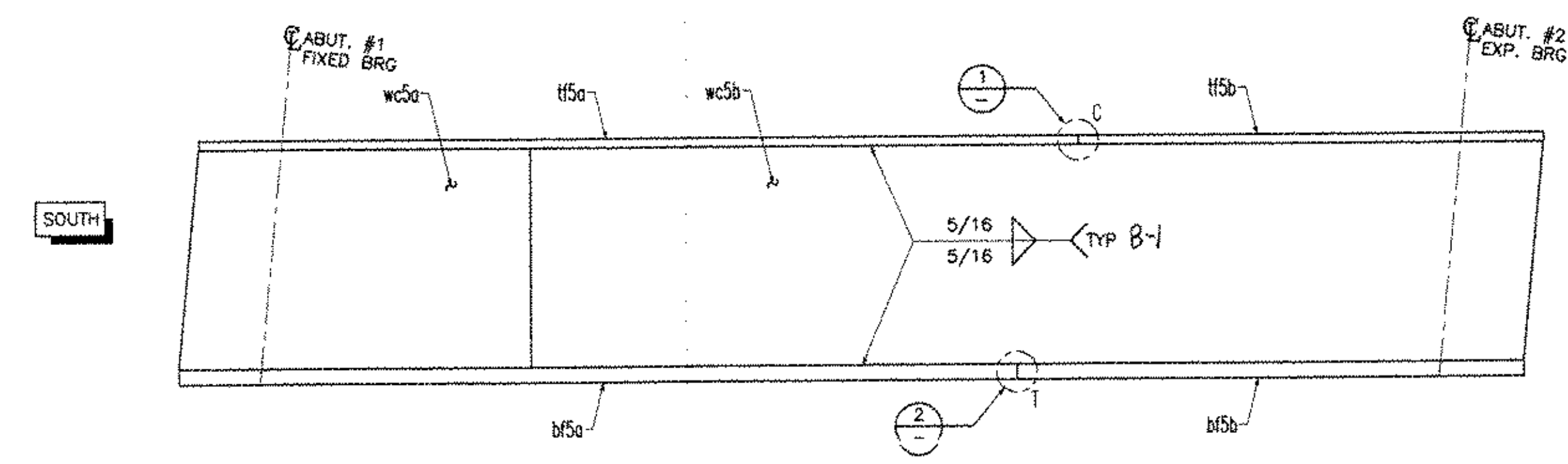


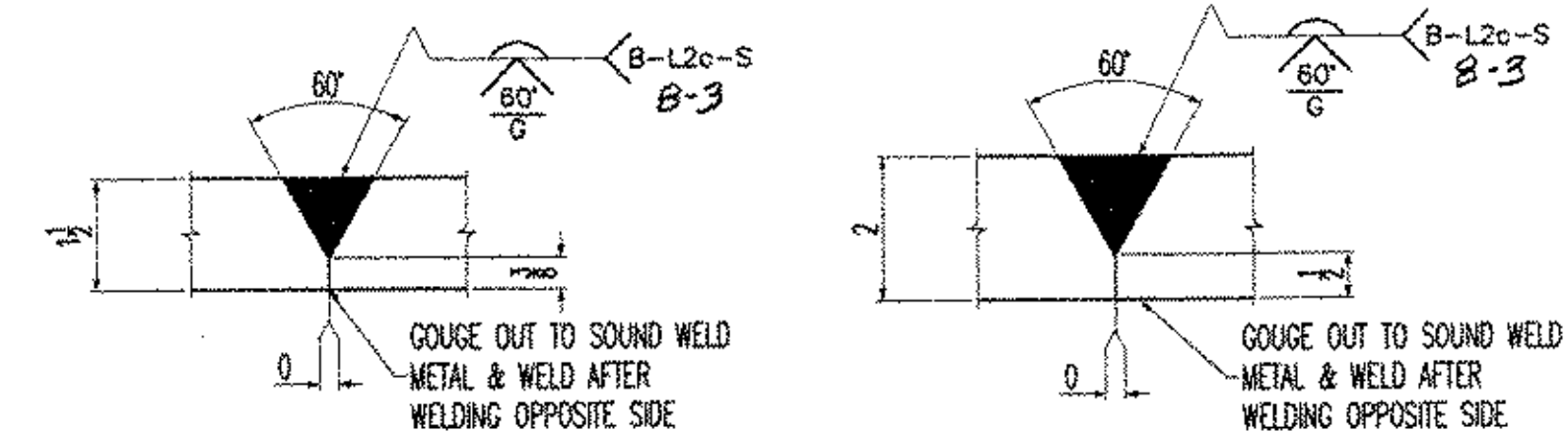
TOP FLANGE SPlicing DIAGRAM FOR GIRDER 5G5A (1 REQ'D)
NTS



BOTTOM FLANGE SPlicing DIAGRAM FOR GIRDER 5G5A (1 REQ'D)
NTS



FLANGE DIAGRAM FOR 5G5A (1 REQ'D)
NTS



DETAIL 1
NTS

DETAIL 2
NTS

NOTES:
1- GENERAL NOTES: SEE DRAWING 0N1
2- HOLES : 15/16" (U.N.O.)
3- THE LETTERS "T" OR "C" AT SHOP WELDED SPLICES INDICATE TENSION AND COMPRESSION RESPECTIVELY AND SHOULD BE TESTED PER VERMONT AGENCY OF TRANSPORTATION SPECIFICATIONS FOR CONSTRUCTION.

<input checked="" type="checkbox"/> Reviewed	<input type="checkbox"/> Furnish as Checked
<input type="checkbox"/> Recheck	<input type="checkbox"/> Revise and Resubmit

The contractor shall be responsible for the accuracy of the information provided in this drawing. The contractor shall be responsible for the accuracy of the information provided in this drawing. The contractor shall be responsible for the accuracy of the information provided in this drawing.

Date: 12-17-03
By: SFD

RESERVED FOR STAMPS

DRAWINGS PREPARED BY:
AMEC E&C SERVICES LTD, 4765 1ST AVENUE, SUITE 120, CHARLESBOURG (QUEBEC), CANADA G1H 2T3 #030731-EAS

REV	DATE	DESCRIPTION	QTY	DATE	ISSUED TO	APPROVAL	FOR
1	11/17/03	FRANK W. WHITCOMB CONSTRUCTION CO.					

PROJECT: BRIDGE #12 VT 103-TH OVER WILLIAMS RIVER
LOCATION: CHESTER, VERMONT
ENGINEER: McFARLAND-JOHNSON, INC.
CUSTOMER: EASTERN BRIDGE LLC
DRAWING TITLE: FLANGE SPlicing DIAGRAM FOR GIRDER 5G5A

DRAWN BY: D.B.	10/29/03	JOB NUMBER: 4065	SHEET NUMBER: F55
CHECKED BY: L.D.	11/14/03		

NOTICE
This drawing shall not be used or reproduced in any manner, nor shall any similar drawings or structures be made therefrom, nor shall the information thereon be used for any purpose other than that for which it is released without the written consent of an officer of EASTERN BRIDGE LLC.



EASTERN BRIDGE LLC
RURAL RTE 2, BOX 302
CLAREMONT, NH 03743
803-542-5202