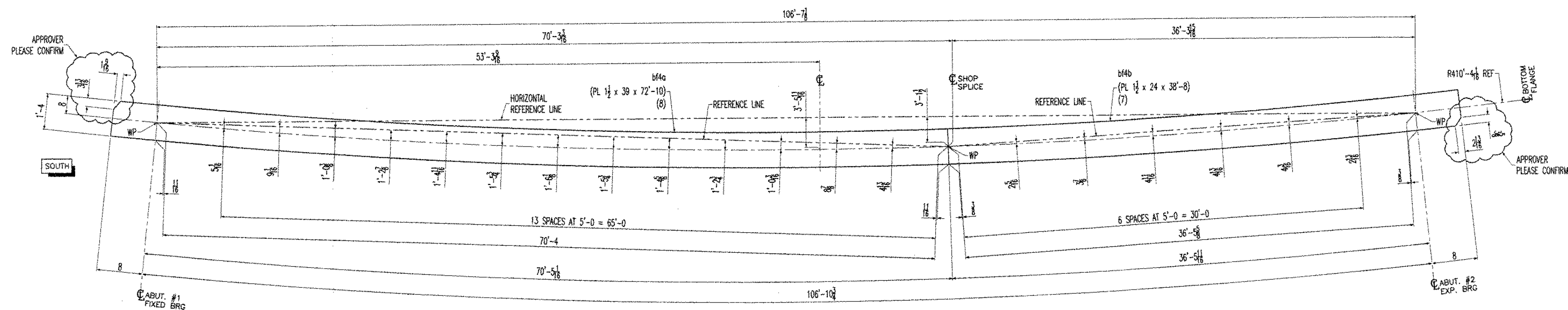
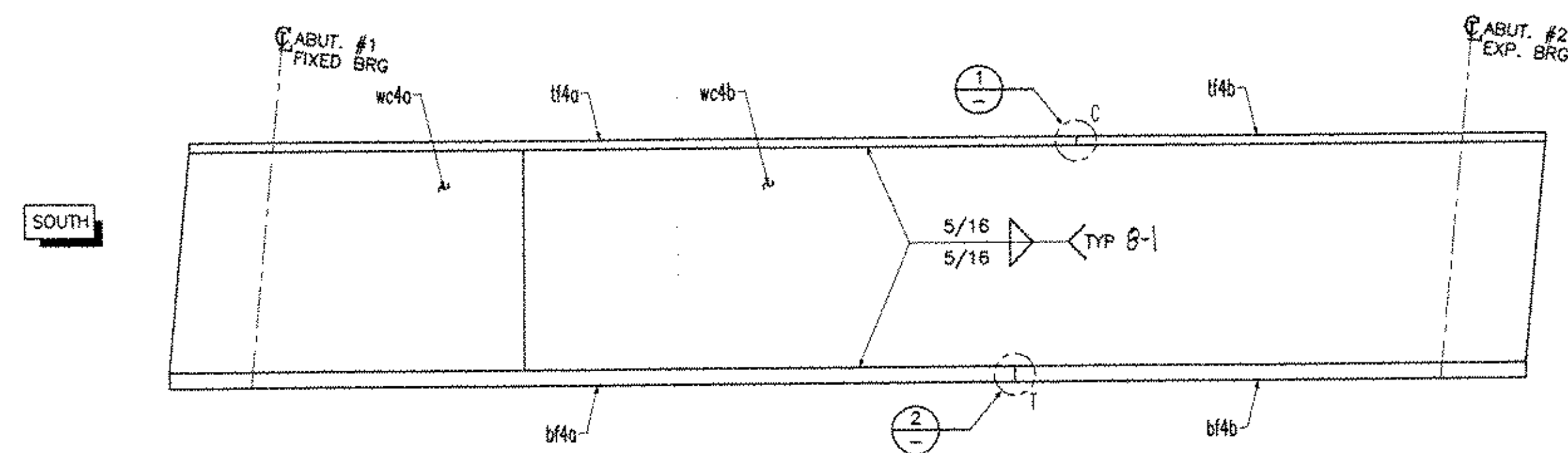


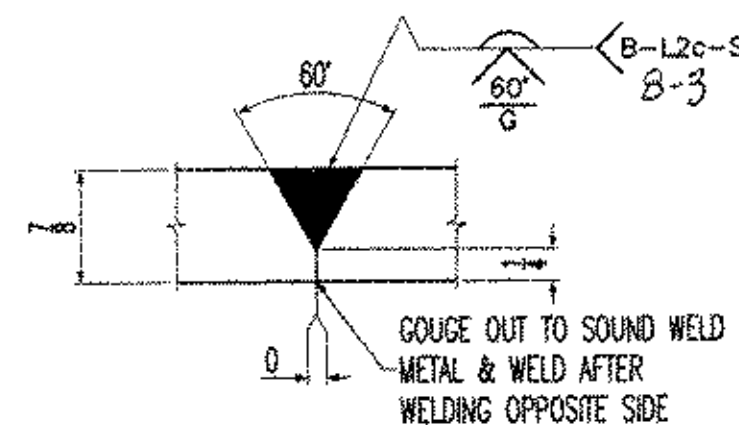
TOP FLANGE SPlicing DIAGRAM FOR GIRDER 4G4A (1 REQ'D)
NTS



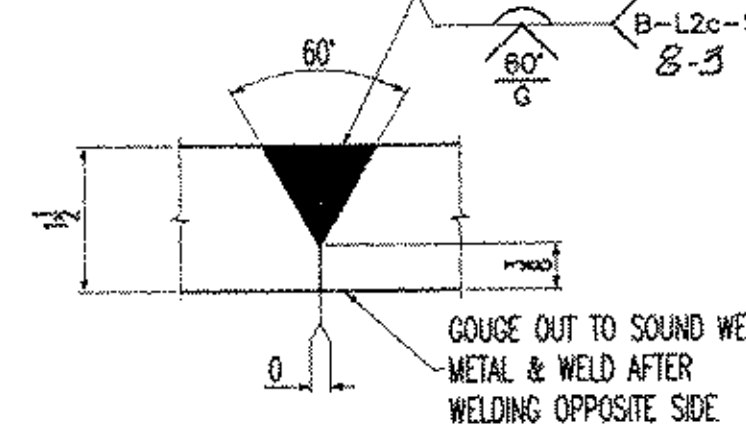
BOTTOM FLANGE SPlicing DIAGRAM FOR GIRDER 4G4A (1 REQ'D)
NTS



FLANGE DIAGRAM FOR 4G4A (1 REQ'D)
NTS



DETAIL 1
NTS



DETAIL 2
NTS

- NOTES:
1- GENERAL NOTES: SEE DRAWING GN1
2- HOLES: 15/16" (U.N.O.)
3- THE LETTERS "T" OR "C" AT SHOP WELDED SPICES INDICATE TENSION AND COMPRESSION RESPECTIVELY AND SHOULD BE TESTED PER VERMONT AGENCY OF TRANSPORTATION SPECIFICATIONS FOR CONSTRUCTION.

- Reviewed
 Rejected
 Furnish as Corrected
 Revise and Resubmit
 Submit Specifications

This drawing is subject to general compliance with the specifications of the Vermont Agency of Transportation. The contractor shall be responsible for the interpretation of the specifications and for the accuracy of the information furnished. The contractor shall be responsible for the interpretation of the specifications and for the accuracy of the information furnished. The contractor shall be responsible for the interpretation of the specifications and for the accuracy of the information furnished.

McFarland-Johnson, Inc.

SFD 12-17-03

By

FRANK W. WHITCOMB CONSTRUCTION CO.
11/20/03

RESERVED FOR STAMPS

DRAWINGS PREPARED BY:
AMEC E&C SERVICES LTD, 4765 1ST AVENUE, SUITE 120, CHARLESBOURG (QUEBEC), CANADA G1H 2T3 #030731-EAS

REV	DATE	DESCRIPTION	QTY	DATE	ISSUED TO	FOR
1	11/17/03	FRANK W. WHITCOMB CONSTRUCTION CO.				APPROVAL



EASTERN BRIDGE LLC
RURAL RTE 2, BOX 302
CLAREMONT, NH 03743
603-542-5202

NOTICE
This drawing shall not be used or reproduced in any manner, nor shall any similar drawings or structures be made therefrom, nor shall the information thereon be used for any purpose other than that for which it is released without the written consent of an officer of EASTERN BRIDGE LLC.

PROJECT: BRIDGE #12 VT 103-TH OVER WILLIAMS RIVER	LOCATION: CHESTER, VERMONT
ENGINEER: MCFARLAND-JOHNSON, INC.	CUSTOMER: EASTERN BRIDGE LLC
DRAWING TITLE: FLANGE SPlicing DIAGRAM FOR GIRDER 4G4A	DRAWN BY: D.B. 10/28/03
CHECKED BY: L.D. 11/14/03	JOB NUMBER: 4065
SHEET NUMBER: FS4	