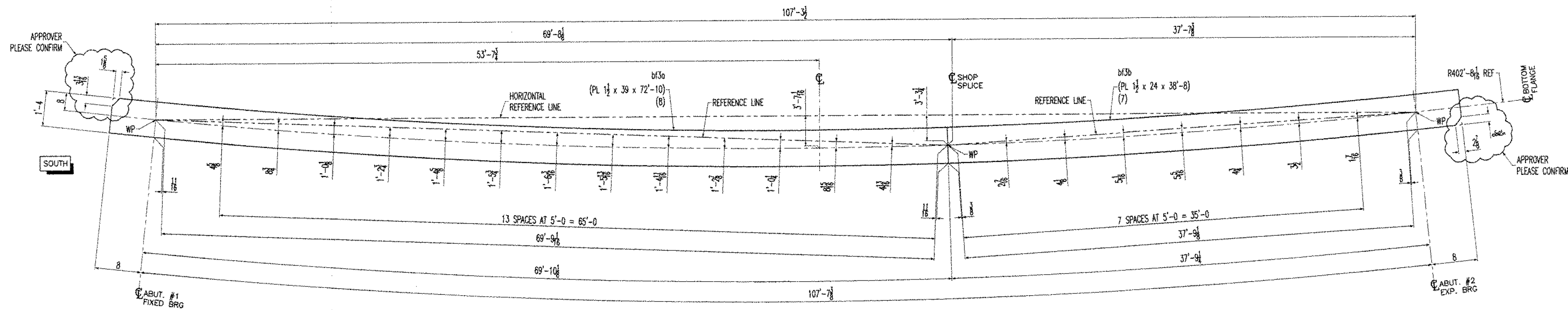
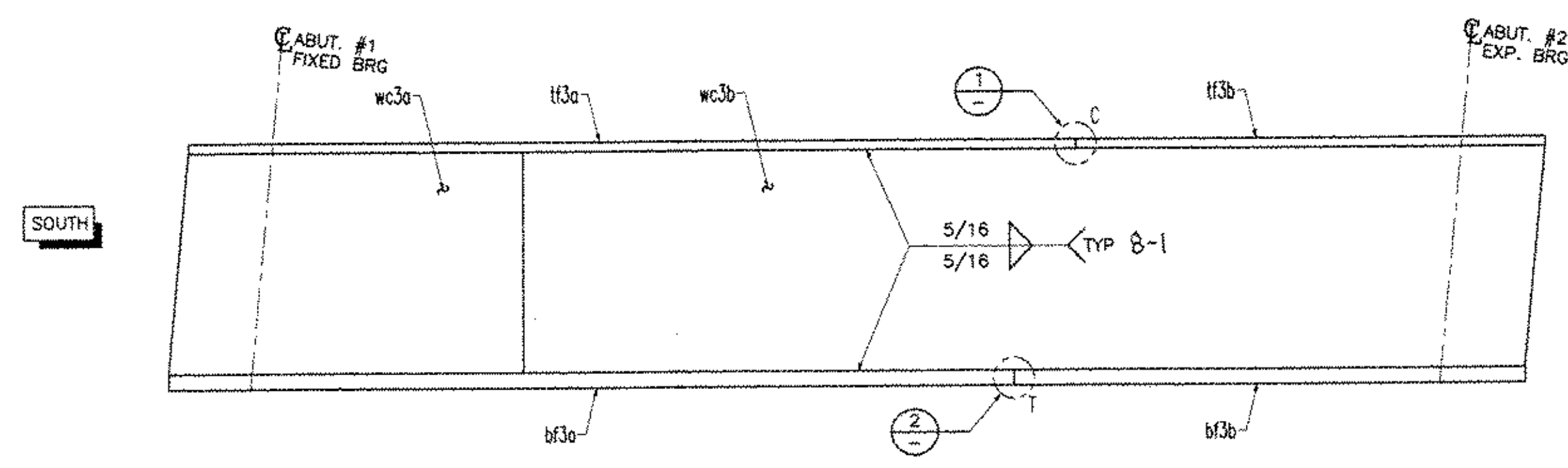


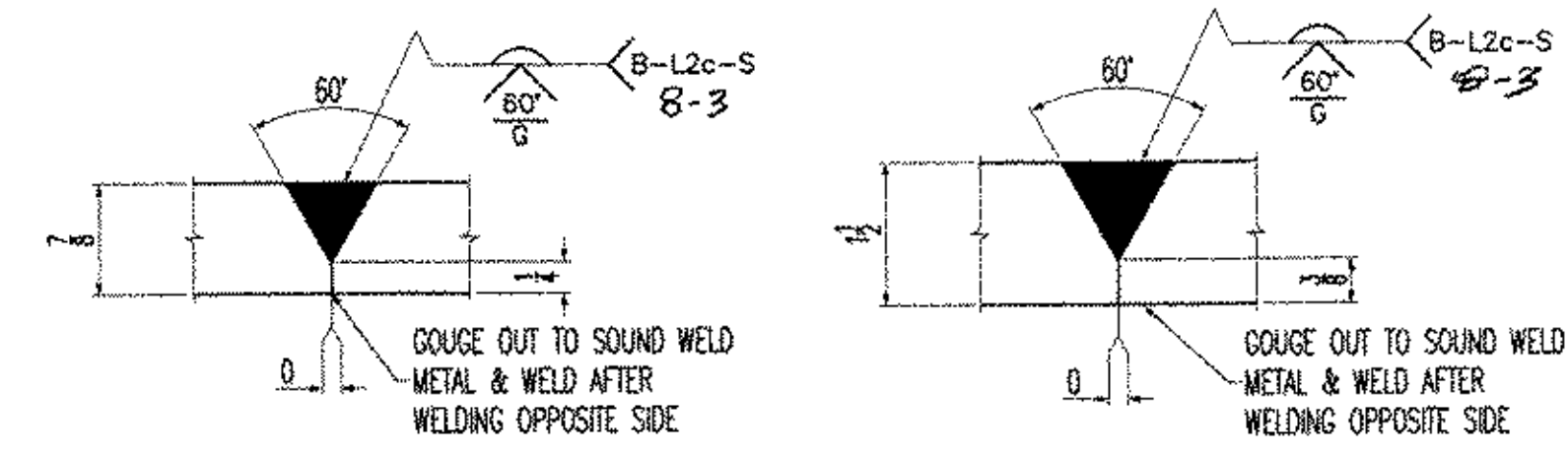
TOP FLANGE SPICING DIAGRAM FOR GIRDER 3G3A (1 REQ'D)
NTS



BOTTOM FLANGE SPICING DIAGRAM FOR GIRDER 3G3A (1 REQ'D)
NTS



FLANGE DIAGRAM FOR 3G3A (1 REQ'D)
NTS



DETAIL 1
NTS

DETAIL 2
NTS

- NOTES:
1- GENERAL NOTES: SEE DRAWING GN1
2- HOLES: 15/16" (U.N.O.)
3- THE LETTERS "T" OR "C" AT SHOP WELDED SPICES INDICATE TENSION AND COMPRESSION RESPECTIVELY AND SHOULD BE TESTED PER VERMONT AGENCY OF TRANSPORTATION SPECIFICATIONS FOR CONSTRUCTION.

- Reviewed
 Rejected
 Furnish as Corrected
 Revise and Resubmit
 Submit for Approval

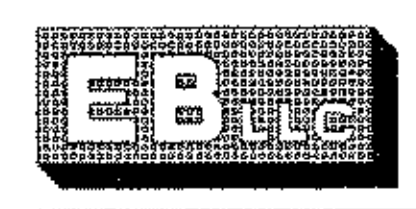
This drawing is the property of Eastern Bridge LLC. It is to be used only for the project and location specified. It is not to be used for any other project or location without the written consent of Eastern Bridge LLC. The user shall be responsible for obtaining all necessary permits and approvals for construction. The user shall be responsible for ensuring that the construction is in accordance with the specifications and standards of the Vermont Agency of Transportation. The user shall be responsible for ensuring that the construction is in accordance with the specifications and standards of the Vermont Agency of Transportation.

Date: 12-17-03
By: SFD

Eastern Bridge LLC
12-20-03

DRAWINGS PREPARED BY:
AMEC E&C SERVICES LTD, 4765 1ST AVENUE, SUITE 120, CHARLESBOURD (QUEBEC), CANADA G1H 2T3 #030731-EAS

REV	DATE	DESCRIPTION	QTY	DATE	ISSUED TO	APPROVAL	FOR
1	11/17/03	FRANK W. WHITCOMB CONSTRUCTION CO.					



PROJECT: BRIDGE #12 VT 103-TH OVER WILLIAMS RIVER
LOCATION: CHESTER, VERMONT
ENGINEER: McFARLAND-JOHNSON, INC.
CUSTOMER: EASTERN BRIDGE LLC
DRAWING TITLE: FLANGE SPICING DIAGRAM FOR GIRDER 3G3A
DRAWN BY: D.B. 10/28/03
CHECKED BY: L.D. 11/14/03
JOB NUMBER: 4065
SHEET NUMBER: FS3

NOTICE
This drawing shall not be used or reproduced in any manner, nor shall any similar drawings or structures be made therefrom, nor shall the information thereon be used for any purpose other than that for which it is released without the written consent of an officer of EASTERN BRIDGE LLC.