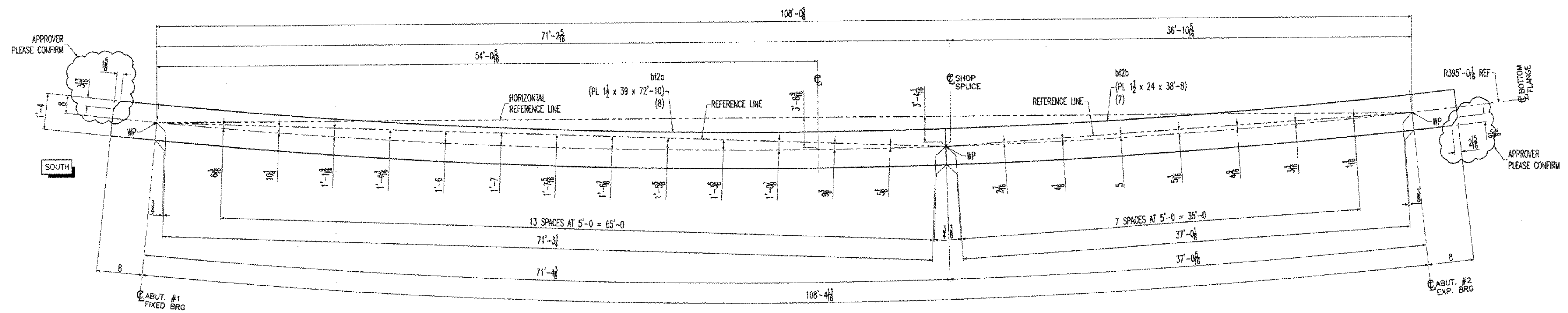


TOP FLANGE SPlicing DIAGRAM FOR GIRDER 2G2A (1 REQ'D)
NTS



BOTTOM FLANGE SPlicing DIAGRAM FOR GIRDER 2G2A (1 REQ'D)
NTS

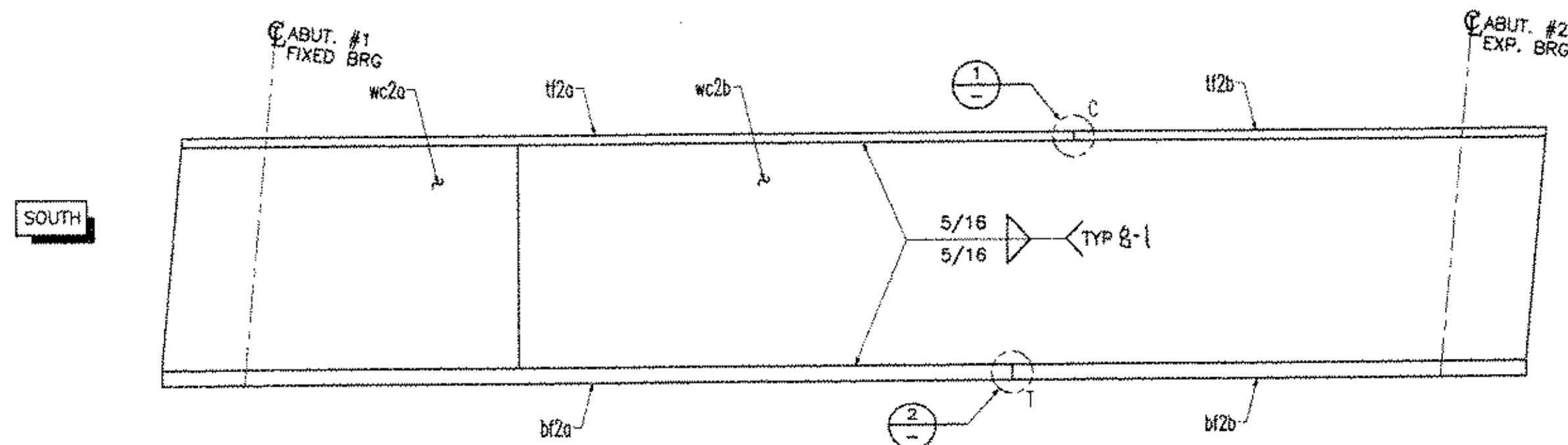
- NOTES:
 1- GENERAL NOTES: SEE DRAWING GN1
 2- HOLES : 15/16" (U.N.O.)
 3- THE LETTERS "T" OR "C" AT SHOP WELDED SPICES INDICATE TENSION AND COMPRESSION RESPECTIVELY AND SHOULD BE TESTED PER VERMONT AGENCY OF TRANSPORTATION SPECIFICATIONS FOR CONSTRUCTION.

Reviewed
 Rejected
 Furnish as Connected
 Revise and Resubmit
 Submit On

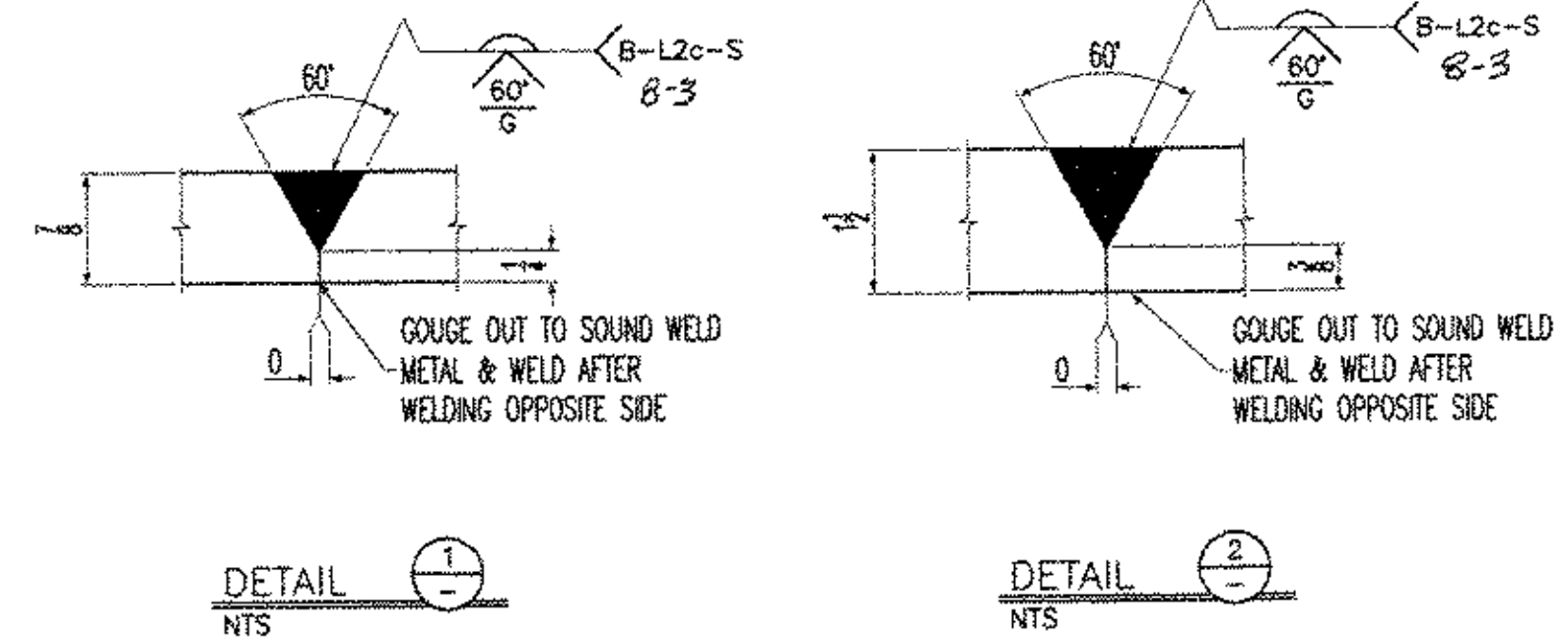
This drawing is to be used for general construction only. It is not to be used for the design of any structure. The designer is responsible for the design of any structure. The contractor is responsible for the construction of any structure. The contractor is responsible for the safety of all workers and the public.

Date: 12-17-03
 By: SFD

RESERVED FOR STAMPS



FLANGE DIAGRAM FOR 2G2A (1 REQ'D)
NTS



NOTICE
 This drawing shall not be used or reproduced in any manner, nor shall any similar drawings or structures be made therefrom, nor shall the information thereon be used for any purpose other than that for which it is released without the written consent of an officer of EASTERN BRIDGE LLC.

DRAWINGS PREPARED BY:
 AMEC E&C SERVICES LTD, 4765 1ST AVENUE, SUITE 120, CHARLESBOURG (QUEBEC), CANADA G1H 2T3 #030731-EAS

REV	DATE	DESCRIPTION	QTY	DATE	ISSUED TO	APPROVAL	FOR
1	11/17/03	FRANK W. WHITCOMB CONSTRUCTION CO.					

PROJECT: BRIDGE #12 VT 103-TH OVER WILLIAMS RIVER
 LOCATION: CHESTER, VERMONT
 ENGINEER: McFARLAND-JOHNSON, INC.
 CUSTOMER: EASTERN BRIDGE LLC
 DRAWING TITLE: FLANGE SPlicing DIAGRAM FOR GIRDER 2G2A
 DRAWN BY: D.B. 10/22/03 JOB NUMBER: 4065 SHEET NUMBER: FS2
 CHECKED BY: L.D. 11/14/03