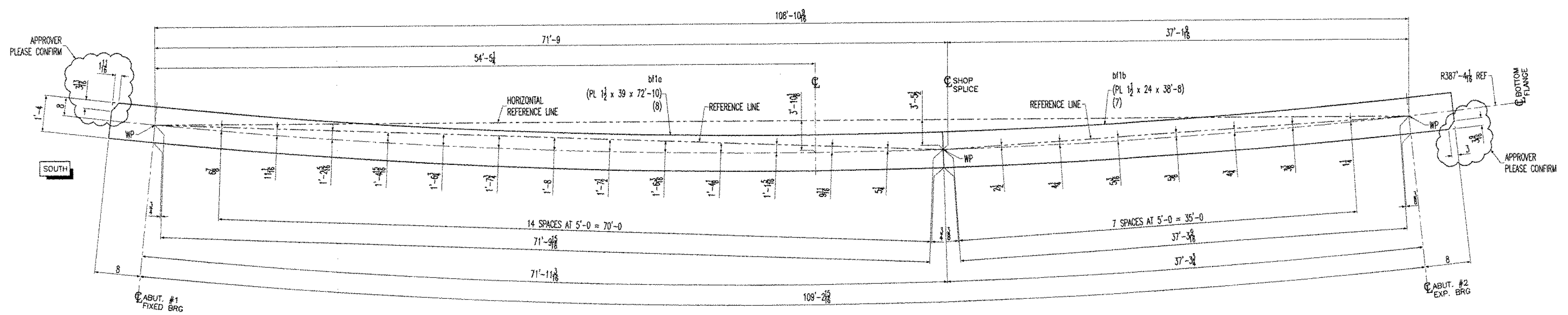


TOP FLANGE SPlicing DIAGRAM FOR GIRDER 1G1A (1 REQ'D)
NTS



BOTTOM FLANGE SPlicing DIAGRAM FOR GIRDER 1G1A (1 REQ'D)
NTS

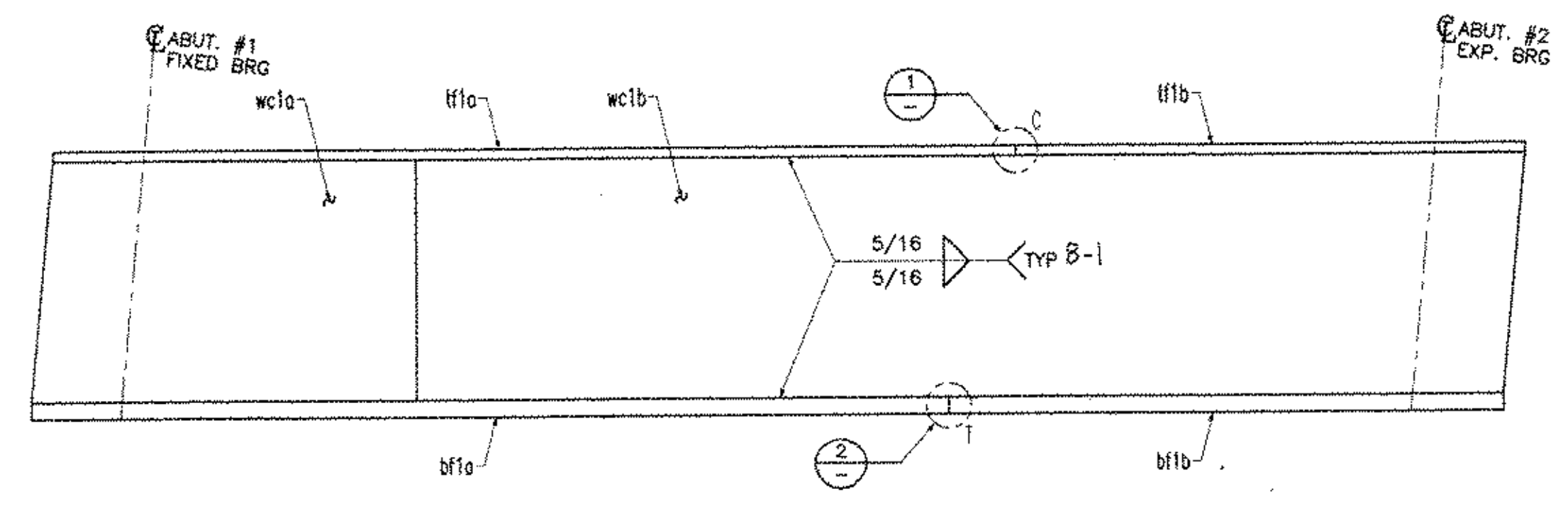
- NOTES:
 1- GENERAL NOTES: SEE DRAWING CN1
 2- HOLES : 15/16" (U.N.O.)
 3- THE LETTERS "T" OR "C" AT SHOP WELDED SPICES INDICATE TENSION AND COMPRESSION RESPECTIVELY AND SHOULD BE TESTED PER VERMONT AGENCY OF TRANSPORTATION SPECIFICATIONS FOR CONSTRUCTION.

<input checked="" type="checkbox"/> Reviewed	<input type="checkbox"/> Furnish as Corrected
<input type="checkbox"/> Rejected	<input type="checkbox"/> Revise and Resubmit
	<input type="checkbox"/> Submit Specified Item

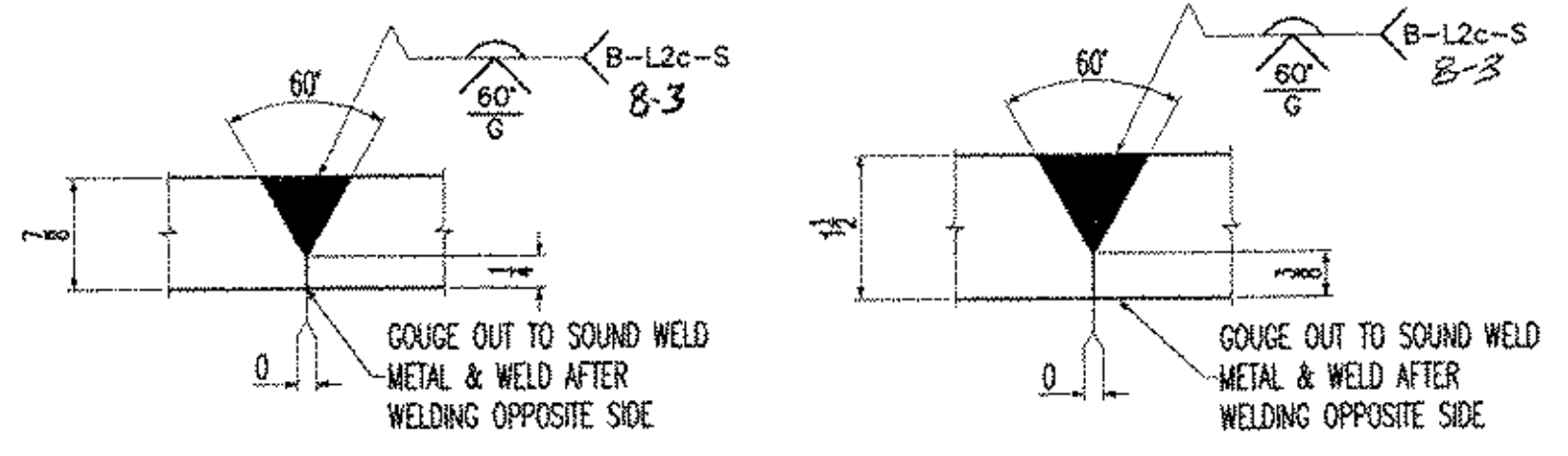
This drawing is only for general information with the design engineer. It is not to be used for construction. The contractor shall be responsible for the accuracy of the dimensions and quantities shown on this drawing. The contractor shall be responsible for the accuracy of the dimensions and quantities shown on this drawing. The contractor shall be responsible for the accuracy of the dimensions and quantities shown on this drawing.

McFarland-Johnson, Inc.
 Date: 12-17-03
 By: SFD

RESERVED FOR STAMPS



FLANGE DIAGRAM FOR 1G1A (1 REQ'D)
NTS



DETAIL 1
NTS

DETAIL 2
NTS

NOTICE
 This drawing shall not be used or reproduced in any manner, nor shall any similar drawings or structures be made therefrom, nor shall the information thereon be used for any purpose other than that for which it is released without the written consent of an officer of EASTERN BRIDGE LLC.

DRAWINGS PREPARED BY:
 AMEC E&C SERVICES LTD, 4785 1ST AVENUE, SUITE 120, CHARLESBOURG (QUEBEC), CANADA G1H 2T3 #030731-EAS

REV	DATE	DESCRIPTION	QTY	DATE	ISSUED TO	FOR
1	11/17/03	FRANK W. WHITCOMB CONSTRUCTION CO.				APPROVAL

PROJECT: BRIDGE #12 VT 103-TH OVER WILLIAMS RIVER
 LOCATION: CHESTER, VERMONT
 ENGINEER: MCFARLAND-JOHNSON, INC.
 CUSTOMER: EASTERN BRIDGE LLC
 DRAWING TITLE: FLANGE SPlicing DIAGRAM FOR GIRDER 1G1A
 DRAWN BY: D.B. 10/20/03 JOB NUMBER: 4065 SHEET NUMBER: FS1
 CHECKED BY: L.D. 11/14/03

EASTERN BRIDGE LLC
 RURAL RTE 2, BOX 302
 CLAREMONT, NH 03743
 603-542-5202