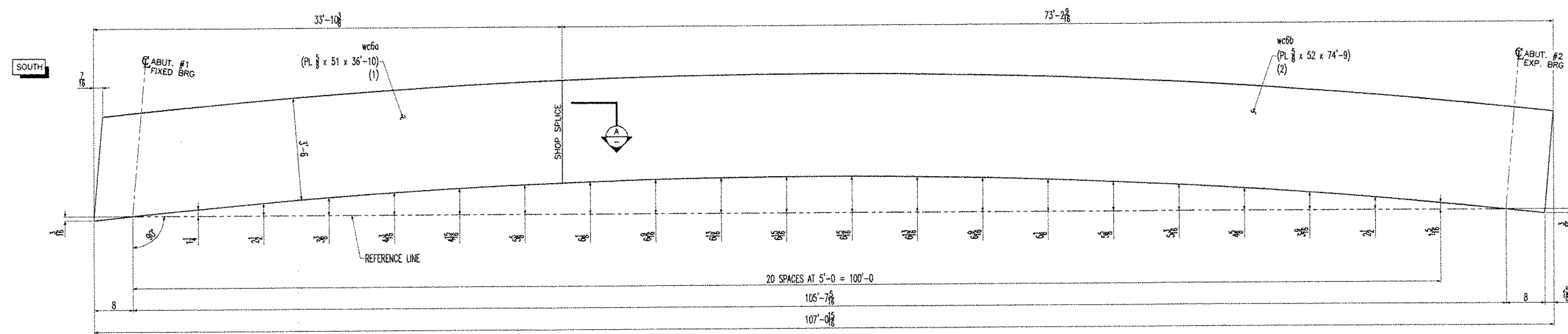
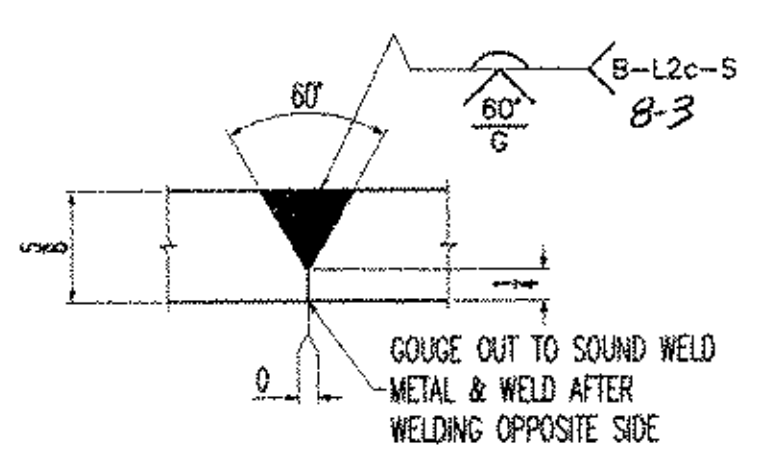


HORIZONTAL CURVE DIAGRAM FOR 6G6A (1 REQ'D)
NTS



CAMBER DIAGRAM FOR GIRDER 6G6A (1 REQ'D)
NTS



SECTION A-A
NTS

- NOTES:
1- GENERAL NOTES: SEE DRAWING GN1
2- HOLES : 15/16" (U.N.O.)

<input checked="" type="checkbox"/> Revised	<input type="checkbox"/> Furnish as Ordered
<input type="checkbox"/> Rejected	<input type="checkbox"/> Revised by _____
	<input type="checkbox"/> Submits to _____

This drawing is for general information only. It is not to be used for construction or for any other purpose without the written consent of Eastern Bridge LLC. The user assumes all responsibility for the accuracy and completeness of the information provided. The user shall indemnify and hold Eastern Bridge LLC harmless from and against all claims, damages, losses, and expenses, including reasonable attorneys' fees, arising out of or from the use of this drawing.

Date: 12-17-03
By: SFD

RESERVED FOR STAMPS

DRAWINGS PREPARED BY:
AMEC E&C SERVICES LTD, 4765 1ST AVENUE, SUITE 120, CHARLESBOURG (QUEBEC), CANADA G1H 2T3 #030731-EAS

REV	DATE	DESCRIPTION	QTY	DATE	ISSUED TO	FOR
1	11/17/03	FRANK W. WHITCOMB CONSTRUCTION CO.				APPROVAL

NOTICE
This drawing shall not be used or reproduced in any manner, nor shall any similar drawings or structures be made therefrom, nor shall the information thereon be used for any purpose other than that for which it is released without the written consent of an officer of EASTERN BRIDGE LLC.

EASTERN BRIDGE LLC
RURAL RTE 2, BOX 302
CLAREMONT, NH 03743
603-542-5202

PROJECT: BRIDGE #12 VT 103-TH OVER WILLIAMS RIVER
LOCATION: CHESTER, VERMONT
ENGINEER: MCFARLAND-JOHNSON, INC.
CUSTOMER: EASTERN BRIDGE LLC
DRAWING TITLE: CAMBER AND HORIZONTAL DIAGRAM FOR 6G6A
DRAWN BY: D.B. 10/29/03 JOB
CHECKED BY: L.D. 11/14/03 NUMBER: 4065 SHEET NUMBER: WC6