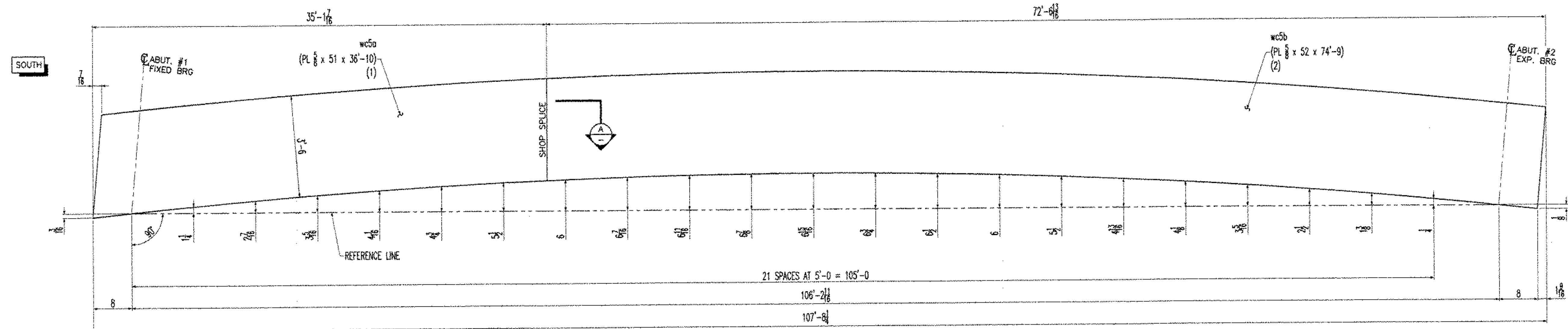
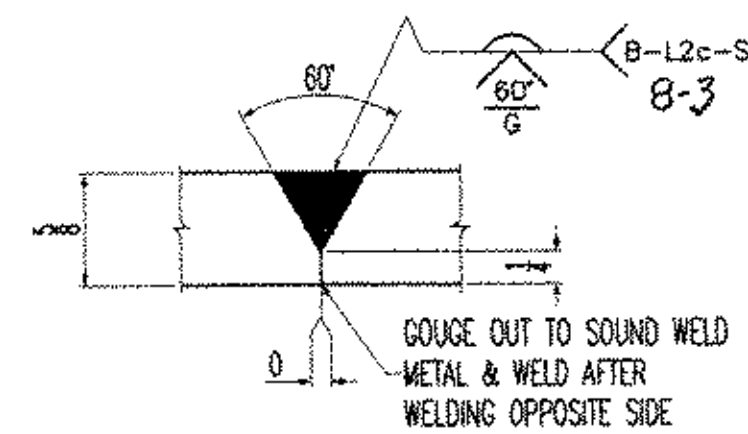


HORIZONTAL CURVE DIAGRAM FOR 5G5A (1 REQ'D)  
NTS



CAMBER DIAGRAM FOR GIRDER 5G5A (1 REQ'D)  
NTS



SECTION A-A  
NTS

- NOTES:  
1- GENERAL NOTES: SEE DRAWING GN1  
2- HOLES : 15/16" (U.N.O.)

<input checked="" type="checkbox"/> Reviewed	<input type="checkbox"/> Furnish as Committed
<input type="checkbox"/> Rejected	<input type="checkbox"/> Revise and Resubmit
	<input type="checkbox"/> Submit Specifications

The review is only for general conformance with the contract documents. It does not constitute an approval of the design or construction on the part of the engineer. The engineer shall not be responsible for any errors or omissions in the design or construction. The contractor shall be responsible for the accuracy of the dimensions and quantities shown on the drawings. The contractor shall be responsible for the safety of the construction process and for the protection of the public. The contractor shall be responsible for the procurement of materials and for the quality of the work. The contractor shall be responsible for the completion of the work in accordance with the contract documents.

McFarland-Johnson, Inc.  
Date: 12-17-03  
By: SFD

RESERVED FOR STAMPS

DRAWINGS PREPARED BY:  
AMEC E&C SERVICES LTD, 4765 1ST AVENUE, SUITE 120, CHARLESBOURG (QUEBEC), CANADA G1H 2T3 #030731-EAS

REV	DATE	DESCRIPTION	QTY	DATE	ISSUED TO	APPROVAL	FOR
1	11/17/03	FRANK W. WHITCOMB CONSTRUCTION CO.					



EASTERN BRIDGE LLC  
RURAL RTE 2, BOX 302  
CLAREMONT, NH 03743  
803-542-5202

PROJECT: BRIDGE #12 VT 103-TH OVER WILLIAMS RIVER	SHEET NUMBER: WC5
LOCATION: CHESTER, VERMONT	
ENGINEER: MCFARLAND-JOHNSON, INC.	
CUSTOMER: EASTERN BRIDGE LLC	
DRAWING TITLE: CAMBER AND HORIZONTAL DIAGRAM FOR 5G5A	
DRAWN BY: D.B. 10/29/03 JOB	
CHECKED BY: L.D. 11/14/03 NUMBER: 4065	

NOTICE  
This drawing shall not be used or reproduced in any manner, nor shall any similar drawings or structures be made therefrom, nor shall the information thereon be used for any purpose other than that for which it is released without the written consent of an officer of EASTERN BRIDGE LLC.