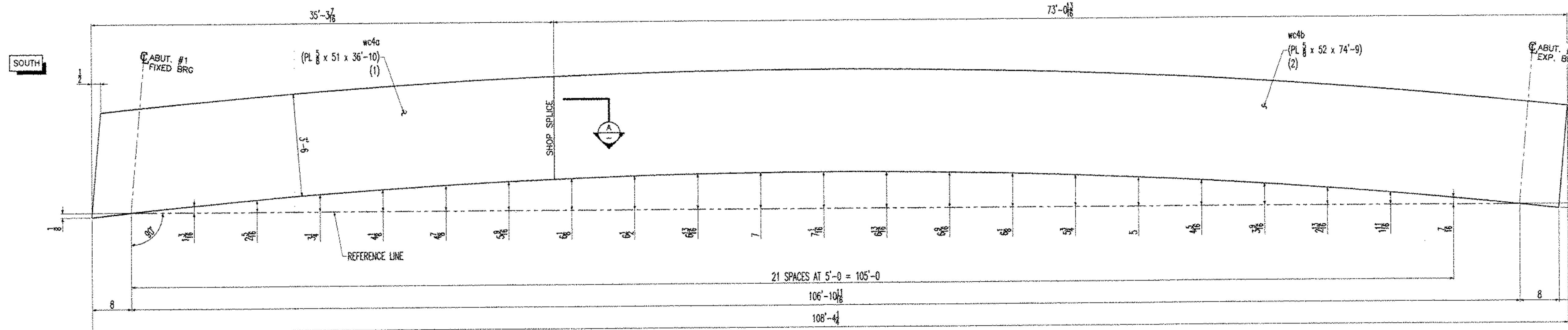
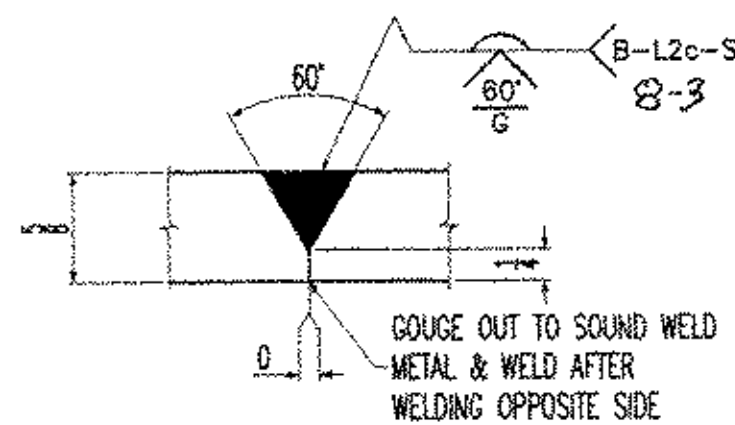


HORIZONTAL CURVE DIAGRAM FOR 4G4A (1 REQ'D)
NTS



CAMBER DIAGRAM FOR GIRDER 4G4A (1 REQ'D)
NTS



SECTION A-A
NTS

NOTES:
1- GENERAL NOTES: SEE DRAWING GN1
2- HOLES: 15/16" (U.N.O.)

<input checked="" type="checkbox"/> Reviewed	<input type="checkbox"/> Furnish as Corrected
<input type="checkbox"/> Rejected	<input type="checkbox"/> Revise and Re-submit
	<input type="checkbox"/> Submit Separately

The user is only for general information with the design. The user shall not be held responsible for any errors or omissions on the drawings. The user shall not be held responsible for any errors or omissions on the drawings. The user shall not be held responsible for any errors or omissions on the drawings.

McFarland-Johnson, Inc.
Date: 12-17-03
By: SFD

RESERVED FOR STAMPS

DRAWINGS PREPARED BY:
AMEC E&C SERVICES LTD, 4765 1ST AVENUE, SUITE 120, CHARLESBOURG (QUEBEC), CANADA G1H 2T3 #030731-EAS

REV	DATE	DESCRIPTION	QTY	DATE	ISSUED TO	FOR
1	11/17/03	FRANK W. WHITCOMB CONSTRUCTION CO.			APPROVAL	

PROJECT: BRIDGE #12 VT 103-TH OVER WILLIAMS RIVER
LOCATION: CHESTER, VERMONT
ENGINEER: MCFARLAND-JOHNSON, INC.
CUSTOMER: EASTERN BRIDGE LLC
DRAWING TITLE: CAMBER AND HORIZONTAL DIAGRAM FOR 4G4A
DRAWN BY: D.B. 10/28/03 JOB NUMBER: 4065 SHEET NUMBER: WC4
CHECKED BY: L.D. 11/14/03

NOTICE
This drawing shall not be used or reproduced in any manner, nor shall any similar drawings or structures be made herefrom, nor shall the information thereon be used for any purpose other than that for which it is released without the written consent of an officer of EASTERN BRIDGE LLC.