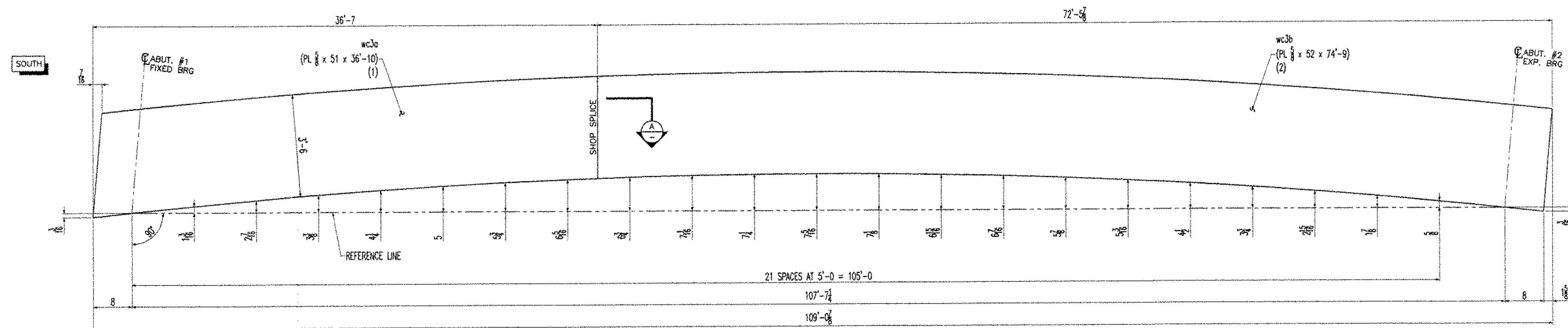
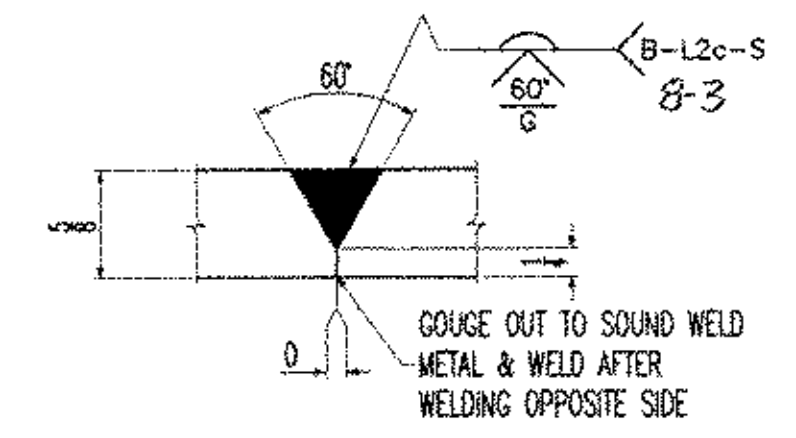


HORIZONTAL CURVE DIAGRAM FOR 3G3A (1 REQ'D)
NTS



CAMBER DIAGRAM FOR GIRDER 3G3A (1 REQ'D)
NTS



SECTION A-A
NTS

NOTES:
1- GENERAL NOTES: SEE DRAWING GN1
2- HOLES: 15/16" (U.N.O.)

<input checked="" type="checkbox"/> Reviewed	<input type="checkbox"/> Furnish as Corrected
<input type="checkbox"/> Rejected	<input type="checkbox"/> Revise and Resubmit
	<input type="checkbox"/> Submit Special Form

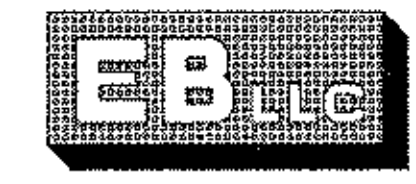
This review is only for general conformance with the design and specifications. It does not constitute an approval of the design or the construction documents. Corrections of errors, omissions or other deficiencies shall be made by the designer. The reviewer does not release the contractor from its responsibility for the design and specifications. The contractor shall be responsible for the construction of the work in accordance with the design and specifications. The contractor shall be responsible for the safety of the work and for the safety of all other persons and property.

McFarland-Johnson, Inc.
Date: 12-17-03
By: SFD

RESERVED FOR STAMPS

DRAWINGS PREPARED BY:
AMEC E&C SERVICES LTD, 4765 1ST AVENUE, SUITE 120, CHARLESBOURG (QUEBEC), CANADA G1H 2T3 #030731-EAS

REV	DATE	DESCRIPTION	QTY	DATE	ISSUED TO	FOR
1	11/17/03	FRANK W. WHITCOMB CONSTRUCTION CO.				APPROVAL



EASTERN BRIDGE LLC
RURAL RTE 2, BOX 302
CLAREMONT, NH 03743
603-542-5202

NOTICE
This drawing shall not be used or reproduced in any manner, nor shall any similar drawings or structures be made therefrom, nor shall the information thereon be used for any purpose other than that for which it is released without the written consent of an officer of EASTERN BRIDGE LLC.

PROJECT: BRIDGE #12 VT 103-TH OVER WILLIAMS RIVER	
LOCATION: CHESTER, VERMONT	
ENGINEER: MCFARLAND-JOHNSON, INC.	
CUSTOMER: EASTERN BRIDGE LLC	
DRAWING TITLE: CAMBER AND HORIZONTAL DIAGRAM FOR 3G3A	
DRAWN BY: D.B.	10/28/03
CHECKED BY: L.D.	11/14/03
JOB NUMBER: 4065	SHEET NUMBER: WC3