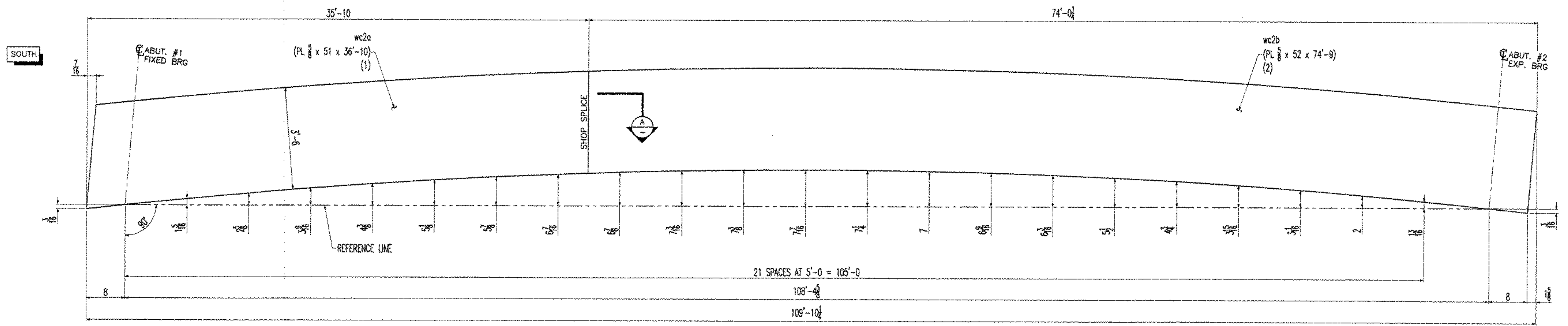
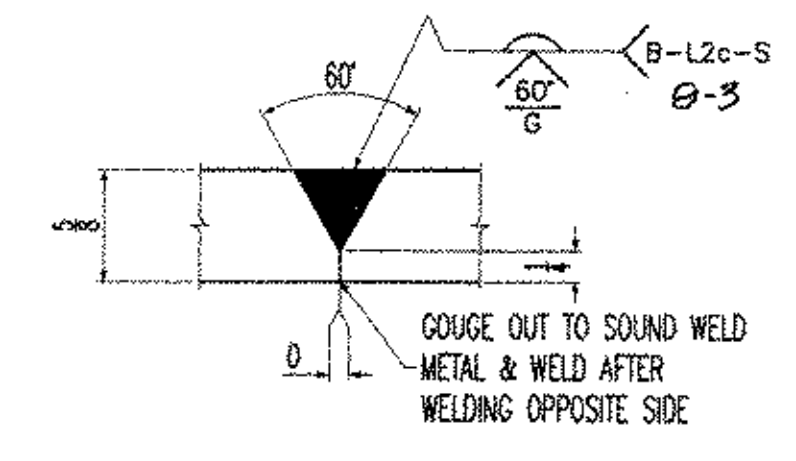


HORIZONTAL CURVE DIAGRAM FOR 2G2A (1 REQ'D)
NTS



CAMBER DIAGRAM FOR GIRDER 2G2A (1 REQ'D)
NTS



SECTION A-A
NTS

NOTES:
1- GENERAL NOTES: SEE DRAWING GN1
2- HOLES : 15/16" (U.N.O.)

<input checked="" type="checkbox"/> Reviewed	<input type="checkbox"/> Furnish as Corrected
<input type="checkbox"/> Rejected	<input type="checkbox"/> Revise and Resubmit
	<input type="checkbox"/> Submit Specified Item

The fabricator shall be responsible for the design, construction and erection of the structure. The contractor shall be responsible for the erection of the structure. The contractor shall be responsible for the erection of the structure. The contractor shall be responsible for the erection of the structure.

McFarland-Johnson, Inc.
Date: 12-17-03
By: SFD

RESERVED FOR STAMPS

DRAWINGS PREPARED BY:
AMEC E&C SERVICES LTD, 4765 1ST AVENUE, SUITE 120, CHARLESBOURG (QUEBEC), CANADA G1H 2T3 #030731-EAS

REV	DATE	DESCRIPTION	QTY	DATE	ISSUED TO	APPROVAL	FOR

NOTICE
This drawing shall not be used or reproduced in any manner, nor shall any similar drawings or structures be made therefrom, nor shall the information thereon be used for any purpose other than that for which it is released without the written consent of an officer of EASTERN BRIDGE LLC.

PROJECT: BRIDGE #12 VT 103-TH OVER WILLIAMS RIVER
LOCATION: CHESTER, VERMONT
ENGINEER: MCFARLAND-JOHNSON, INC.
CUSTOMER: EASTERN BRIDGE LLC

DRAWING TITLE: CAMBER AND HORIZONTAL DIAGRAM FOR 2G2A
DRAWN BY: D.B. 10/22/03
CHECKED BY: L.D. 11/14/03
NUMBER: 4065

SHEET NUMBER: WC2

EASTERN BRIDGE LLC
RURAL RTE 2, BOX 302
CLAREMONT, NH 03743
603-542-5202