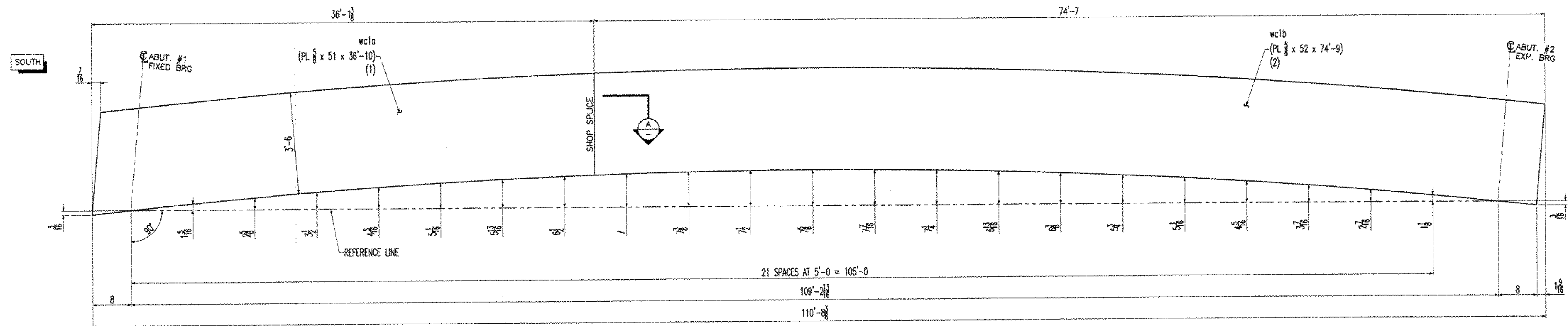
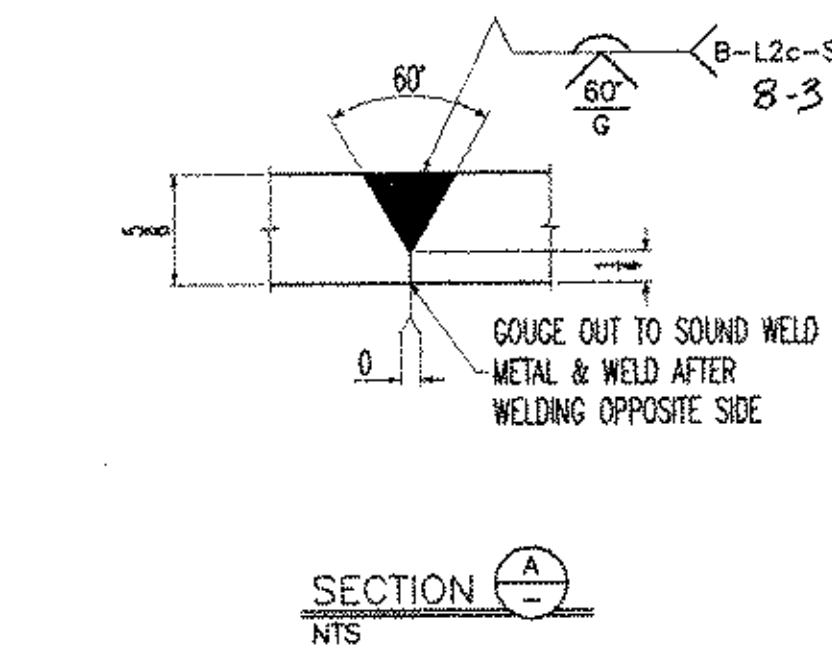


HORIZONTAL CURVE DIAGRAM FOR 1G1A (1 REQ'D)
NTS



CAMBER DIAGRAM FOR GIRDER 1G1A (1 REQ'D)
NTS



SECTION A-A
NTS

NOTES:
1- GENERAL NOTES: SEE DRAWING GNT
2- HOLES: 15/16" (U.O.)

<input checked="" type="checkbox"/> Reviewed	<input type="checkbox"/> Furnish as Corrected
<input type="checkbox"/> Rejected	<input type="checkbox"/> Revise and Resubmit
	<input type="checkbox"/> Submit Specified Item

This review is only for general conformance with the design and construction of the structure. It does not constitute an approval of the design or construction. The contractor is responsible for the design and construction of the structure. The contractor is responsible for the design and construction of the structure. The contractor is responsible for the design and construction of the structure.

McFarland-Johnson, Inc.
Date: 12-17-03
By: SFD

RESERVED FOR STAMPS

DRAWINGS PREPARED BY:
AMEC E&C SERVICES LTD, 4785 1ST AVENUE, SUITE 120, CHARLESBOURG (QUEBEC), CANADA G1H 2T3 #030731-EAS

REV	DATE	DESCRIPTION	QTY	DATE	ISSUED TO	FOR
1	11/17/03	FRANK W. WHITCOMB CONSTRUCTION CO.				APPROVAL

NOTICE
This drawing shall not be used or reproduced in any manner, nor shall any similar drawings or structures be made therefrom, nor shall the information thereon be used for any purpose other than that for which it is released without the written consent of an officer of EASTERN BRIDGE LLC.

EASTERN BRIDGE LLC
RURAL RTE 2, BOX 302
CLAREMONT, NH 03743
603-542-5202

PROJECT: BRIDGE #12 VT 103-TN OVER WILLIAMS RIVER
LOCATION: CHESTER, VERMONT
ENGINEER: MCFARLAND-JOHNSON, INC.
CUSTOMER: EASTERN BRIDGE LLC
DRAWING TITLE: CAMBER AND HORIZONTAL DIAGRAM FOR 1G1A
DRAWN BY: D.B. 10/14/03 JOB
CHECKED BY: L.D. 11/14/03 NUMBER: 4065 SHEET NUMBER: WC1