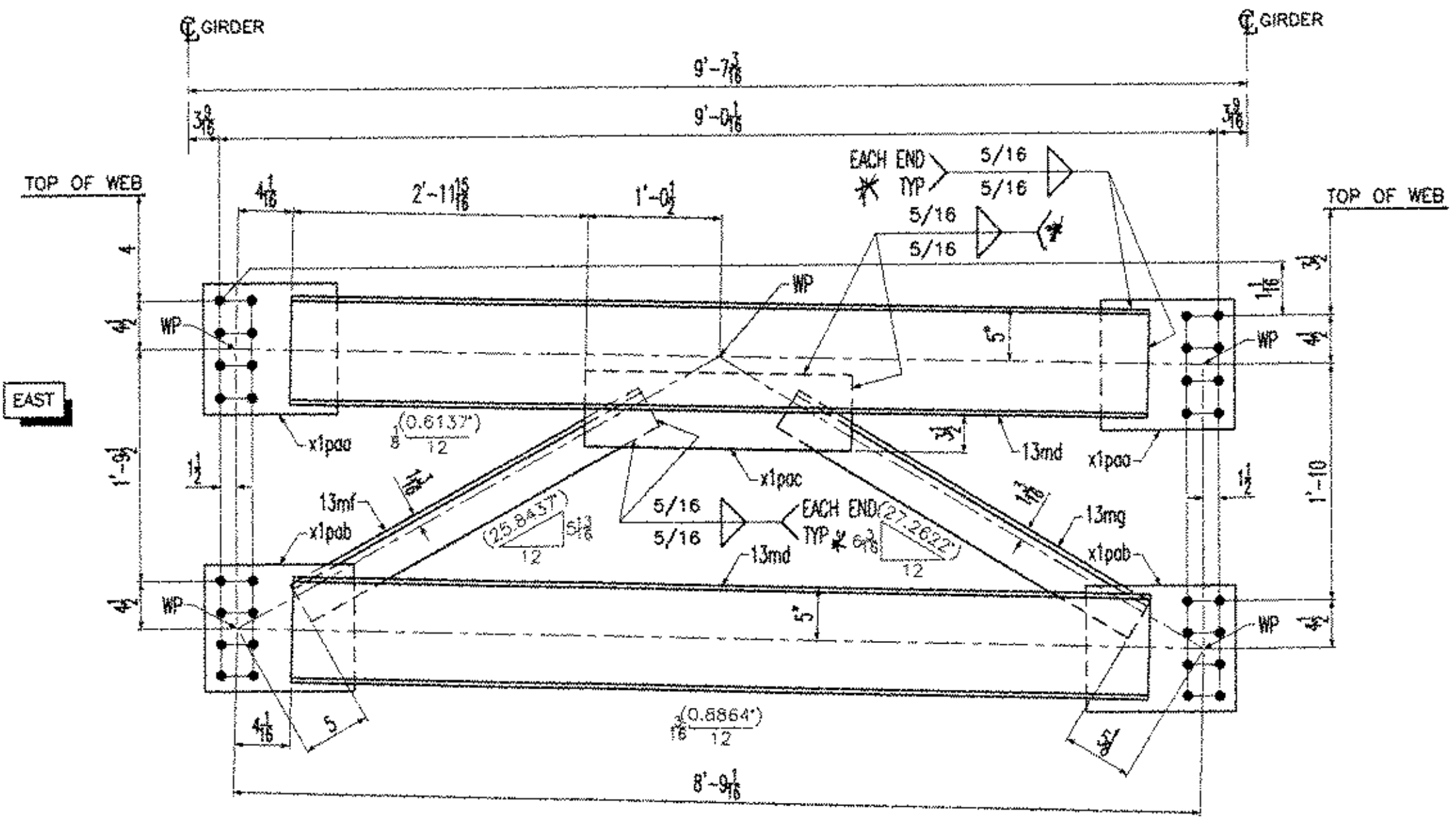
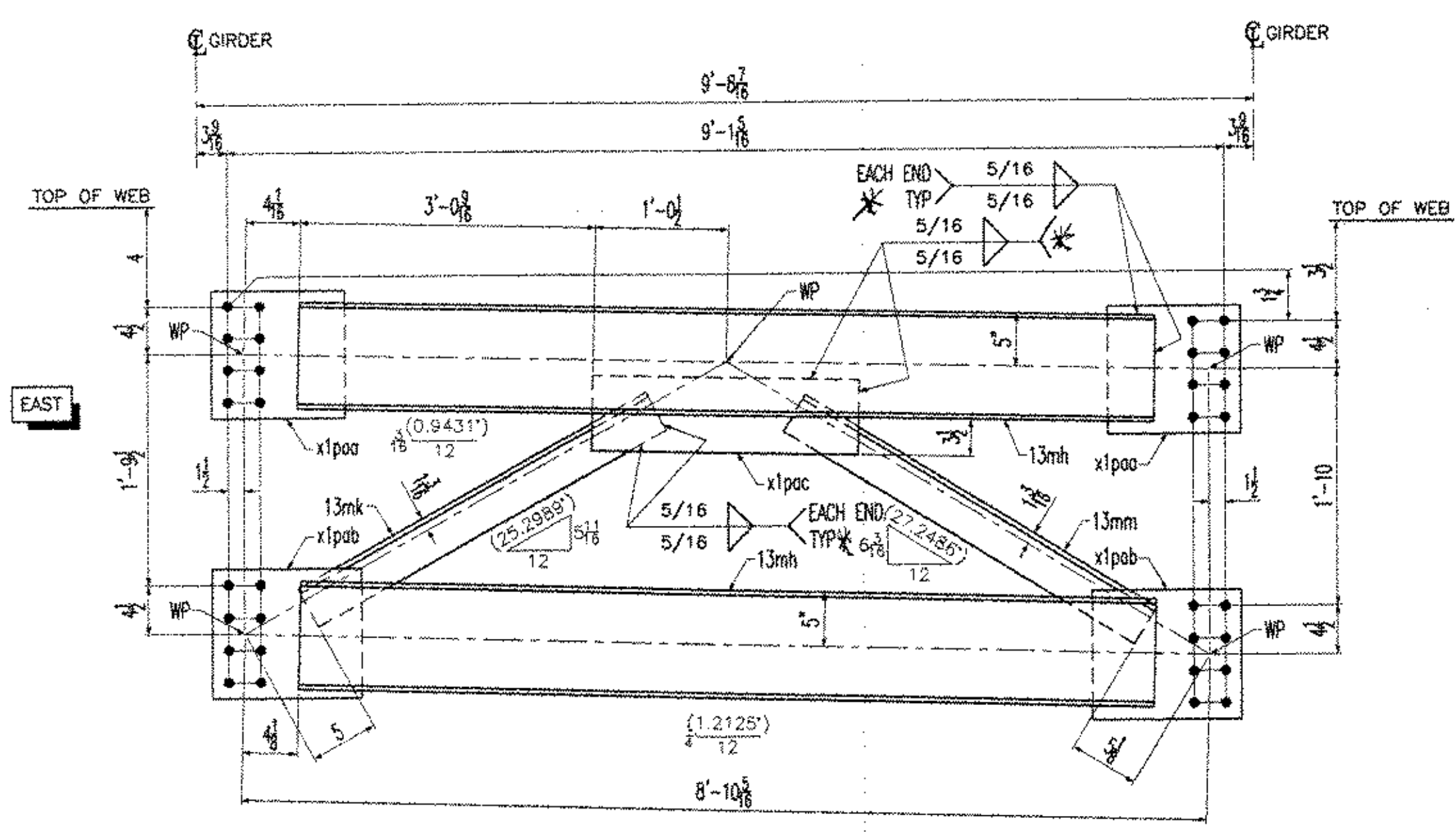


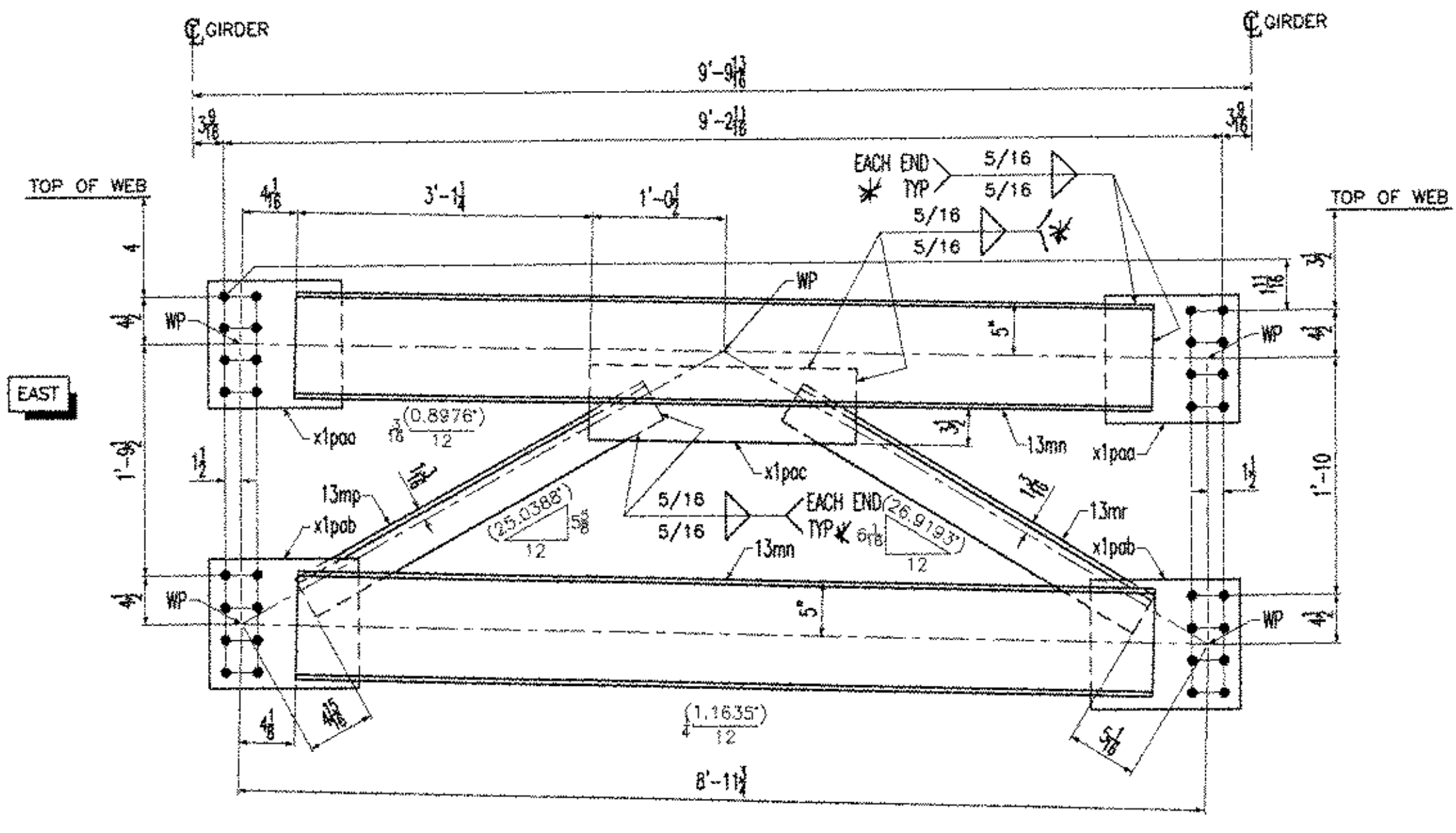
ITEM 13CF1A (1 REQ'D)
NTS



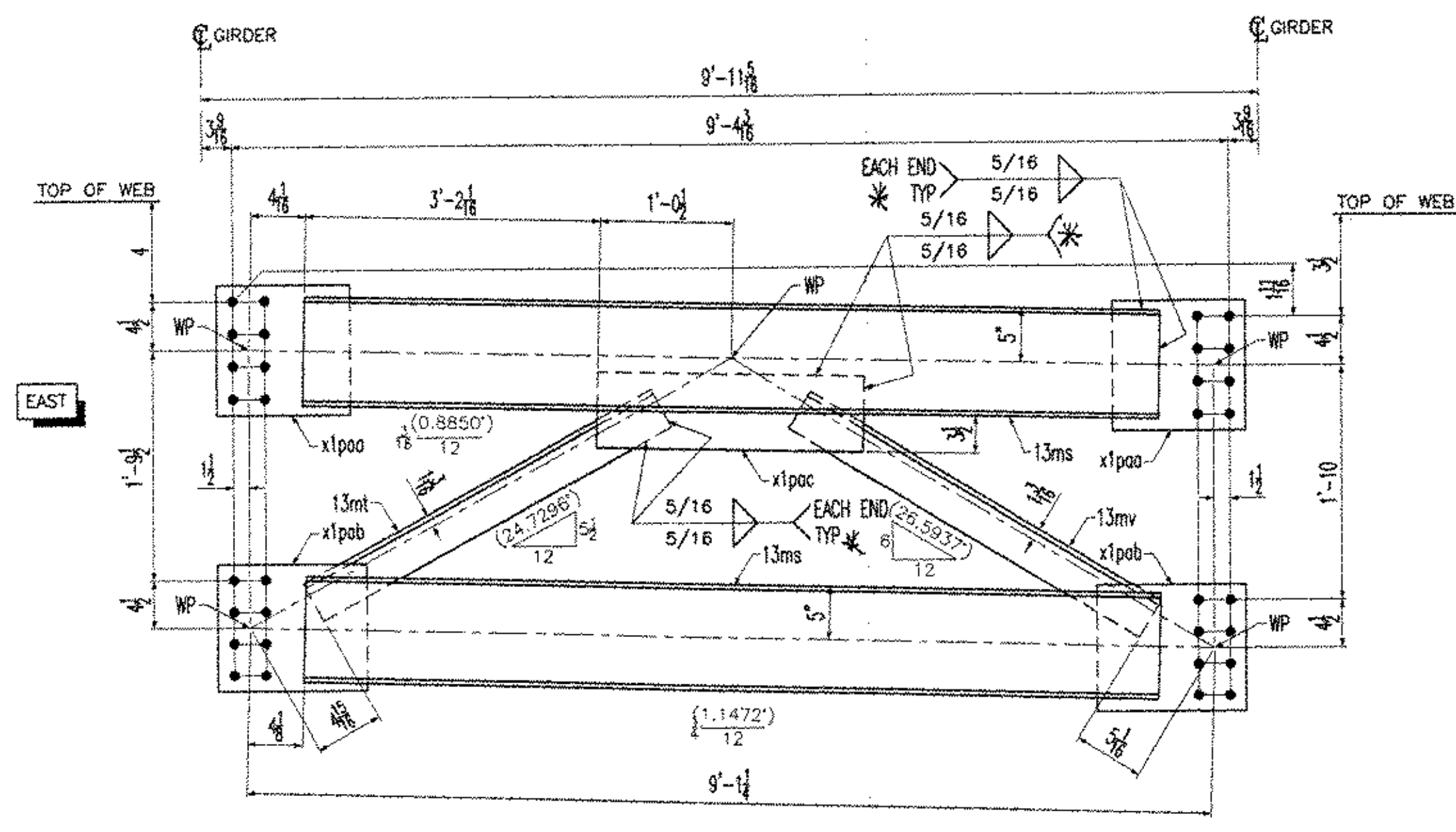
ITEM 13CF1B (1 REQ'D)
NTS



ITEM 13CF1C (1 REQ'D)
NTS



ITEM 13CF1D (1 REQ'D)
NTS



ITEM 13CF1E (1 REQ'D)
NTS

* ALL CROSSFRAME FILLET WELDS:
WPS 10-1-R 00-03

Drawing Number	Revision Number	Ship Mark	Place Mark	Qty	Type of Material	Size of Material	Grade	Length	Weight	Finish	Notes
13		13CF1A	13ma	2	C Channels	10x20	M270M-GR50W	7'-11 1/8"	319	(CVN)	20
13		13CF1A	13mb	1	L Angles	4x4x1/2	M270M-GR50W	3'-8 5/8"	47	(CVN)	17
13		13CF1A	13mc	1	L Angles	4x4x1/2	M270M-GR50W	3'-9 9/16"	48	(CVN)	17
13		13CF1A	x1paa	2	PL Plate	1/2x12	M270M-GR50W	0'-11 1/2"	20	(CVN)	14
13		13CF1A	x1pac	2	PL Plate	1/2x12	M270M-GR50W	1'-1"	22	(CVN)	14
13		13CF1A	x1pab	2	PL Plate	1/2x12	M270M-GR50W	2'-1"	25	(CVN)	13
13		13CF1B	13md	2	C Channels	10x20	M270M-GR50W	8'-0 15/16"	323	(CVN)	20
13		13CF1B	13mf	1	L Angles	4x4x1/2	M270M-GR50W	3'-9 5/16"	48	(CVN)	17
13		13CF1B	13mg	1	L Angles	4x4x1/2	M270M-GR50W	3'-10"	49	(CVN)	17
13		13CF1B	x1paa	2	PL Plate	1/2x12	M270M-GR50W	0'-11 1/2"	20	(CVN)	14
13		13CF1B	x1pab	2	PL Plate	1/2x12	M270M-GR50W	1'-1"	22	(CVN)	14
13		13CF1B	x1pac	1	PL Plate	1/2x7	M270M-GR50W	2'-1"	25	(CVN)	13
13		13CF1C	13mh	2	C Channels	10x20	M270M-GR50W	8'-2 3/16"	327	(CVN)	20
13		13CF1C	13mk	1	L Angles	4x4x1/2	M270M-GR50W	3'-9 13/16"	48	(CVN)	17
13		13CF1C	13mm	1	L Angles	4x4x1/2	M270M-GR50W	3'-10 11/16"	49	(CVN)	17
13		13CF1C	x1paa	2	PL Plate	1/2x12	M270M-GR50W	0'-11 1/2"	20	(CVN)	14
13		13CF1C	x1pab	2	PL Plate	1/2x12	M270M-GR50W	1'-1"	22	(CVN)	14
13		13CF1C	x1pac	1	PL Plate	1/2x7	M270M-GR50W	2'-1"	25	(CVN)	13
13		13CF1D	13mn	2	C Channels	10x20	M270M-GR50W	8'-3 9/16"	332	(CVN)	20
13		13CF1D	13mp	1	L Angles	4x4x1/2	M270M-GR50W	3'-10 1/2"	49	(CVN)	17
13		13CF1D	13mr	1	L Angles	4x4x1/2	M270M-GR50W	3'-11 5/16"	50	(CVN)	17
13		13CF1D	x1paa	2	PL Plate	1/2x12	M270M-GR50W	0'-11 1/2"	20	(CVN)	14
13		13CF1D	x1pab	2	PL Plate	1/2x12	M270M-GR50W	1'-1"	22	(CVN)	14
13		13CF1D	x1pac	1	PL Plate	1/2x7	M270M-GR50W	2'-1"	25	(CVN)	13
13		13CF1E	13ms	2	C Channels	10x20	M270M-GR50W	8'-5 1/8"	337	(CVN)	20
13		13CF1E	13mt	1	L Angles	4x4x1/2	M270M-GR50W	3'-11 3/16"	50	(CVN)	17
13		13CF1E	13mv	1	L Angles	4x4x1/2	M270M-GR50W	4'-0"	51	(CVN)	17
13		13CF1E	x1paa	2	PL Plate	1/2x12	M270M-GR50W	0'-11 1/2"	20	(CVN)	14
13		13CF1E	x1pab	2	PL Plate	1/2x12	M270M-GR50W	1'-1"	22	(CVN)	14
13		13CF1E	x1pac	1	PL Plate	1/2x7	M270M-GR50W	2'-1"	25	(CVN)	13

TOTAL WEIGHT	2462
- CUTS	
+ FIELD BOLTS	REFER TO 'E' DWG
+ WELD	30
NET TOTAL	2492

NOTES:
1- GENERAL NOTES: SEE DRAWING GN1
2- HOLES: 15/16" (U.N.O.)

Revised
 Rejected
 Furnish as Computed
 Revise and Recalculate
 Submit Specifications

This drawing is for general information only. The fabricator shall be responsible for checking all dimensions and specifications on the shop drawings. The fabricator shall be responsible for checking all dimensions and specifications on the shop drawings. The fabricator shall be responsible for checking all dimensions and specifications on the shop drawings.

Date: 12-17-03
 By: RSW

RESERVED FOR STAMPS

DRAWINGS PREPARED BY:
AMEC E&C SERVICES LTD, 4765 1ST AVENUE, SUITE 120, CHARLESBOURG (QUEBEC), CANADA G1H 2T3 #030731-EAS

REV	DATE	DESCRIPTION	QTY	DATE	ISSUED TO	FOR

PROJECT: BRIDGE #12 VT 103-TH OVER WILLIAMS RIVER
 LOCATION: CHESTER, VERMONT
 ENGINEER: McFARLAND-JOHNSON, INC.
 CUSTOMER: EASTERN BRIDGE LLC
 DRAWING TITLE: ABUTMENT CROSS FRAMES
 DRAWN BY: D.B. 10/31/03 JOB
 CHECKED BY: L.D. 11/14/03 NUMBER: 4065 SHEET NUMBER: 13

NOTICE
This drawing shall not be used or reproduced in any manner, nor shall any similar drawings or structures be made therefrom, nor shall the information thereon be used for any purpose other than that for which it is released without the written consent of an officer of EASTERN BRIDGE LLC.

