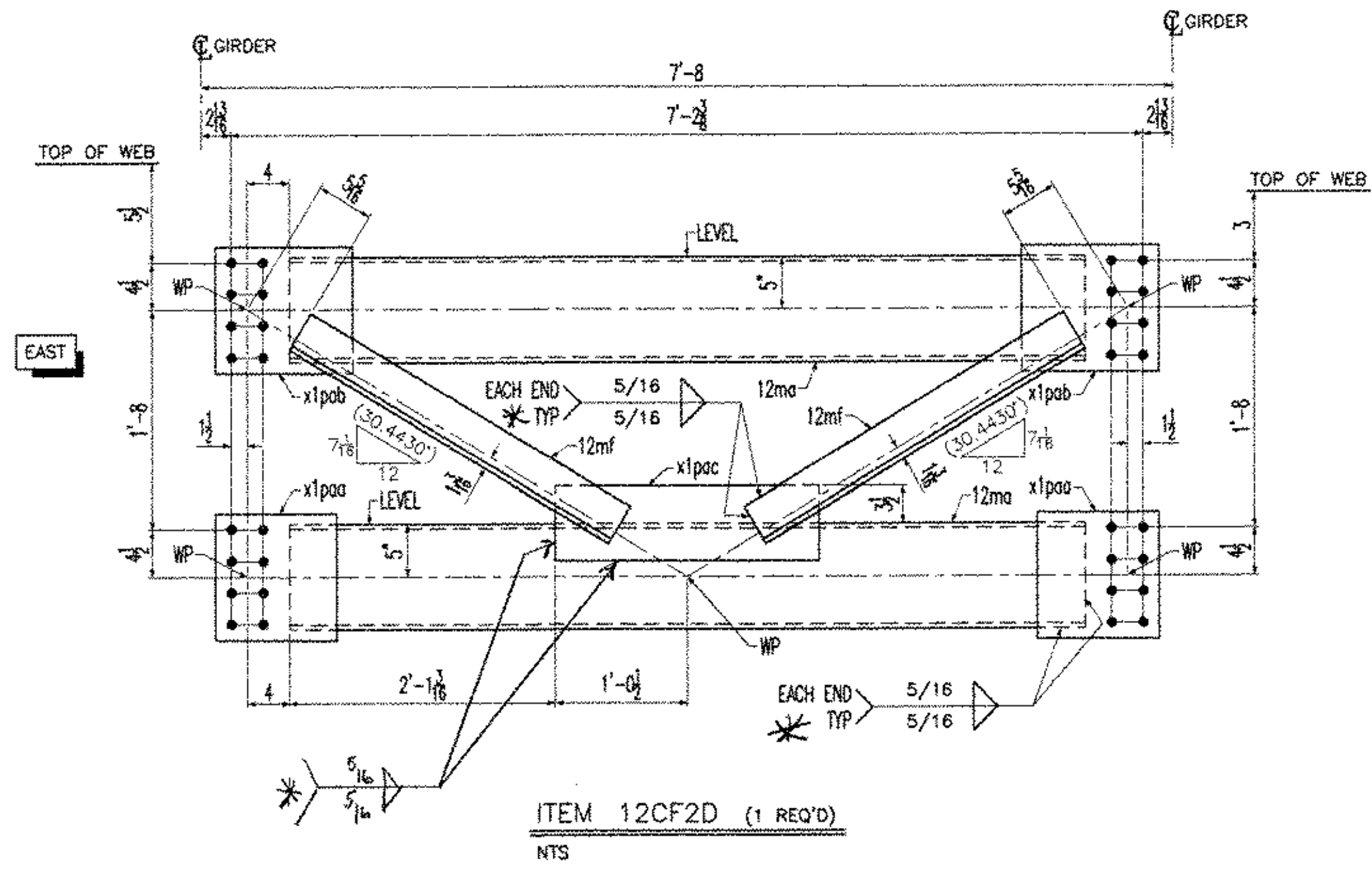
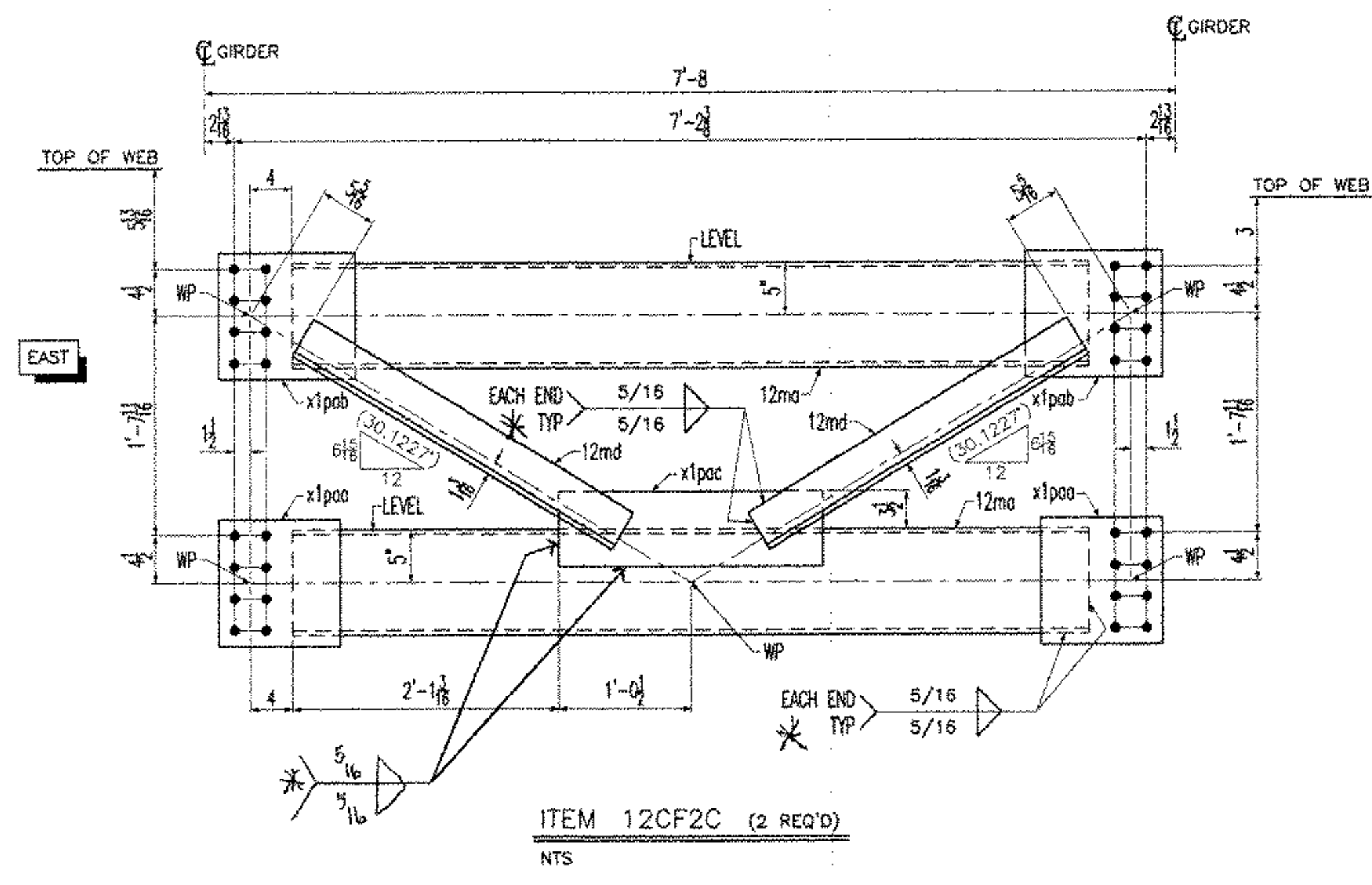
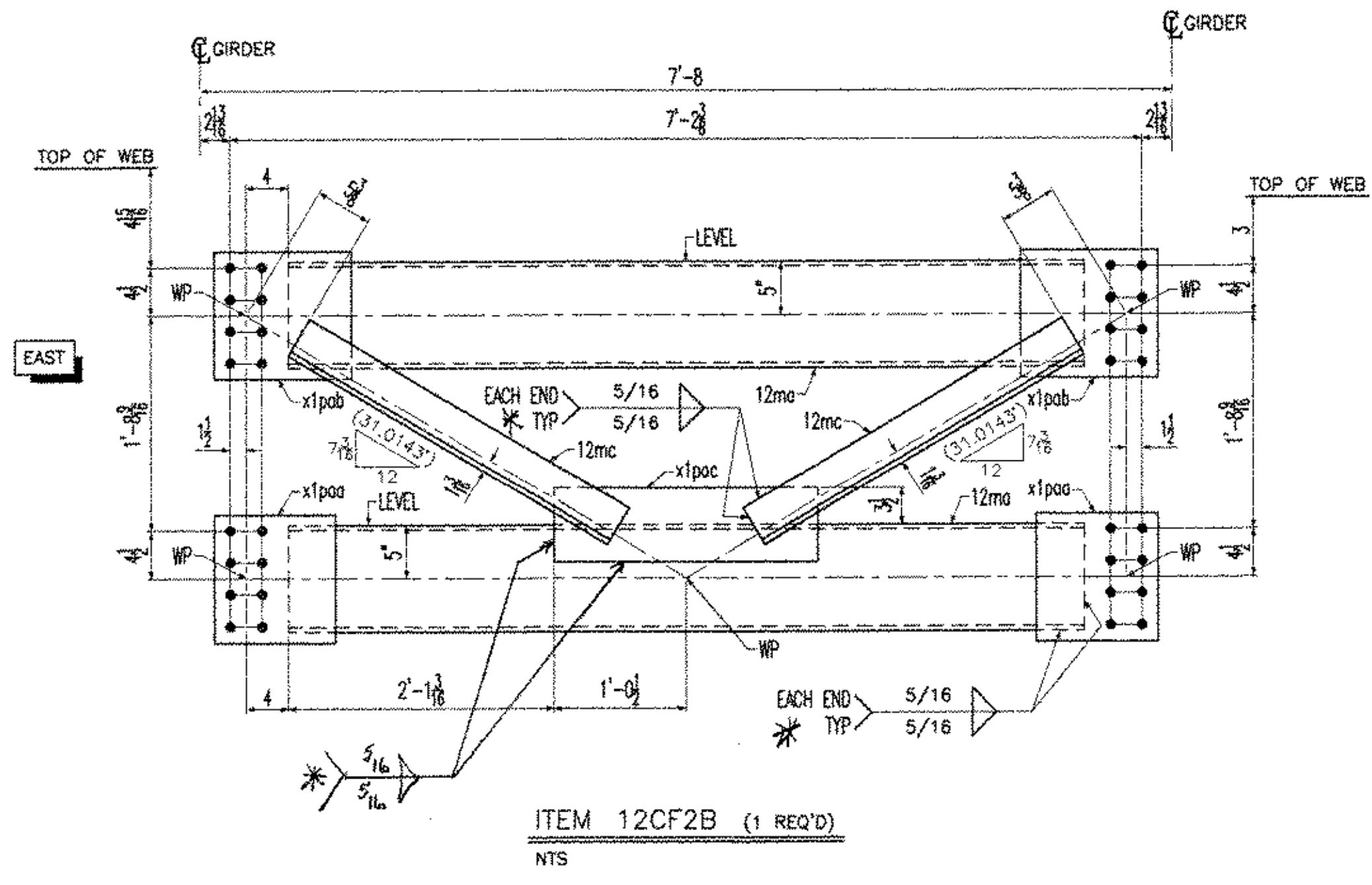
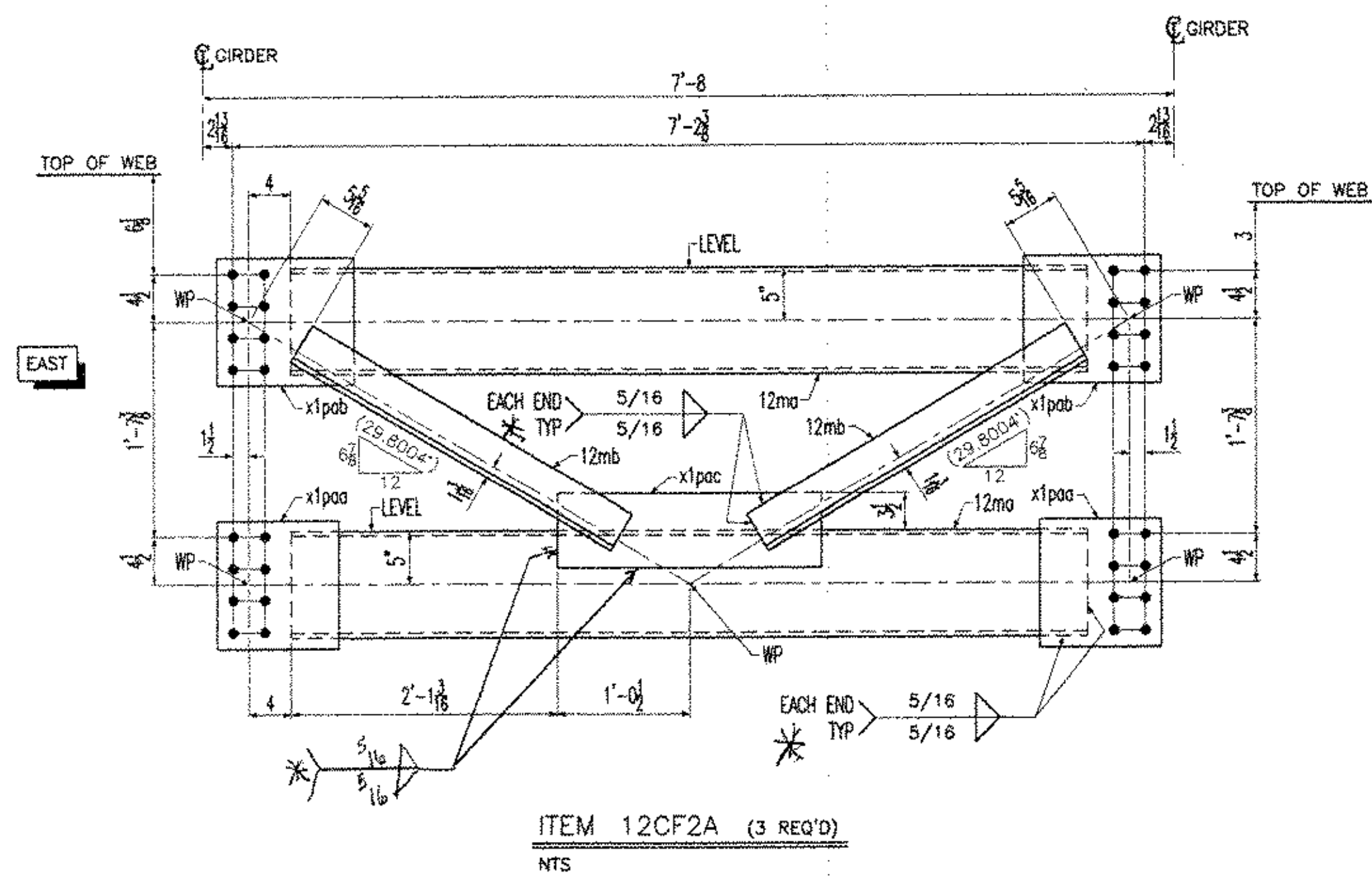


Drawing Number	Revision Number	Ship Mark	Piece Mark	Qty	Type of Material	Size of Material	Grade	Length	Weight	Finish	Notes
12		12CF2A	12ma	6	C Channel	10x20	M270M-GR50W	6'-3 3/8	753	(CVN)	18
12		12CF2A	12mb	6	L Angle	4x4x1/2	M270M-GR50W	2'-10 3/4	221	(CVN)	15
12		12CF2A	x1pac	6	PL Plate	1/2x12	M270M-GR50W	0'-11 1/2	60	(CVN)	14
12		12CF2A	x1pab	6	PL Plate	1/2x12	M270M-GR50W	1'-1	66	(CVN)	14
12		12CF2A	x1pac	3	PL Plate	1/2x7	M270M-GR50W	2'-1	75	(CVN)	13
12		12CF2B	12ma	2	C Channel	10x20	M270M-GR50W	6'-3 3/8	251	(CVN)	18
12		12CF2B	12mc	2	L Angle	4x4x1/2	M270M-GR50W	2'-11 1/4	75	(CVN)	15
12		12CF2B	x1pac	2	PL Plate	1/2x12	M270M-GR50W	0'-11 1/2	20	(CVN)	14
12		12CF2B	x1pab	2	PL Plate	1/2x12	M270M-GR50W	1'-1	22	(CVN)	14
12		12CF2B	x1pac	1	PL Plate	1/2x7	M270M-GR50W	2'-1	25	(CVN)	13
12		12CF2C	12ma	4	C Channel	10x20	M270M-GR50W	6'-3 3/8	502	(CVN)	18
12		12CF2C	12md	4	L Angle	4x4x1/2	M270M-GR50W	2'-10 7/8	148	(CVN)	15
12		12CF2C	x1pac	4	PL Plate	1/2x12	M270M-GR50W	0'-11 1/2	40	(CVN)	14
12		12CF2C	x1pab	4	PL Plate	1/2x12	M270M-GR50W	1'-1	44	(CVN)	14
12		12CF2C	x1pac	2	PL Plate	1/2x7	M270M-GR50W	2'-1	50	(CVN)	13
12		12CF2D	12ma	2	C Channel	10x20	M270M-GR50W	6'-3 3/8	251	(CVN)	18
12		12CF2D	12mf	2	L Angle	4x4x1/2	M270M-GR50W	2'-11	74	(CVN)	15
12		12CF2D	x1pac	2	PL Plate	1/2x12	M270M-GR50W	0'-11 1/2	20	(CVN)	14
12		12CF2D	x1pab	2	PL Plate	1/2x12	M270M-GR50W	1'-1	22	(CVN)	14
12		12CF2D	x1pac	1	PL Plate	1/2x7	M270M-GR50W	2'-1	25	(CVN)	13
TOTAL WEIGHT									2744		
- CUTS											
+ FIELD BOLTS									REFER TO 'E' DWG		
+ WELD									42		
NET TOTAL									2786		



* ALL CROSSFRAME FILED WELDS:
WPS 10-1 or 00-03

NOTES:
1- GENERAL NOTES: SEE DRAWING GN1
2- HOLES: 15/16" (U.N.O.)

- Reviewed
- Rejected
- Furnish as Contracted
- Revise and Resubmit
- Submit Specifications

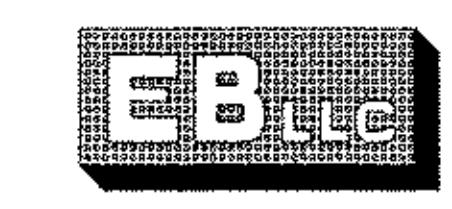
This drawing is only for general reference with the design. It is not to be used for construction. The contractor shall be responsible for the accuracy of the dimensions and specifications. The contractor shall be responsible for the interpretation of the drawing and the construction of the structure. The contractor shall be responsible for the safety of the construction and the safety of the workers.

Date: 12-17-03
By: RSW

RESERVED FOR STAMPS

DRAWINGS PREPARED BY:
AMEC E&C SERVICES LTD, 4765 1ST AVENUE, SUITE 120, CHARLESBOURG (QUEBEC), CANADA G1H 2T3 #030731-EAS

REV	DATE	DESCRIPTION	QTY	DATE	ISSUED TO	FOR
1	11/17/03	FRANK W. WHITCOMB CONSTRUCTION CO.				APPROVAL



EASTERN BRIDGE LLC
RURAL RTE 2, BOX 302
CLAREMONT, NH 03743
603-542-5202

NOTICE
This drawing shall not be used or reproduced in any manner, nor shall any similar drawings or structures be made therefrom, nor shall the information thereon be used for any purpose other than that for which it is released without the written consent of an officer of EASTERN BRIDGE LLC.

PROJECT: BRIDGE #12 VT 103-TH OVER WILLIAMS RIVER
LOCATION: CHESTER, VERMONT
ENGINEER: McFARLAND-JOHNSON, INC.
CUSTOMER: EASTERN BRIDGE LLC
DRAWING TITLE: INTERMEDIATE CROSS FRAMES
DRAWN BY: D.B. 10/31/03
CHECKED BY: L.D. 11/14/03
JOB NUMBER: 4065
SHEET NUMBER: 12