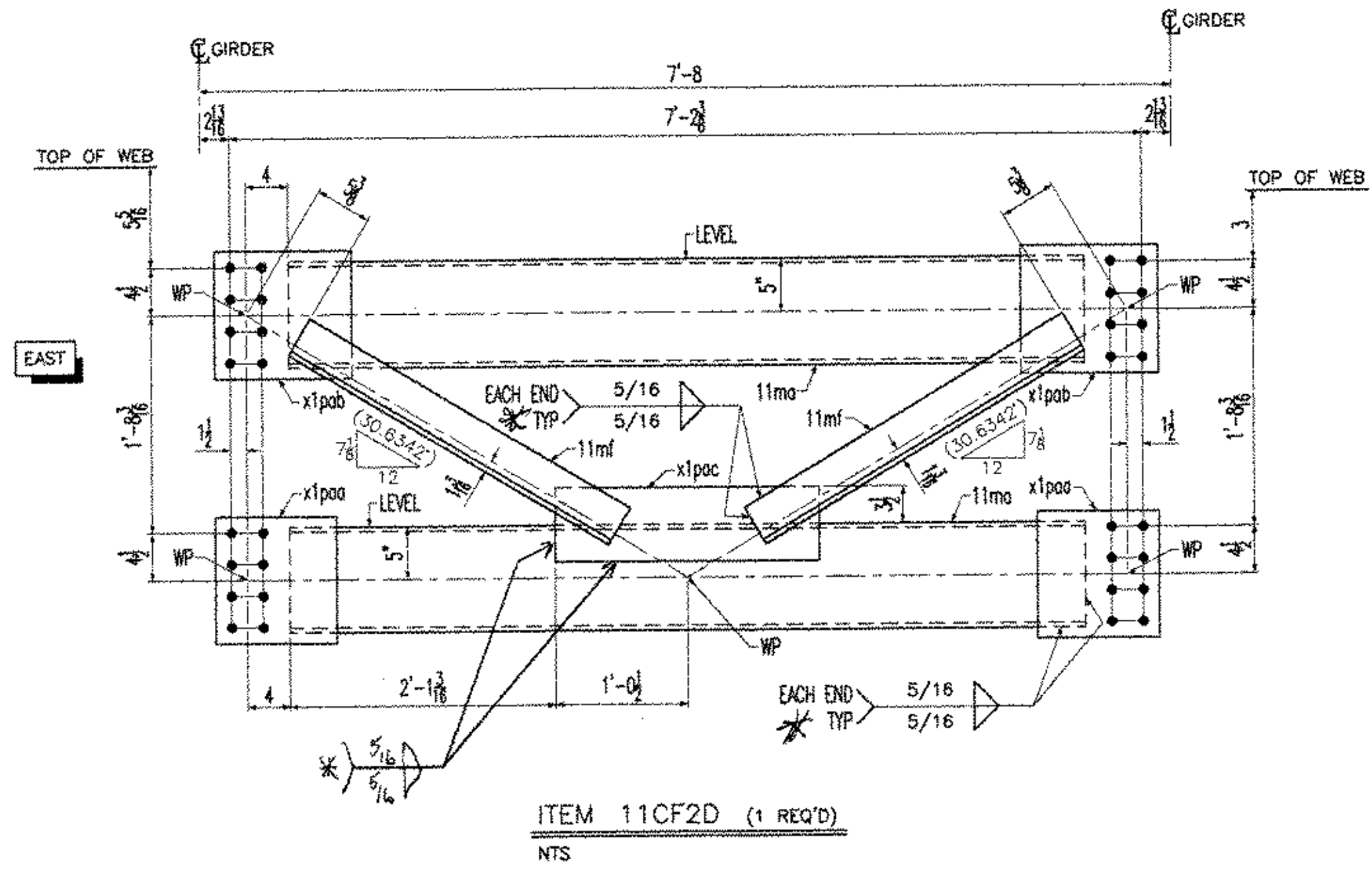
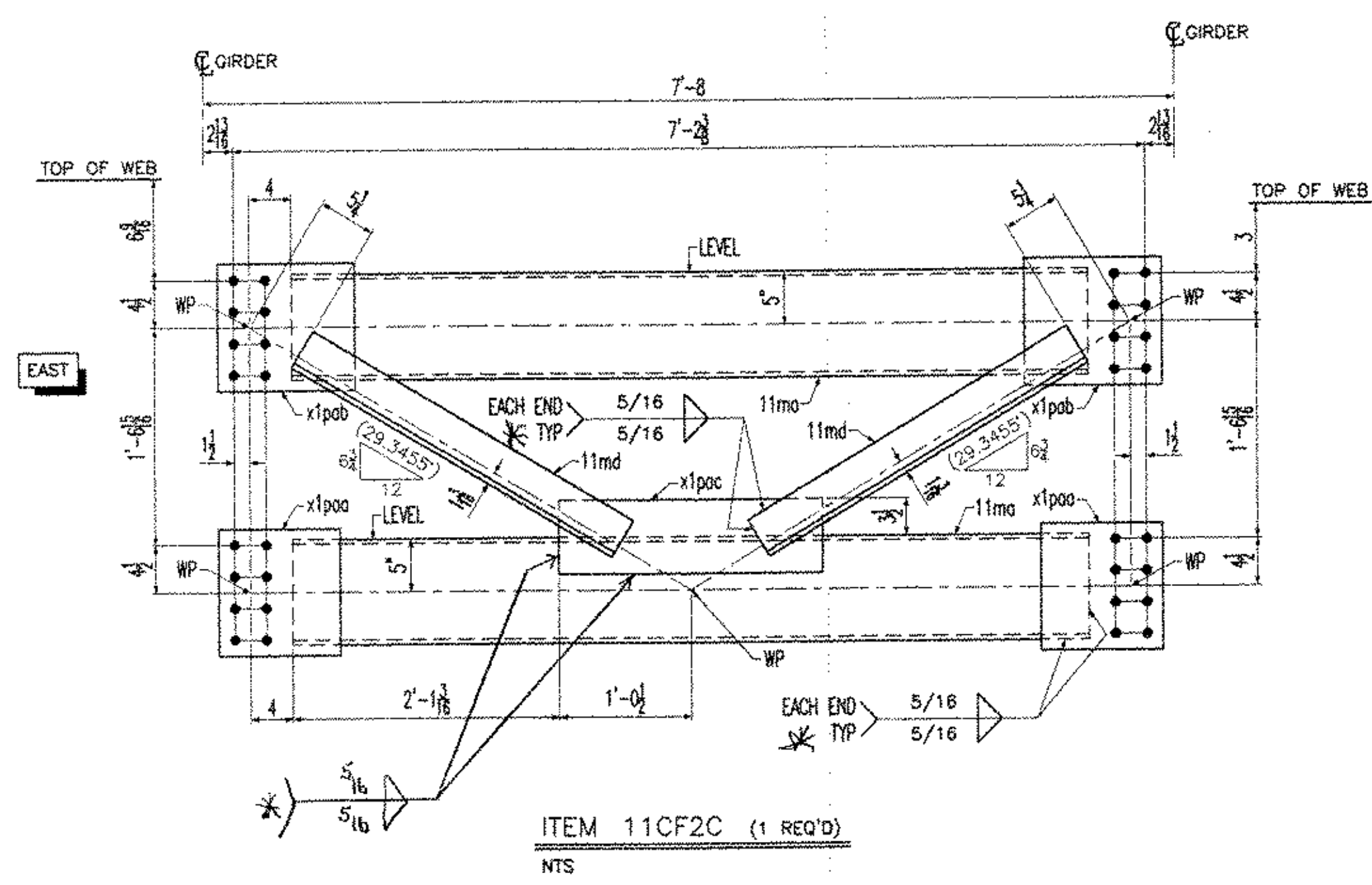
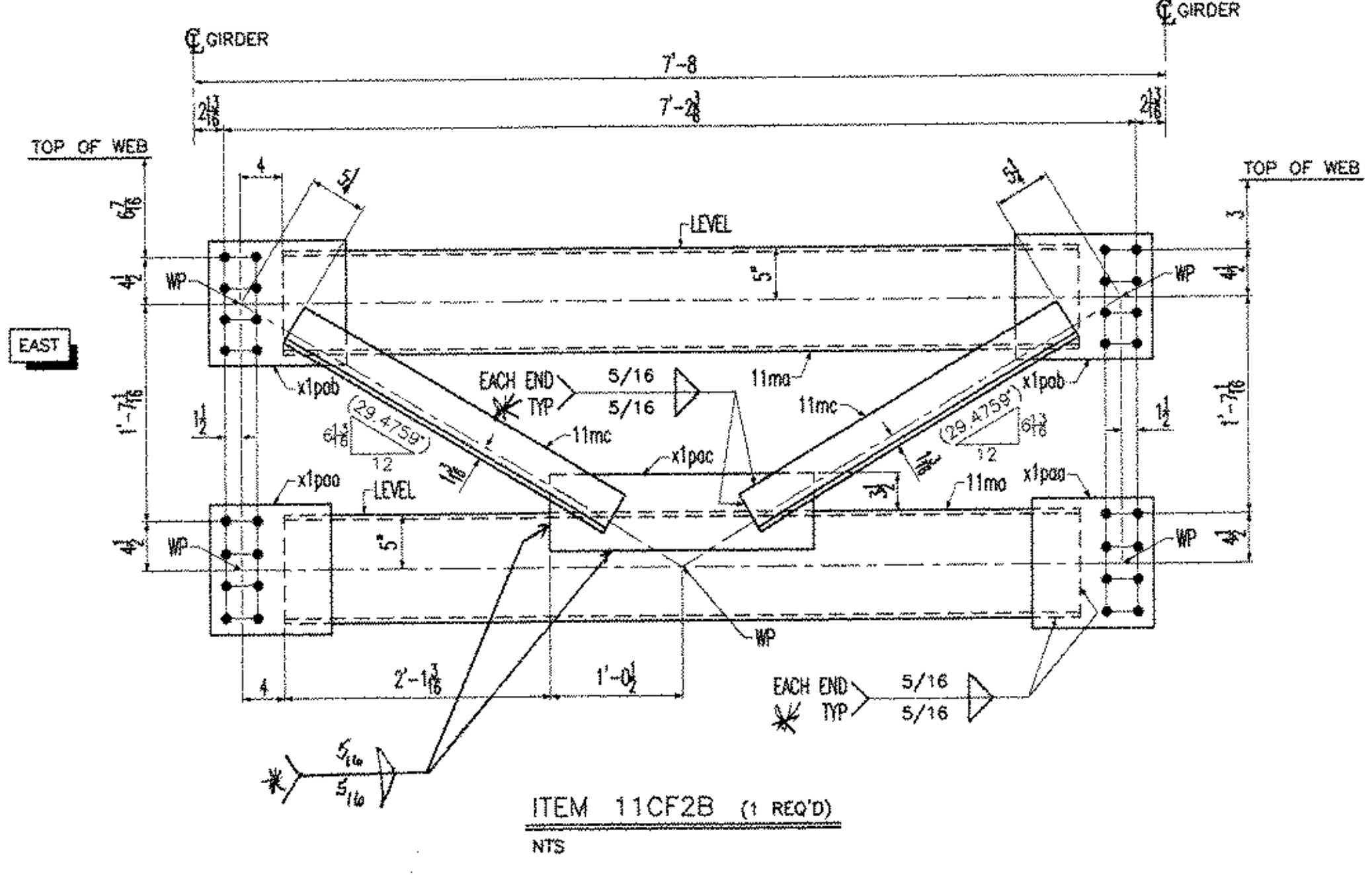
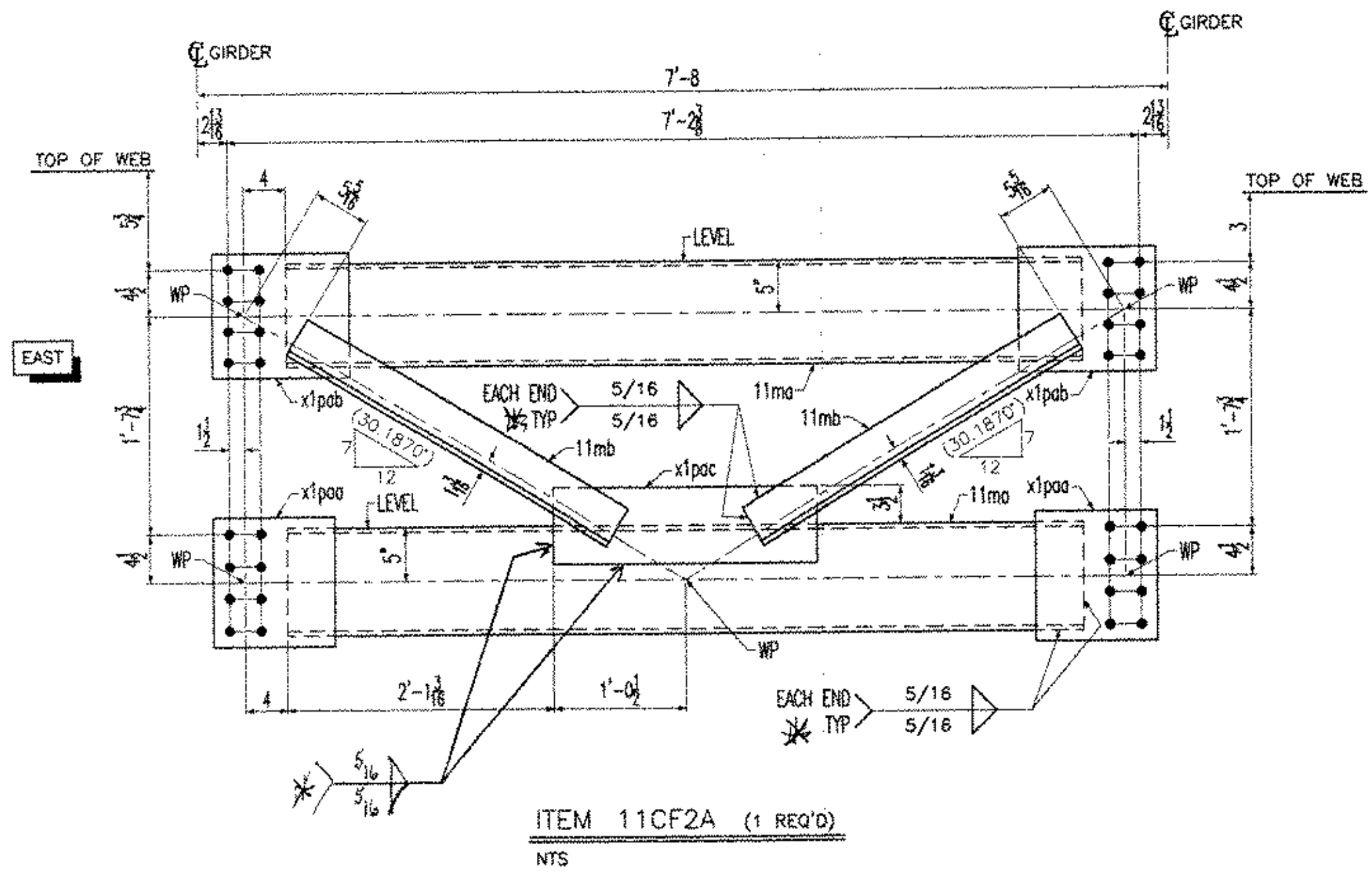


Drawing Number	Revision Number	Ship Mark	Place Mark	Qty	Type of Material	Size of Material	Grade	Length	Weight	Finish	Notes
11		11CF2A	11ma	2	C Channels	10x20	M270M-GR50W	6'-3 3/8	251	(CVN)	18
11		11CF2A	11mb	2	L Angles	4x4x1/2	M270M-GR50W	2'-10 15/16	73	(CVN)	15
11		11CF2A	x1paa	2	PL Plate	1/2x12	M270M-GR50W	0'-11 1/2	20	(CVN)	14
11		11CF2A	x1pab	2	PL Plate	1/2x12	M270M-GR50W	1'-1	22	(CVN)	14
11		11CF2A	x1pac	1	PL Plate	1/2x7	M270M-GR50W	2'-1	25	(CVN)	13
11		11CF2B	11ma	2	C Channels	10x20	M270M-GR50W	6'-3 3/8	251	(CVN)	18
11		11CF2B	11mc	2	L Angles	4x4x1/2	M270M-GR50W	2'-10 5/8	73	(CVN)	15
11		11CF2B	x1paa	2	PL Plate	1/2x12	M270M-GR50W	0'-11 1/2	20	(CVN)	14
11		11CF2B	x1pab	2	PL Plate	1/2x12	M270M-GR50W	1'-1	22	(CVN)	14
11		11CF2B	x1pac	1	PL Plate	1/2x7	M270M-GR50W	2'-1	25	(CVN)	13
11		11CF2C	11ma	2	C Channels	10x20	M270M-GR50W	6'-3 3/8	251	(CVN)	18
11		11CF2C	11md	2	L Angles	4x4x1/2	M270M-GR50W	2'-10 9/16	73	(CVN)	15
11		11CF2C	x1paa	2	PL Plate	1/2x12	M270M-GR50W	0'-11 1/2	20	(CVN)	14
11		11CF2C	x1pab	2	PL Plate	1/2x12	M270M-GR50W	1'-1	22	(CVN)	14
11		11CF2C	x1pac	1	PL Plate	1/2x7	M270M-GR50W	2'-1	25	(CVN)	13
11		11CF2D	11ma	2	C Channels	10x20	M270M-GR50W	6'-3 3/8	251	(CVN)	18
11		11CF2D	11mf	2	L Angles	4x4x1/2	M270M-GR50W	2'-11 1/8	73	(CVN)	15
11		11CF2D	x1paa	2	PL Plate	1/2x12	M270M-GR50W	0'-11 1/2	20	(CVN)	14
11		11CF2D	x1pab	2	PL Plate	1/2x12	M270M-GR50W	1'-1	22	(CVN)	14
11		11CF2D	x1pac	1	PL Plate	1/2x7	M270M-GR50W	2'-1	25	(CVN)	13

TOTAL WEIGHT	1564
- CUTS	
+ FIELD BOLTS	REFER TO 'E' DWG
+ WELD	24
NET TOTAL	1588



* ALL CROSSFRAME FILLET WELDS:
WD5 10-1 OR 00-03

NOTES:
1- GENERAL NOTES: SEE DRAWING GN1
2- HOLES: 15/16" (U.N.O.)

Reviewed
 Rejected
 Furnish as Contracted
 Revise and Resubmit
 Submit Specimen
 This drawing is for general information only. It is not to be used for construction without the approval of the Designer. The Designer shall be responsible for the design and construction of the structure. The Contractor shall be responsible for the construction of the structure. The Designer shall not be responsible for the construction of the structure. The Contractor shall be responsible for the construction of the structure. The Designer shall not be responsible for the construction of the structure. The Contractor shall be responsible for the construction of the structure.

Date: *RSW* 12-17-03
 By: *RSW*
 RESERVED FOR STAMPS

DRAWINGS PREPARED BY:
AMEC E&C SERVICES LTD, 4765 1ST AVENUE, SUITE 120, CHARLESBOURG (QUEBEC), CANADA G1H 2T3 #030731-EAS

REV	DATE	DESCRIPTION	QTY	DATE	ISSUED TO	FOR
1	11/17/03				FRANK W. WHITCOMB CONSTRUCTION CO.	APPROVAL

PROJECT: BRIDGE #12 VT 103-TH OVER WILLIAMS RIVER	
LOCATION: CHESTER, VERMONT	
ENGINEER: McFARLAND-JOHNSON, INC.	
CUSTOMER: EASTERN BRIDGE LLC	
DRAWING TITLE: INTERMEDIATE CROSS FRAMES	
DRAWN BY: D.B. 10/31/03	JOB NUMBER: 4065
CHECKED BY: L.D. 11/14/03	SHEET NUMBER: 11

NOTICE
 This drawing shall not be used or reproduced in any manner, nor shall any similar drawings or structures be made therefrom, nor shall the information thereon be used for any purpose other than that for which it is released without the written consent of an officer of EASTERN BRIDGE LLC.