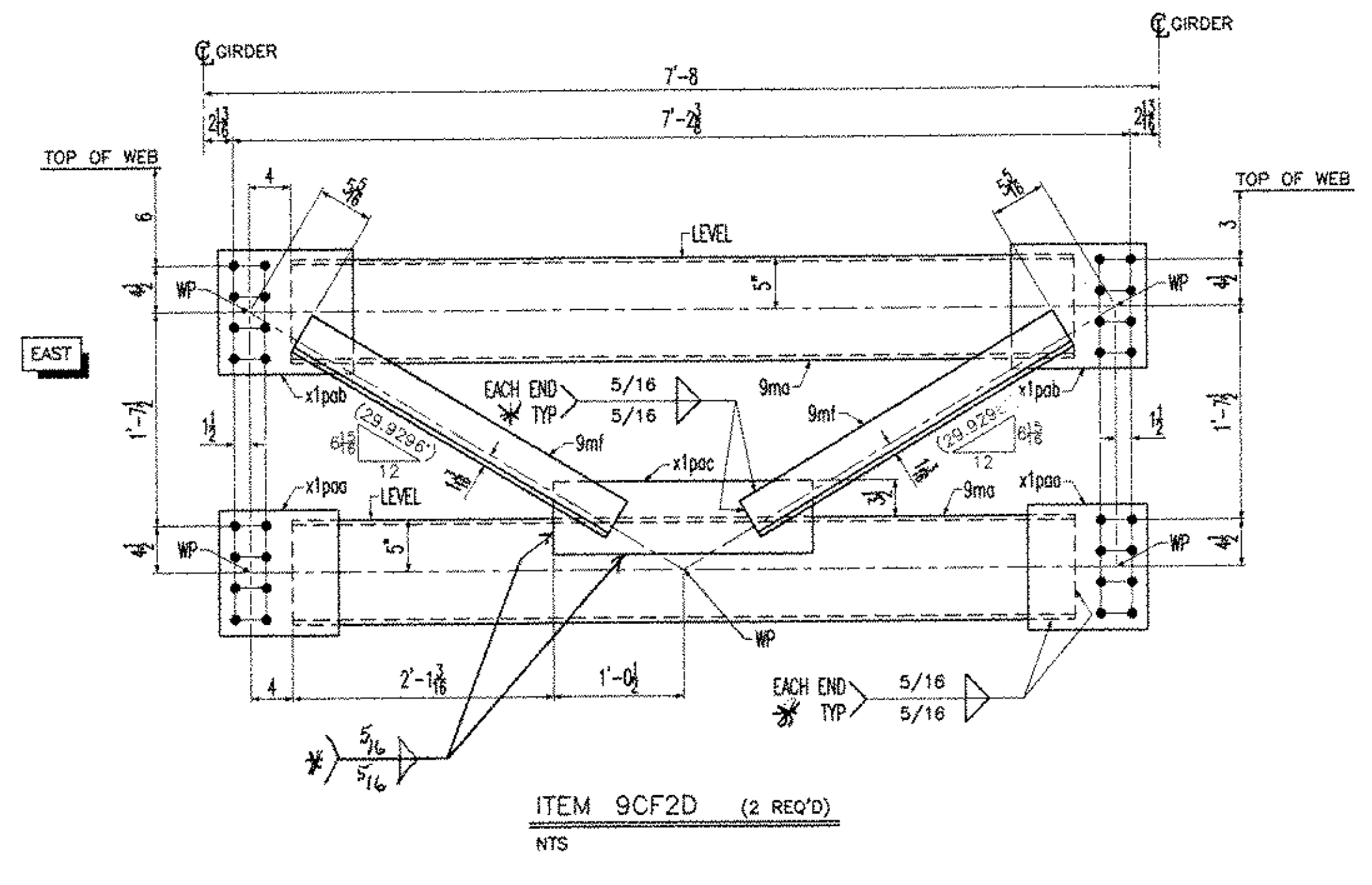
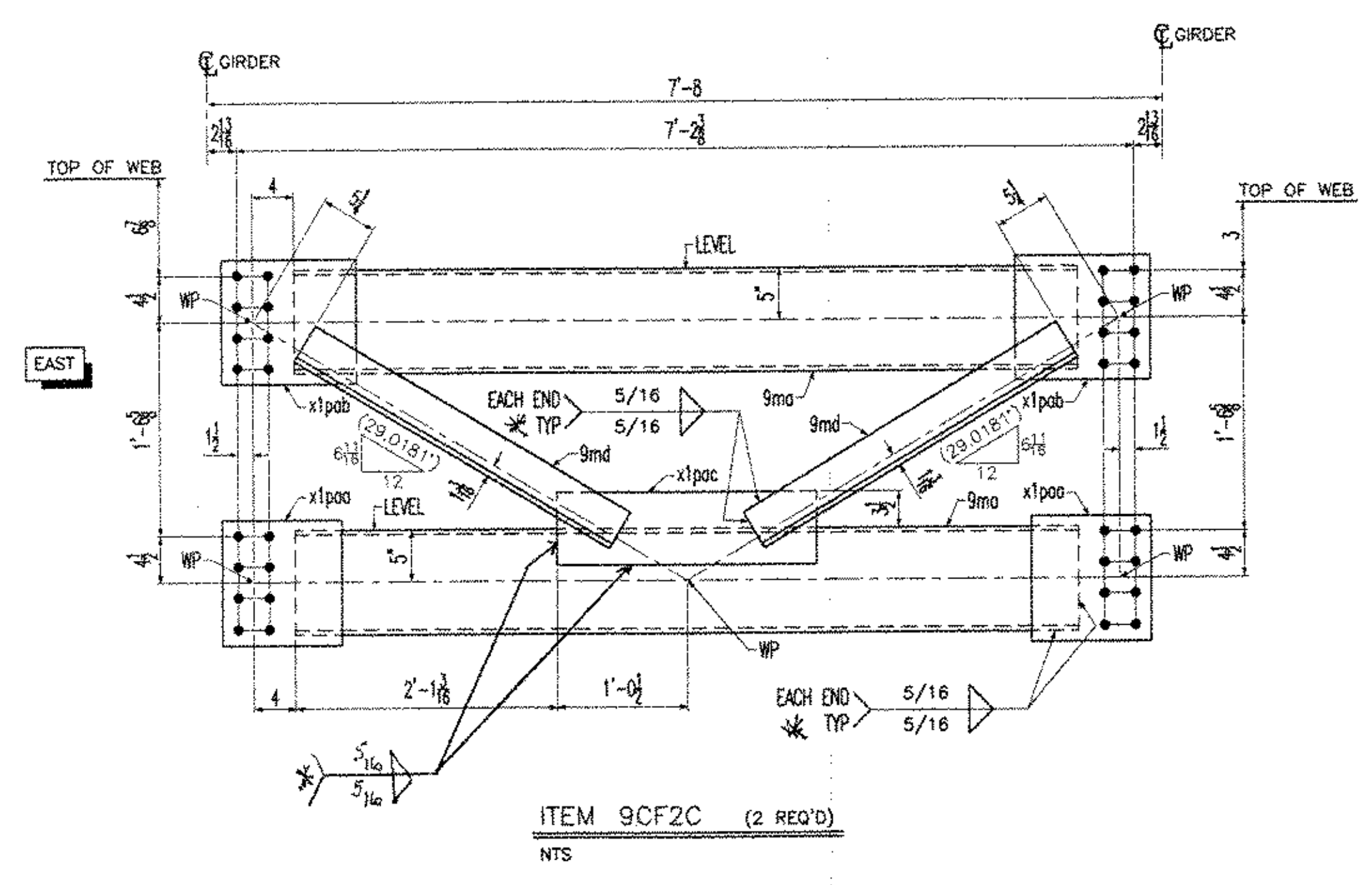
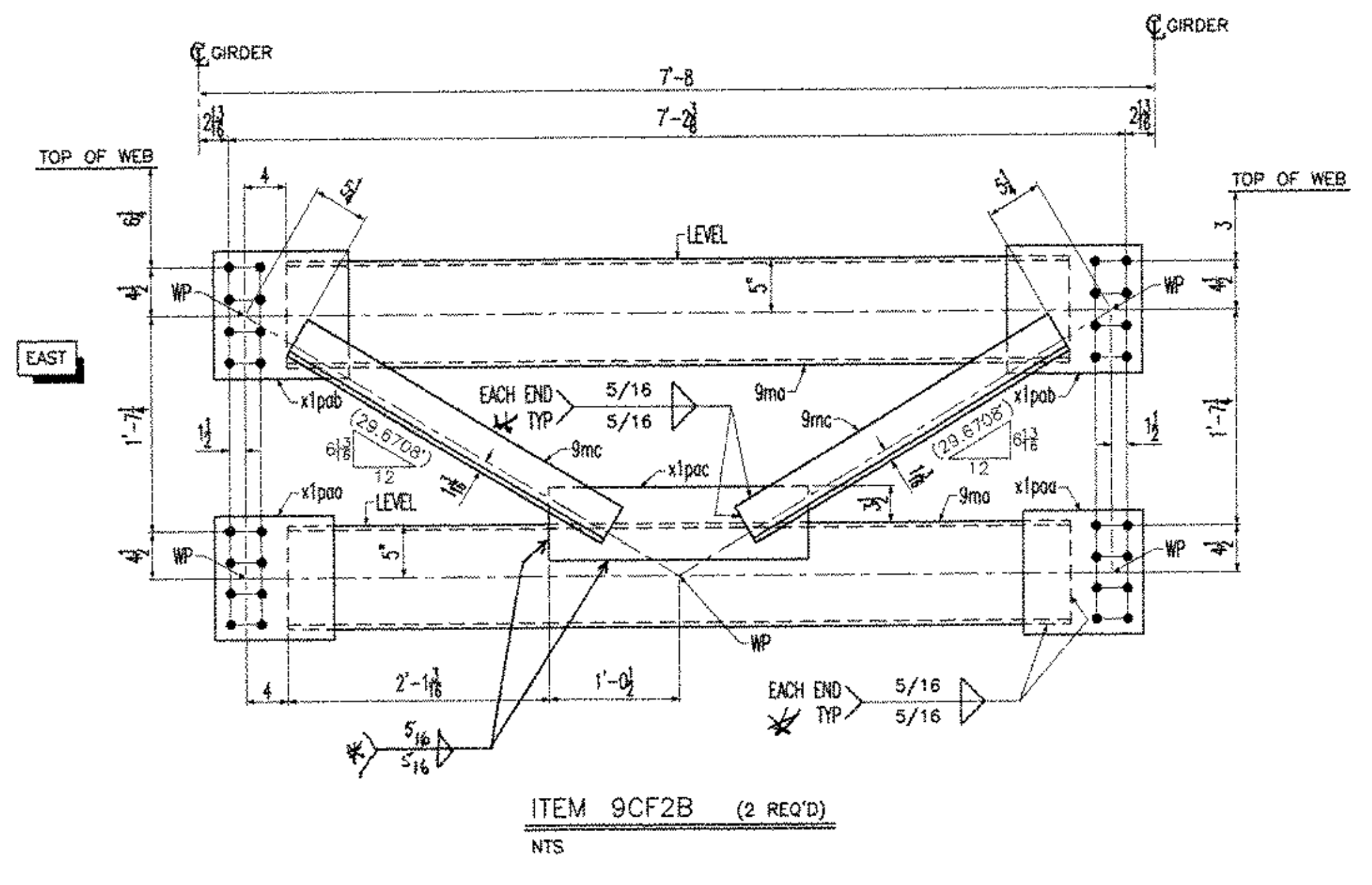
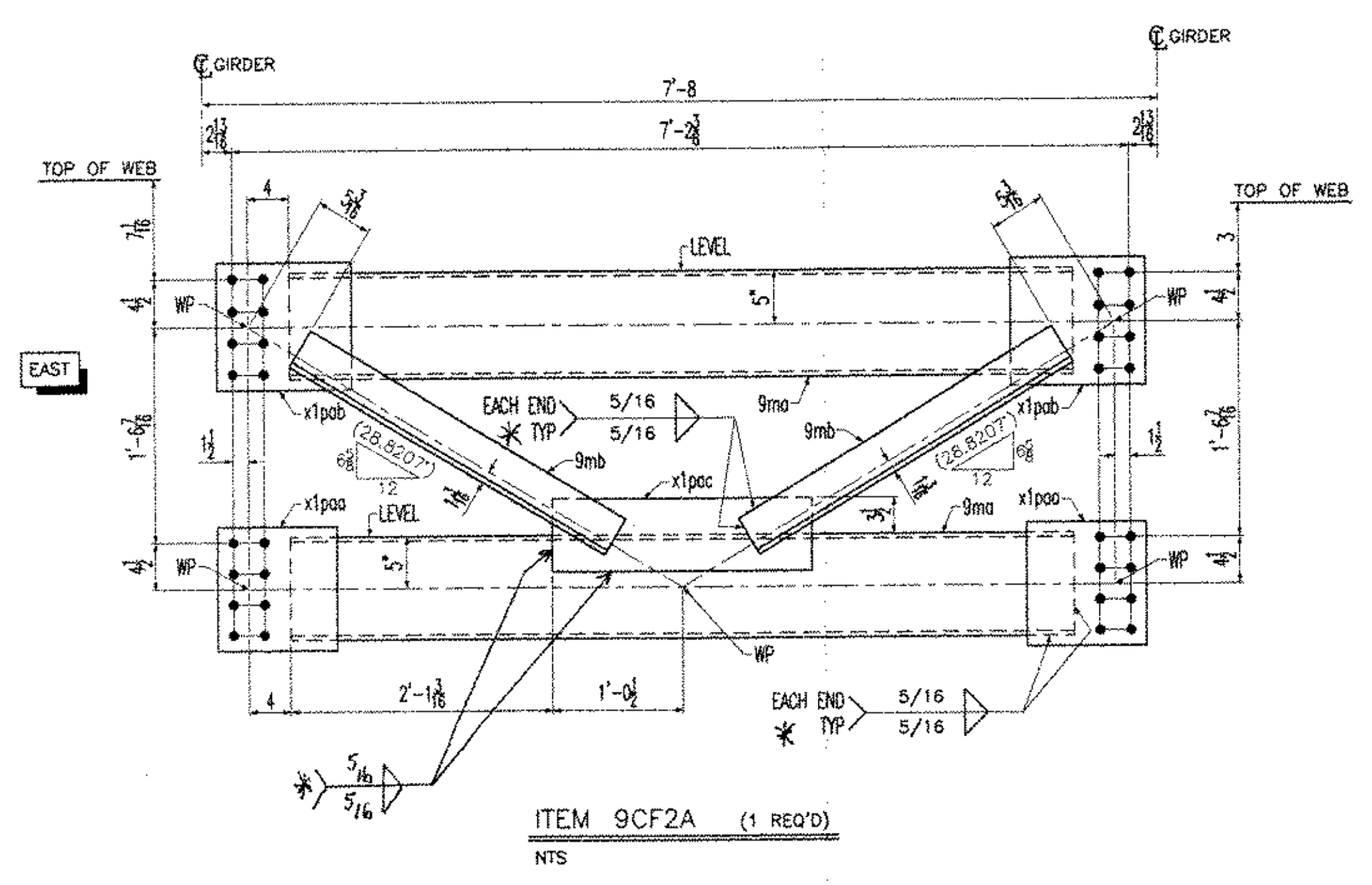


Drawing Number	Revision Number	Ship Mark	Piece Mark	Qty	Type of Material	Size of Material	Grade	Length	Weight	Finish	Notes
9		9CF2A	9ma	2	C Channels	10x20	M270M-GR50W	6'-3 3/8	251	(CVN)	18
9		9CF2A	9mb	2	L Angles	4x4x1/2	M270M-GR50W	2'-10 3/8	73	(CVN)	15
9		9CF2A	x1paa	2	PL Plate	1/2x12	M270M-GR50W	0'-11 1/2	20	(CVN)	14
9		9CF2A	x1pab	2	PL Plate	1/2x12	M270M-GR50W	1'-1	22	(CVN)	14
9		9CF2A	x1pac	1	PL Plate	1/2x7	M270M-GR50W	2'-1	25	(CVN)	13
9		9CF2B	9ma	4	C Channels	10x20	M270M-GR50W	6'-3 3/8	502	(CVN)	18
9		9CF2B	9mc	4	L Angles	4x4x1/2	M270M-GR50W	2'-10 11/8	147	(CVN)	15
9		9CF2B	x1paa	4	PL Plate	1/2x12	M270M-GR50W	0'-11 1/2	40	(CVN)	14
9		9CF2B	x1pab	4	PL Plate	1/2x12	M270M-GR50W	1'-1	44	(CVN)	14
9		9CF2B	x1pac	2	PL Plate	1/2x7	M270M-GR50W	2'-1	50	(CVN)	13
9		9CF2C	9ma	4	C Channels	10x20	M270M-GR50W	6'-3 3/8	502	(CVN)	18
9		9CF2C	9md	4	L Angles	4x4x1/2	M270M-GR50W	2'-10 7/16	146	(CVN)	15
9		9CF2C	x1paa	4	PL Plate	1/2x12	M270M-GR50W	0'-11 1/2	40	(CVN)	14
9		9CF2C	x1pab	4	PL Plate	1/2x12	M270M-GR50W	1'-1	44	(CVN)	14
9		9CF2C	x1pac	2	PL Plate	1/2x7	M270M-GR50W	2'-1	50	(CVN)	13
9		9CF2D	9ma	4	C Channels	10x20	M270M-GR50W	6'-3 3/8	502	(CVN)	18
9		9CF2D	9mf	4	L Angles	4x4x1/2	M270M-GR50W	2'-10 13/16	147	(CVN)	15
9		9CF2D	x1paa	4	PL Plate	1/2x12	M270M-GR50W	0'-11 1/2	40	(CVN)	14
9		9CF2D	x1pab	4	PL Plate	1/2x12	M270M-GR50W	1'-1	44	(CVN)	14
9		9CF2D	x1pac	2	PL Plate	1/2x7	M270M-GR50W	2'-1	50	(CVN)	13

TOTAL WEIGHT	2739
- CUTS	
+ FIELD BOLTS	REFER TO 'E' DWG
+ WELD	42
NET TOTAL	2781



*ALL CROSSFRAME FILLET WELDS:
WPS 10-1 OR 00-03

NOTES:
1- GENERAL NOTES: SEE DRAWING GN1
2- HOLES: 15/16" (U.N.C.)

- Reviewed
- Rejected
- Furnish as Corrected
- Revise and Resubmit
- Submit Specified Item

This review is only for general conformance with the contract documents. It does not constitute an approval of the design or construction. The contractor is responsible for the design and construction. The reviewer is not responsible for the design or construction. The reviewer is not responsible for the design or construction. The reviewer is not responsible for the design or construction.

McFarland-Johnson, Inc.
Date: 12-17-03
By: RSW
RESERVED FOR STAMPS

DRAWINGS PREPARED BY:
AMEC E&C SERVICES LTD, 4765 1ST AVENUE, SUITE 120, CHARLESBOURG (QUEBEC), CANADA G1H 2T3 #030731-EAS

REV	DATE	DESCRIPTION	QTY	DATE	ISSUED TO	FOR
1	11/17/03	FRANK W. WHITCOMB CONSTRUCTION CO.				APPROVAL

PROJECT: BRIDGE #12 VT 103-TH OVER WILLIAMS RIVER
LOCATION: CHESTER, VERMONT
ENGINEER: MCFARLAND-JOHNSON, INC.
CUSTOMER: EASTERN BRIDGE LLC
DRAWING TITLE: INTERMEDIATE CROSS FRAMES
DRAWN BY: D.B. 10/31/03 JOB
CHECKED BY: L.D. 11/14/03 NUMBER: 4065 SHEET NUMBER: 9

NOTICE
This drawing shall not be used or reproduced in any manner, nor shall any similar drawings or structures be made therefrom, nor shall the information thereon be used for any purpose other than that for which it is released without the written consent of an officer of EASTERN BRIDGE LLC.