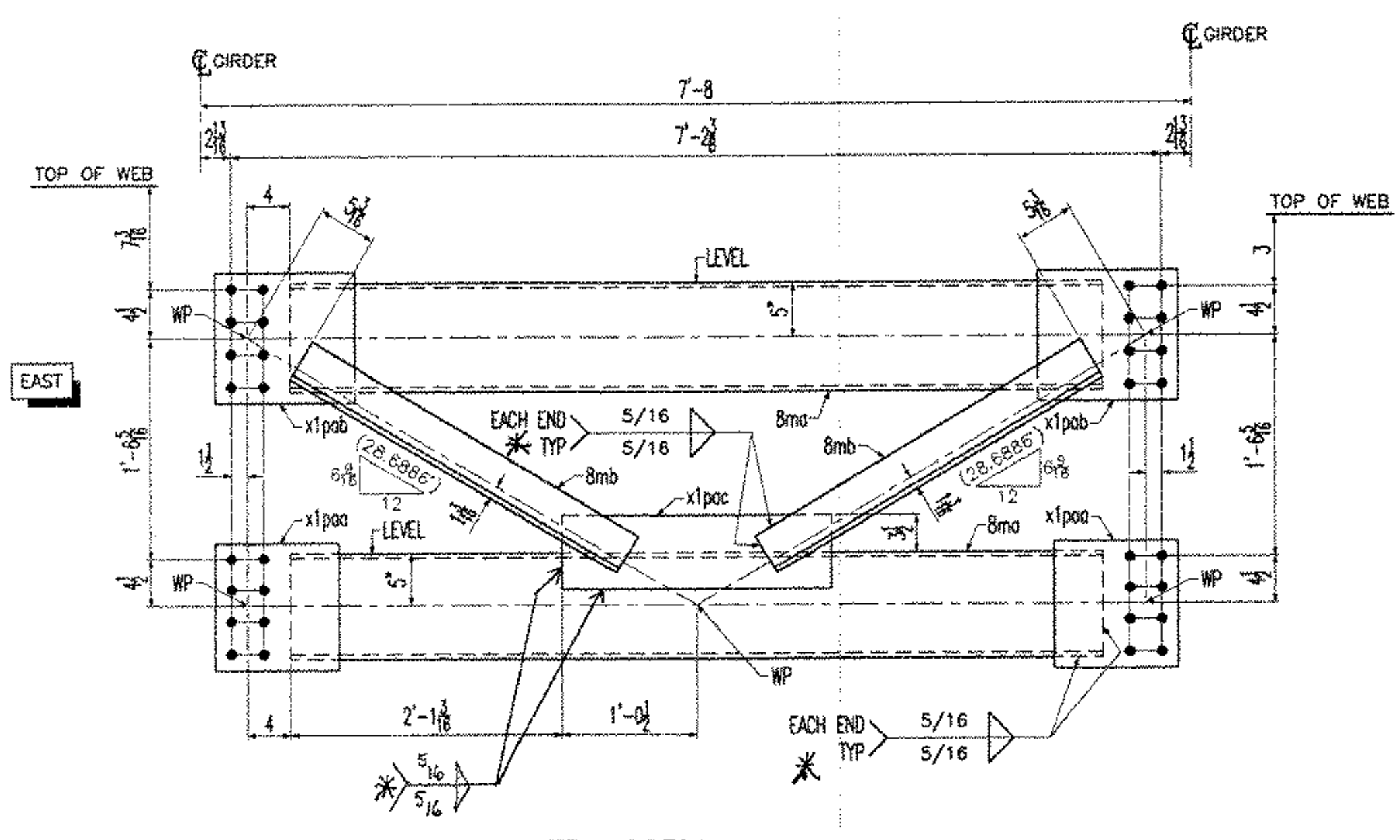
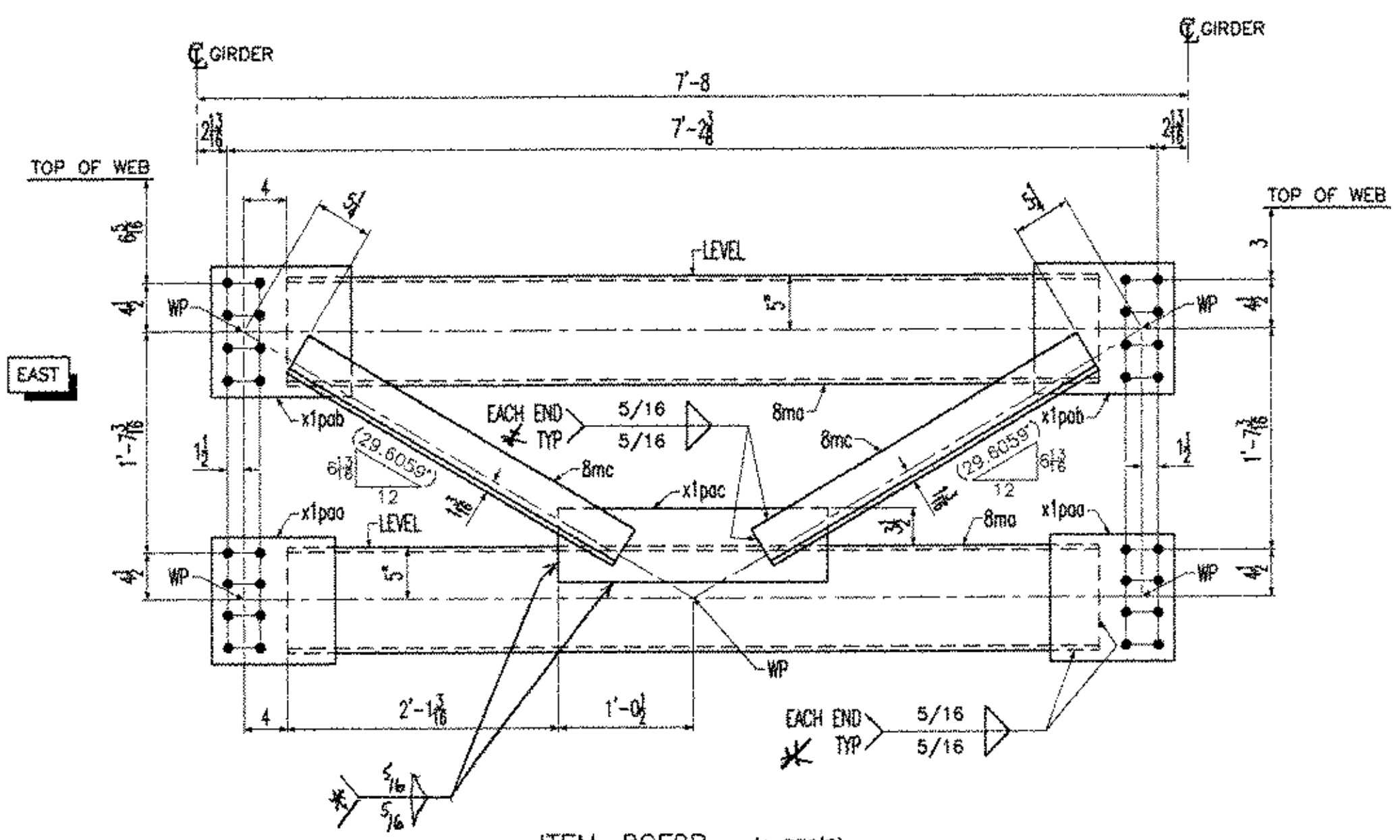


BILL OF MATERIAL													
Drawing Number	Revision Number	Ship Mark	Piece Mark	Qty	Type of Material	Size of Material	Grade	Length	Weight	Finish	Notes		
B		8CF2A	8ma	2	C Channels	10x20	M270M-GR50W	6'-3 3/8"	251	(CVN)	18		
B		8CF2A	8mb	2	L Angles	4x4x1/2	M270M-GR50W	2'-10 5/16"	73	(CVN)	15		
B		8CF2A	x1paa	2	PL Plate	1/2x12	M270M-GR50W	0'-11 1/2"	(20)	(CVN)	14		
B		8CF2A	x1pab	2	PL Plate	1/2x12	M270M-GR50W	1'-1"	(22)	(CVN)	14		
B		8CF2A	x1pac	1	PL Plate	1/2x7	M270M-GR50W	2'-1"	25	(CVN)	13		
B		8CF2B	8ma	2	C Channels	10x20	M270M-GR50W	6'-3 3/8"	251	(CVN)	18		
B		8CF2B	8mc	2	L Angles	4x4x1/2	M270M-GR50W	2'-10 11/16"	73	(CVN)	15		
B		8CF2B	x1paa	2	PL Plate	1/2x12	M270M-GR50W	0'-11 1/2"	(20)	(CVN)	14		
B		8CF2B	x1pab	2	PL Plate	1/2x12	M270M-GR50W	1'-1"	(22)	(CVN)	14		
B		8CF2B	x1pac	1	PL Plate	1/2x7	M270M-GR50W	2'-1"	25	(CVN)	13		
B		8CF2C	8ma	2	C Channels	10x20	M270M-GR50W	6'-3 3/8"	251	(CVN)	18		
B		8CF2C	8mb	2	L Angles	4x4x1/2	M270M-GR50W	2'-10 5/16"	73	(CVN)	15		
B		8CF2C	x1paa	2	PL Plate	1/2x12	M270M-GR50W	0'-11 1/2"	(20)	(CVN)	14		
B		8CF2C	x1pab	2	PL Plate	1/2x12	M270M-GR50W	1'-1"	(22)	(CVN)	14		
B		8CF2C	x1pac	1	PL Plate	1/2x7	M270M-GR50W	2'-1"	25	(CVN)	13		
B		8CF2D	8ma	6	C Channels	10x20	M270M-GR50W	6'-3 3/8"	753	(CVN)	18		
B		8CF2D	8md	6	L Angles	4x4x1/2	M270M-GR50W	2'-10 3/8"	219	(CVN)	15		
B		8CF2D	x1paa	6	PL Plate	1/2x12	M270M-GR50W	0'-11 1/2"	(60)	(CVN)	14		
B		8CF2D	x1pab	6	PL Plate	1/2x12	M270M-GR50W	1'-1"	(66)	(CVN)	14		
B		8CF2D	x1pac	1	PL Plate	1/2x7	M270M-GR50W	2'-1"	25	(CVN)	13		

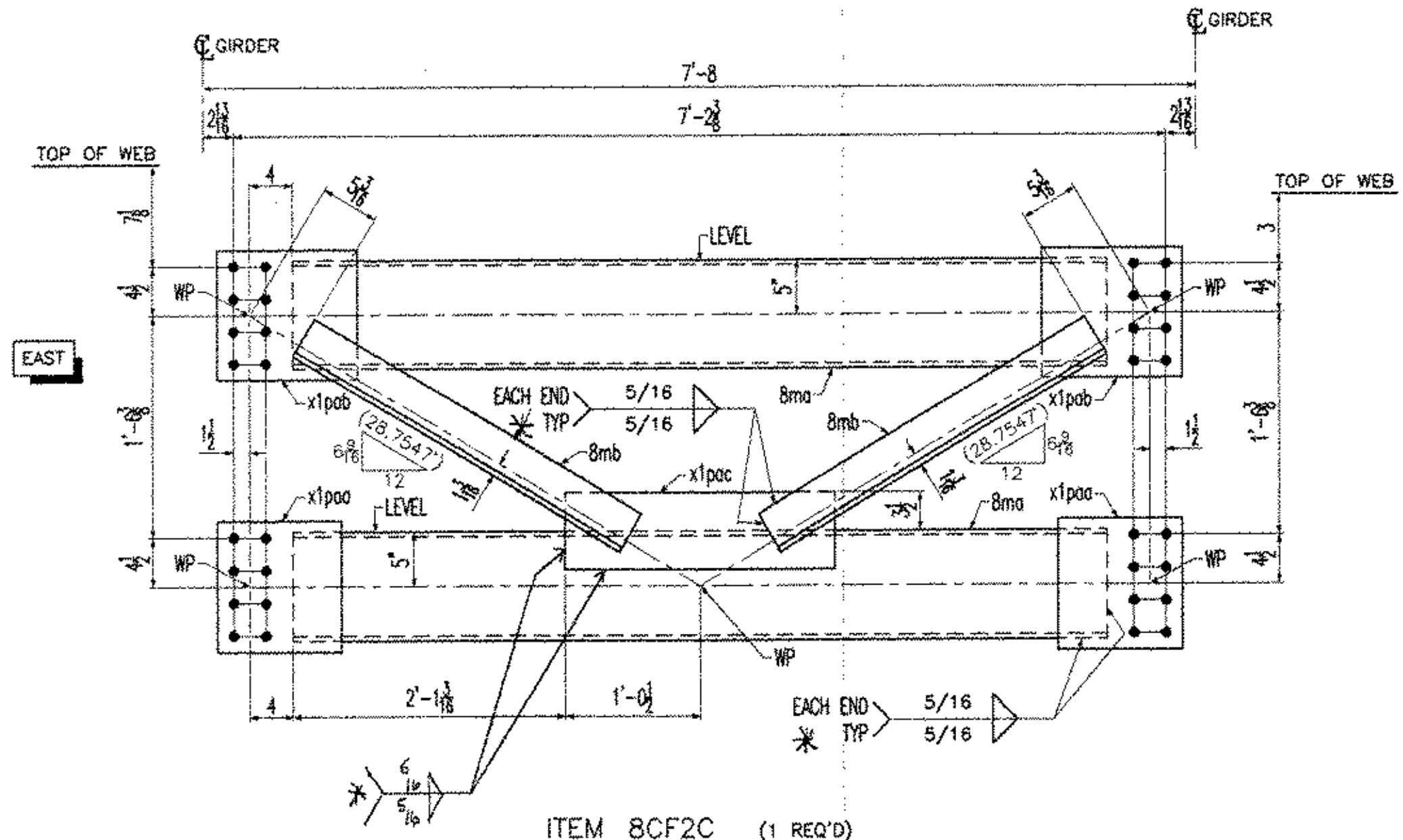
TOTAL WEIGHT	2346
-CUTS	
+FIELD BOLTS	REFER TO 'E' DWG
+WELD	36
NET TOTAL	2382



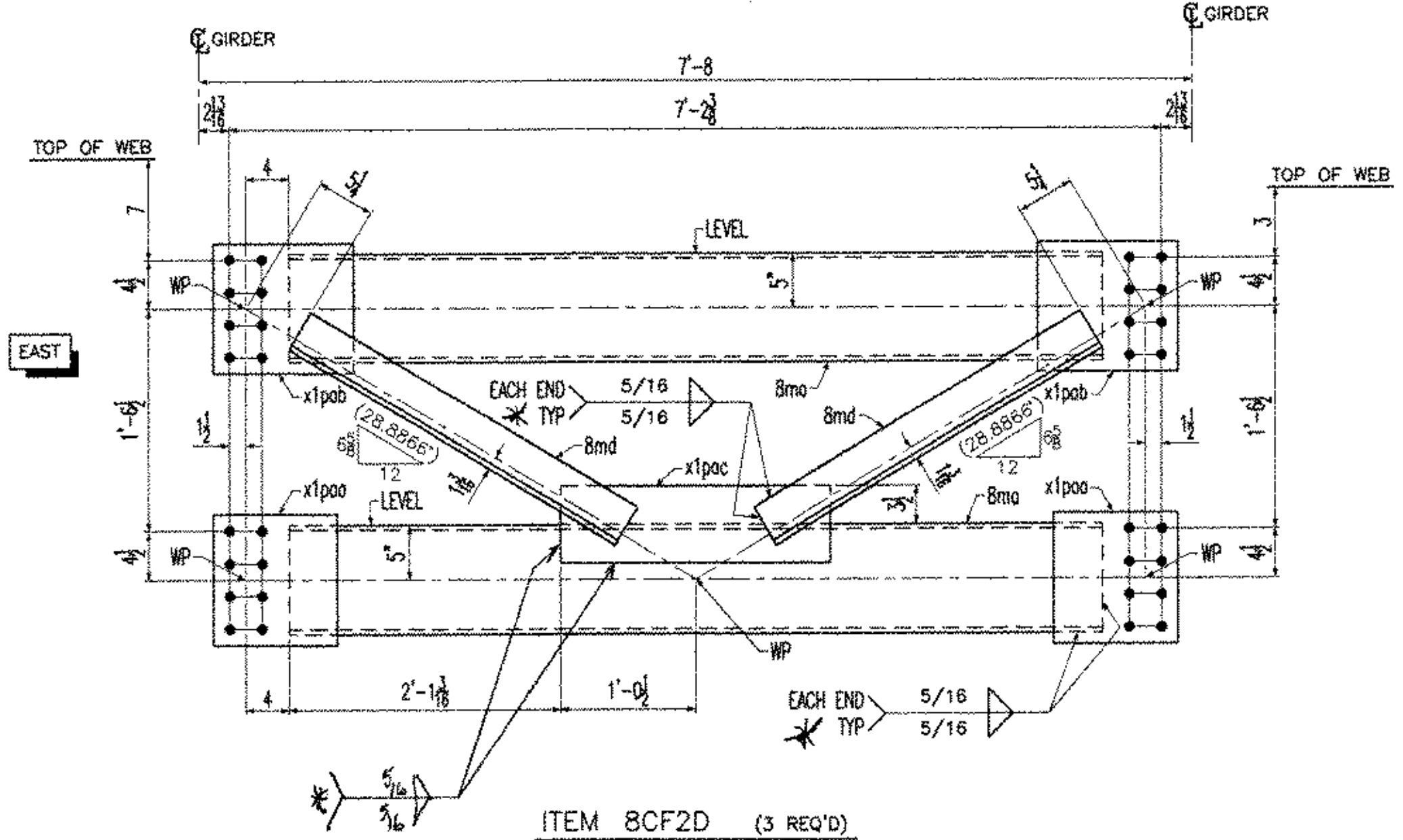
ITEM 8CF2A (1 REQ'D)
NTS



ITEM 8CF2B (1 REQ'D)
NTS



ITEM 8CF2C (1 REQ'D)
NTS



ITEM 8CF2D (3 REQ'D)
NTS

* ALL CROSSFRAME INLET WELDS:
WRS 10-1 & 20-03

NOTES:
1- GENERAL NOTES: SEE DRAWING GN1
2- HOLES : 15/16" (U.N.O.)

<input checked="" type="checkbox"/> Reviewed	<input type="checkbox"/> Furnish as Connected
<input type="checkbox"/> Rejected	<input type="checkbox"/> Revise and Reconnect
	<input type="checkbox"/> Submit Change Order

The undersigned hereby certifies that the drawings and specifications herein are true and correct as shown on the sheets attached hereto and that the undersigned is duly qualified to issue such drawings and specifications and that the undersigned is not aware of any facts or circumstances which would make the drawings and specifications herein misleading or deceptive.

McFarland-Johnson, Inc.
Date: 12-17-03
By: RSW
RESERVED FOR STAMPS

DRAWINGS PREPARED BY:
AMEC E&C SERVICES LTD, 4765 1ST AVENUE, SUITE 120, CHARLESBOURG (QUEBEC), CANADA G1H 2T3 #030731-EAS

REV	DATE	DESCRIPTION	QTY	DATE	ISSUED TO	APPROVAL	FOR

PROJECT: BRIDGE #12 VT 103-TH OVER WILLIAMS RIVER	
LOCATION: CHESTER, VERMONT	
ENGINEER: McFARLAND-JOHNSON, INC.	
CUSTOMER: EASTERN BRIDGE LLC	
DRAWING TITLE: INTERMEDIATE CROSS FRAMES	
DRAWN BY: D.B. 10/31/03	JOB NUMBER: 4065
CHECKED BY: L.D. 11/14/03	SHEET NUMBER: 8

NOTICE
This drawing shall not be used or reproduced in any manner, nor shall any similar drawings or structures be made therefrom, nor shall the information thereon be used for any purpose other than that for which it is released without the written consent of an officer of EASTERN BRIDGE LLC.

EASTERN BRIDGE LLC
RURAL RTE 2, BOX 302
CLAREMONT, NH 03743
603-542-5202