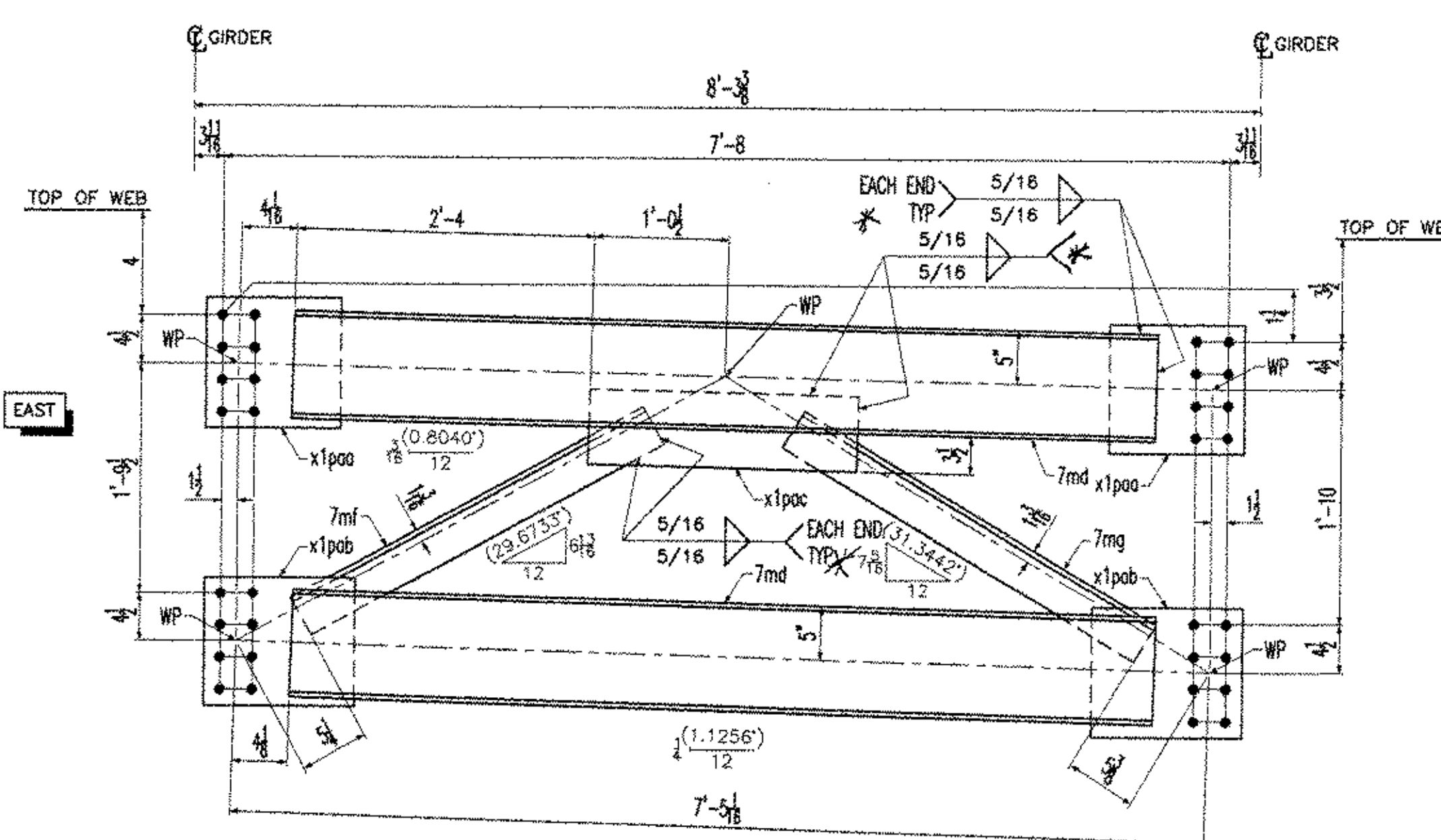
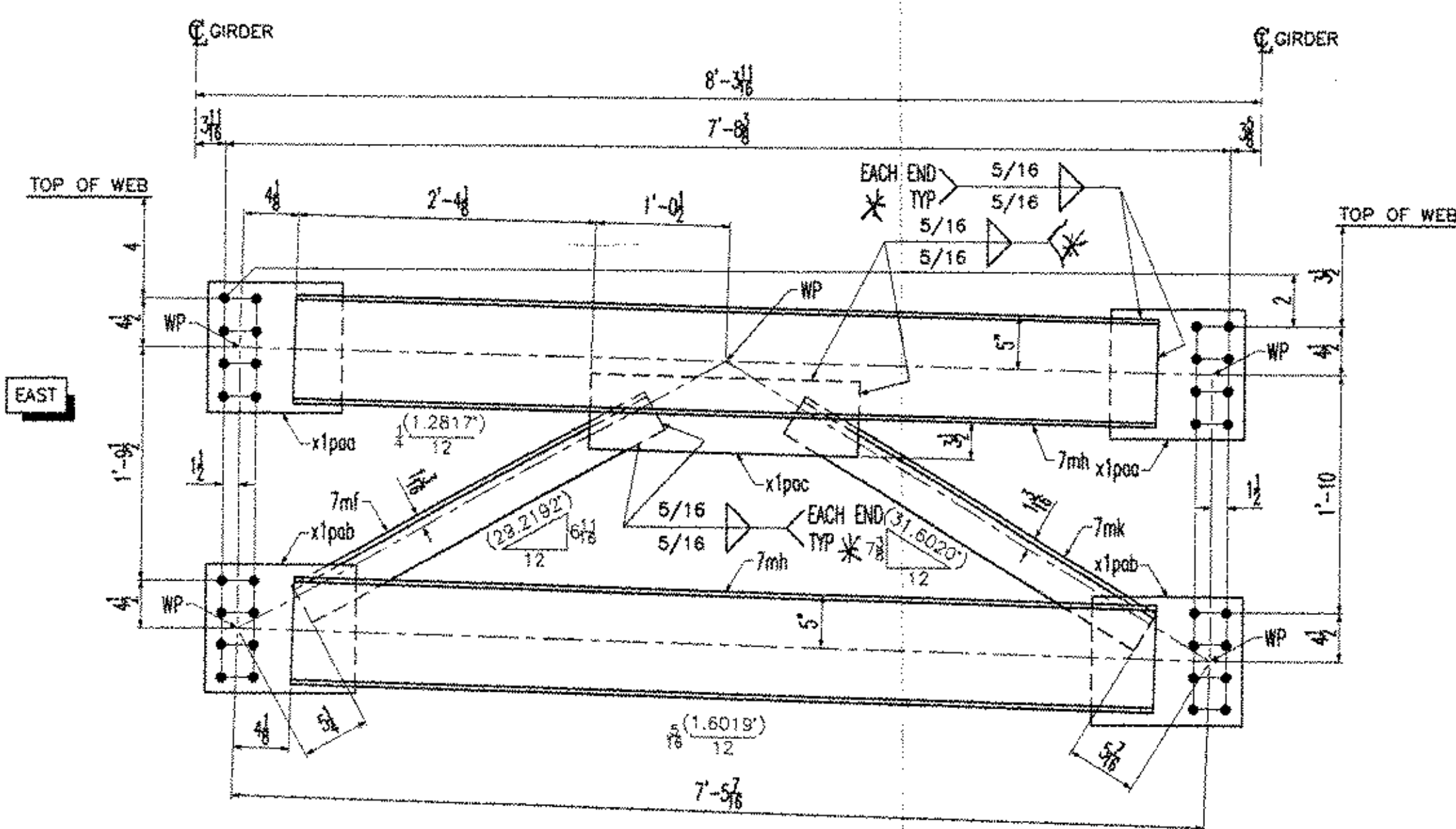


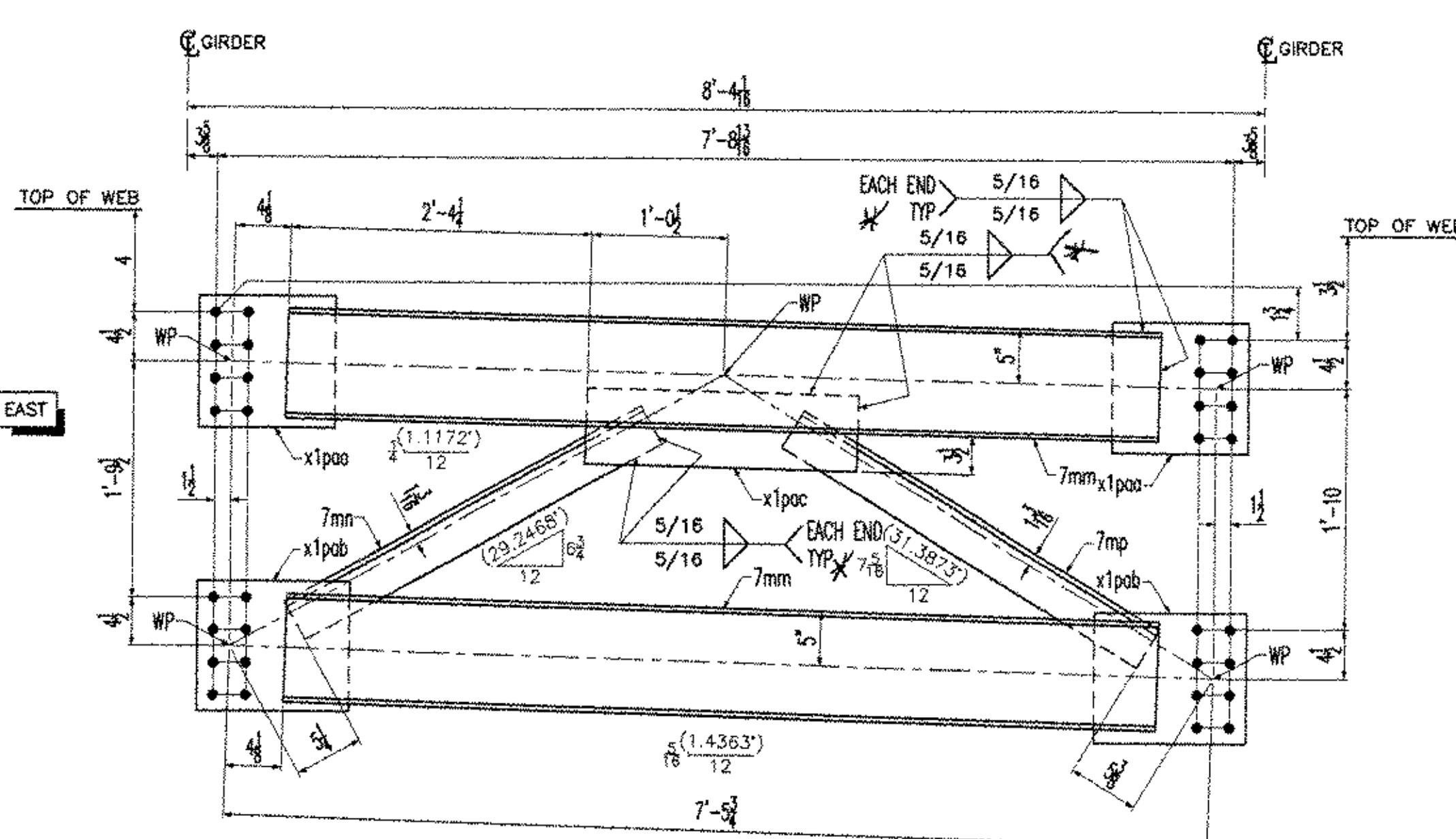
ITEM 7CF1A (1 REQ'D)
NTS



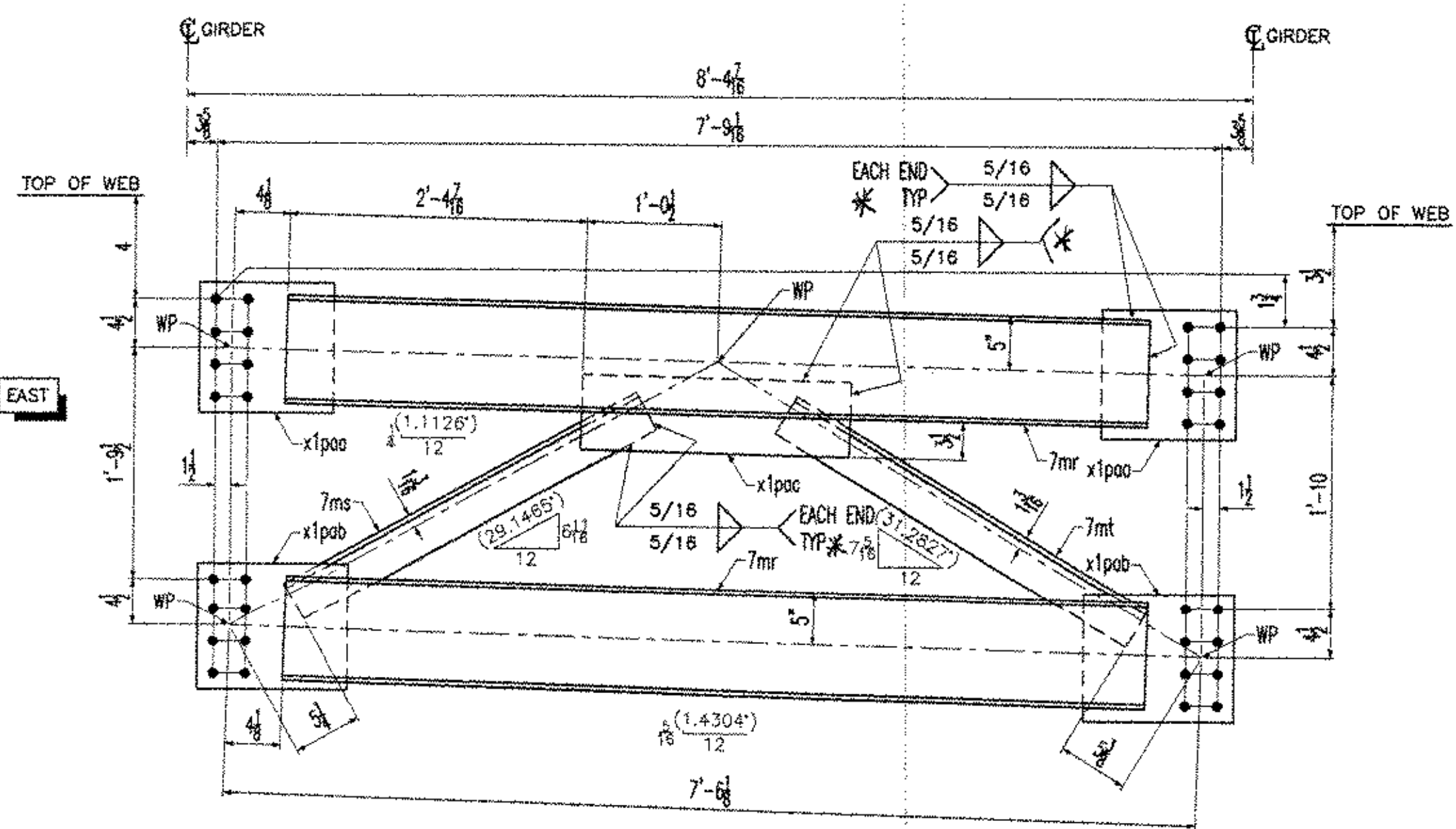
ITEM 7CF1B (1 REQ'D)
NTS



ITEM 7CF1C (1 REQ'D)
NTS



ITEM 7CF1D (1 REQ'D)
NTS



ITEM 7CF1E (1 REQ'D)
NTS

* ALL CROSS FRAME FILLET WELDS:
WPS 10-1 OR 00-03

BILL OF MATERIAL											
Drawing Number	Revision Number	Ship Mark	Place Mark	Qty	Type of Material	Size of Material	Grade	Length	Weight	Finish	Notes
7		7CF1A	7ma	2	C Channels	10x20	M270M-GR50W	6'-7 9/16	266	(CVN)	19
7		7CF1A	7mb	1	L Angles	4x4x1/2	M270M-GR50W	3'-1 1/4	39	(CVN)	16
7		7CF1A	7mc	1	L Angles	4x4x1/2	M270M-GR50W	3'-2 5/16	41	(CVN)	16
7		7CF1A	x1paa	2	PL Plate	1/2x12	M270M-GR50W	0'-11 1/2	(20)	(CVN)	14
7		7CF1A	x1pab	2	PL Plate	1/2x12	M270M-GR50W	1'-1	(22)	(CVN)	14
7		7CF1A	x1pac	1	PL Plate	1/2x7	M270M-GR50W	2'-1	25	(CVN)	13
7		7CF1B	7md	2	C Channels	10x20	M270M-GR50W	6'-8 15/16	270	(CVN)	19
7		7CF1B	7mf	1	L Angles	4x4x1/2	M270M-GR50W	3'-2	40	(CVN)	16
7		7CF1B	7mg	1	L Angles	4x4x1/2	M270M-GR50W	3'-2 3/4	41	(CVN)	16
7		7CF1B	x1paa	2	PL Plate	1/2x12	M270M-GR50W	0'-11 1/2	(20)	(CVN)	14
7		7CF1B	x1pab	2	PL Plate	1/2x12	M270M-GR50W	1'-1	(22)	(CVN)	14
7		7CF1B	x1pac	1	PL Plate	1/2x7	M270M-GR50W	2'-1	25	(CVN)	13
7		7CF1C	7mh	2	C Channels	10x20	M270M-GR50W	6'-9 3/16	271	(CVN)	19
7		7CF1C	7mi	1	L Angles	4x4x1/2	M270M-GR50W	3'-2	40	(CVN)	16
7		7CF1C	7mj	1	L Angles	4x4x1/2	M270M-GR50W	3'-2 3/4	41	(CVN)	16
7		7CF1C	x1paa	2	PL Plate	1/2x12	M270M-GR50W	0'-11 1/2	(20)	(CVN)	14
7		7CF1C	x1pab	2	PL Plate	1/2x12	M270M-GR50W	1'-1	(22)	(CVN)	14
7		7CF1C	x1pac	1	PL Plate	1/2x7	M270M-GR50W	2'-1	25	(CVN)	13
7		7CF1D	7mn	2	C Channels	10x20	M270M-GR50W	6'-9 9/16	272	(CVN)	19
7		7CF1D	7mo	1	L Angles	4x4x1/2	M270M-GR50W	3'-2 3/8	40	(CVN)	16
7		7CF1D	7mp	1	L Angles	4x4x1/2	M270M-GR50W	3'-3 1/8	41	(CVN)	16
7		7CF1D	x1paa	2	PL Plate	1/2x12	M270M-GR50W	0'-11 1/2	(20)	(CVN)	14
7		7CF1D	x1pab	2	PL Plate	1/2x12	M270M-GR50W	1'-1	(22)	(CVN)	14
7		7CF1D	x1pac	1	PL Plate	1/2x7	M270M-GR50W	2'-1	25	(CVN)	13
7		7CF1E	7mr	2	C Channels	10x20	M270M-GR50W	6'-9 15/16	273	(CVN)	19
7		7CF1E	7ms	1	L Angles	4x4x1/2	M270M-GR50W	3'-2 3/8	41	(CVN)	16
7		7CF1E	7mt	1	L Angles	4x4x1/2	M270M-GR50W	3'-3 5/16	42	(CVN)	16
7		7CF1E	x1paa	2	PL Plate	1/2x12	M270M-GR50W	0'-11 1/2	(20)	(CVN)	14
7		7CF1E	x1pab	2	PL Plate	1/2x12	M270M-GR50W	1'-1	(22)	(CVN)	14
7		7CF1E	x1pac	1	PL Plate	1/2x7	M270M-GR50W	2'-1	25	(CVN)	13

TOTAL WEIGHT	2093
- CUTS	
+ FIELD BOLTS	REFER TO 'E' DWG
+ WELD	30
NET TOTAL	2123

C.D.D.
(2012) 5-200
2003
2.0.03

NOTES:
1- GENERAL NOTES: SEE DRAWING G01
2- HOLES : 15/16" (U.N.O.)

Reviewed
 Rejected
 Furnish as Corrected
 Revise and Resubmit
 Submit Specification

This review is only for general compliance with the design criteria, and the information shown on this construction document. Corrections or changes made to the design drawings during the review do not relieve the contractor from compliance with the mechanical or electrical specifications. Review of a construction document is not a warranty of any kind and does not constitute an endorsement. The contractor is responsible for dimensions to his contract and correlated to the project information. The contractor is responsible for the accuracy of the information and for the proper interpretation of the drawings and specifications. The contractor is responsible for the proper interpretation of the drawings and specifications. The contractor is responsible for the proper interpretation of the drawings and specifications.

McFarland-Johnson, Inc.
 Date: 12-17-03
 By: RSW
 RESERVED FOR STAMPS

DRAWINGS PREPARED BY:
AMEC E&C SERVICES LTD, 4765 1ST AVENUE, SUITE 120, CHARLESBOURG (QUEBEC), CANADA G1H 2T3 #030731-EAS

REV	DATE	DESCRIPTION	QTY	DATE	ISSUED TO	APPROVAL	FOR
	11/17/03	FRANK W. WHITCOMB CONSTRUCTION CO.					

PROJECT: BRIDGE #12 VT 103-TH OVER WILLIAMS RIVER
 LOCATION: CHESTER, VERMONT
 ENGINEER: MCFARLAND-JOHNSON, INC.
 CUSTOMER: EASTERN BRIDGE LLC
 DRAWING TITLE: ABUTMENT CROSS FRAMES
 DRAWN BY: D.B. 10/31/03 JOB
 CHECKED BY: L.D. 11/14/03 NUMBER: 4065 SHEET NUMBER: 7

NOTICE
 This drawing shall not be used or reproduced in any manner, nor shall any similar drawings or structures be made therefrom, nor shall the information thereon be used for any purpose other than that for which it is released without the written consent of an office of EASTERN BRIDGE LLC.

EASTERN BRIDGE LLC
 RURAL RTE 2, BOX 302
 CLAREMONT, NH 03743
 603-542-5202

09805