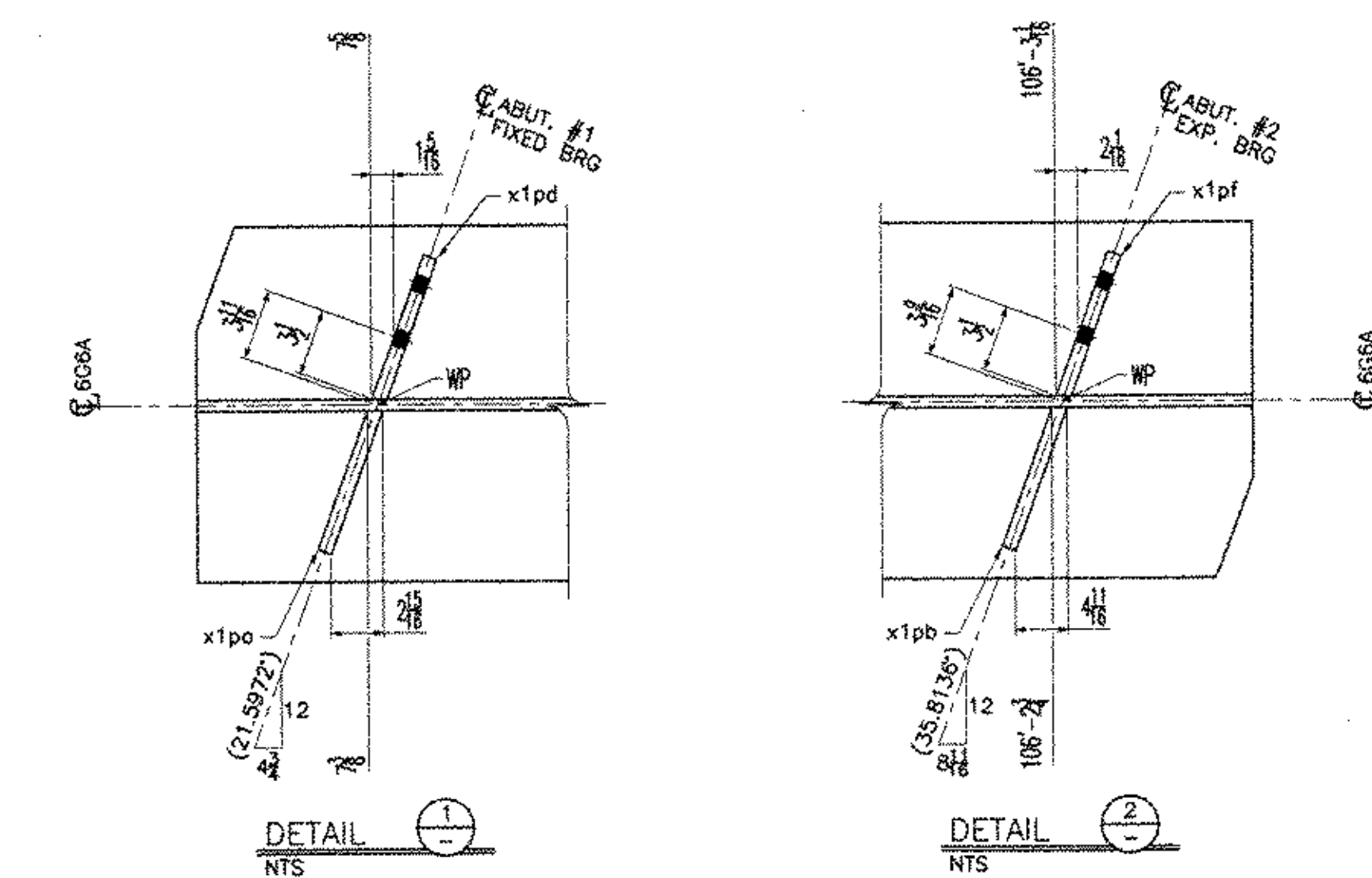


Drawing Number	Revision Number	Ship Mark	Piece Mark	Qty	Type of Material	Size of Material	Grade	Length	Weight	Finish	Notes
6		6G6A	wc6a	1	PL Plate	5/8x42	M270-GR50W	33'-10 3/8	3022	(CVN)	1
6		6G6A	wc6b	1	PL Plate	5/8x42	M270-GR50W	73'-2 9/16	6530	(CVN)	2
6		6G6A	tf6a	1	PL Plate	1 1/2x18	M270-GR50W	73'-2 9/16	6720		6
6		6G6A	tf6b	1	PL Plate	1 1/2x18	M270-GR50W	33'-10	3105		5
6		6G6A	bf6a	1	PL Plate	2x22	M270-GR50W	71'-2 5/8	10654	(CVN)	10
6		6G6A	bf6b	1	PL Plate	2x22	M270-GR50W	35'-8 3/4	5345	(CVN)	9
6		6G6A	x1pa	1	PL Plate	7/8x8	M270-GR50W	3'-6	83	(CVN)	11
6		6G6A	x1pb	1	PL Plate	7/8x8	M270-GR50W	3'-6	83	(CVN)	11
6		6G6A	x1pd	1	PL Plate	7/8x8	M270-GR50W	3'-6	83	(CVN)	11
6		6G6A	x1pf	1	PL Plate	7/8x8	M270-GR50W	3'-6	83	(CVN)	11
6		6G6A	x2pn	1	PL Plate	1/2x7	M270-GR50W	3'-6	42	(CVN)	12
6		6G6A	x3pa	1	PL Plate	1/2x7	M270-GR50W	3'-6	42	(CVN)	12
6		6G6A	x3pt	1	PL Plate	1/2x7	M270-GR50W	3'-6	42	(CVN)	12
6		6G6A	x3pv	1	PL Plate	1/2x7	M270-GR50W	3'-6	42	(CVN)	12
6		6G6A	x3py	1	PL Plate	1/2x7	M270-GR50W	3'-6	42	(CVN)	12
6		6G6A	x3pz	1	PL Plate	1/4x4	M270-GR50W	1'-2 1/2	4		23

TOTAL WEIGHT	35918
- CUTS	32
+ FIELD BOLTS	REFER TO 'E1' DWG
+ WELD	124
NET TOTAL	36010



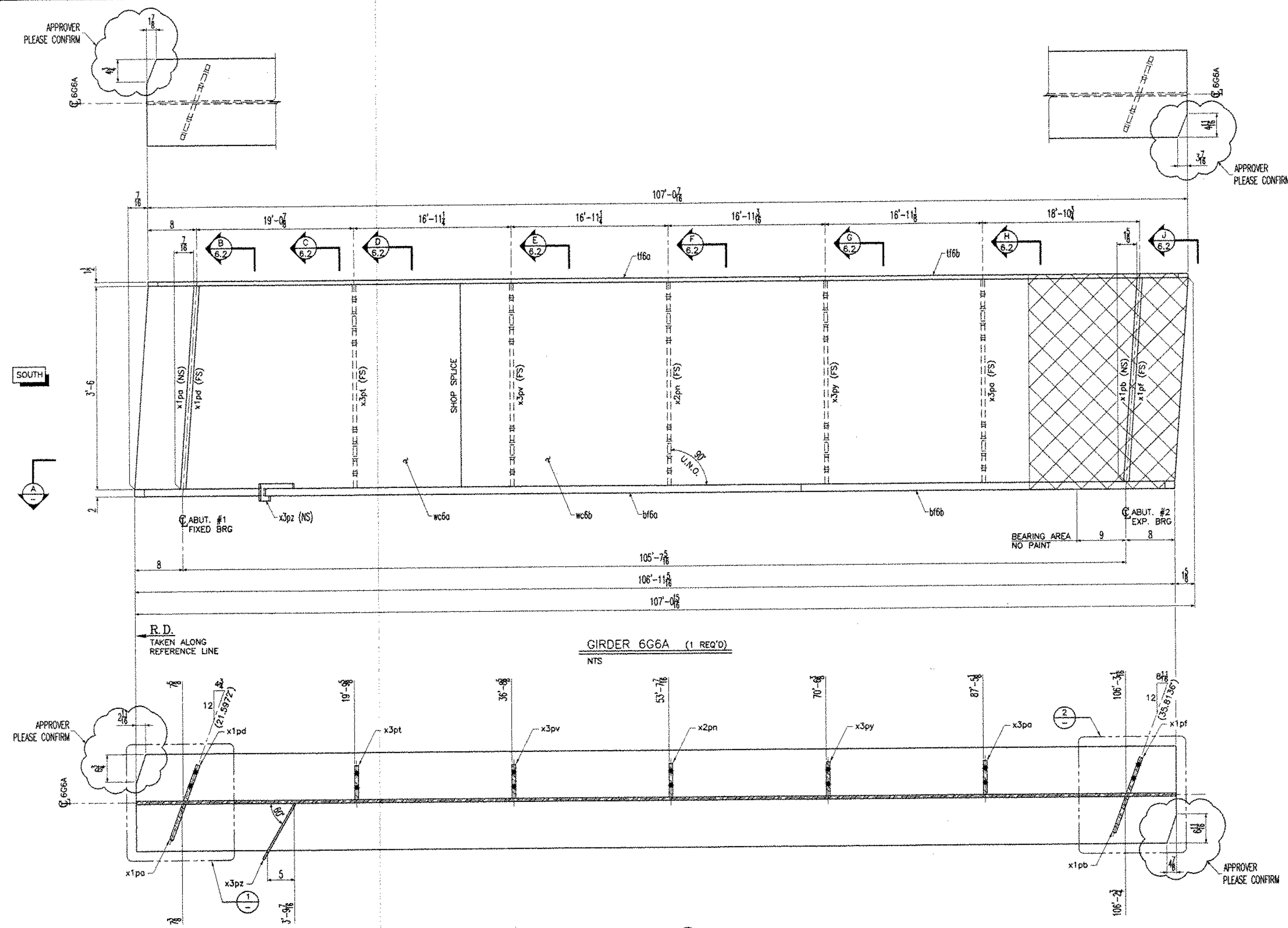
- NOTES:  
 1- GENERAL NOTES: SEE DRAWING GN1  
 2- HOLES: 15/16" (U.N.O.)  
 3- [Symbol] : PAINT ZONE (SEE DRAWING GN1)

Reviewed  / Rejected  Furnish as Contracted   
 Revise and Recontract  Submit Specified Item   
 This review is only for general conformance with the design contract, not the information given in the Construction Documents. Corrections or omissions on the shop drawings shown the review do not release the contractor from compliance with the requirements of the plans and specifications. Reviewer of a project will not be held liable for an error of which the item is a component. The contractor is responsible for compliance with the specifications and conditions of the project. The contractor's liability extends to the fabrication process or to the project, material, workmanship, inspection and approval of construction, coordination of the work with all other trades and performing all work in a safe and satisfactory manner.  
 McFarland-Johnson, Inc.  
 Date: 12-17-03  
 By: RSU RESERVED FOR STAMPS

DRAWINGS PREPARED BY:  
 AMEC E&C SERVICES LTD, 4765 1ST AVENUE, SUITE 120, CHARLESBOURG (QUEBEC), CANADA G1H 2T3 #030731-EAS

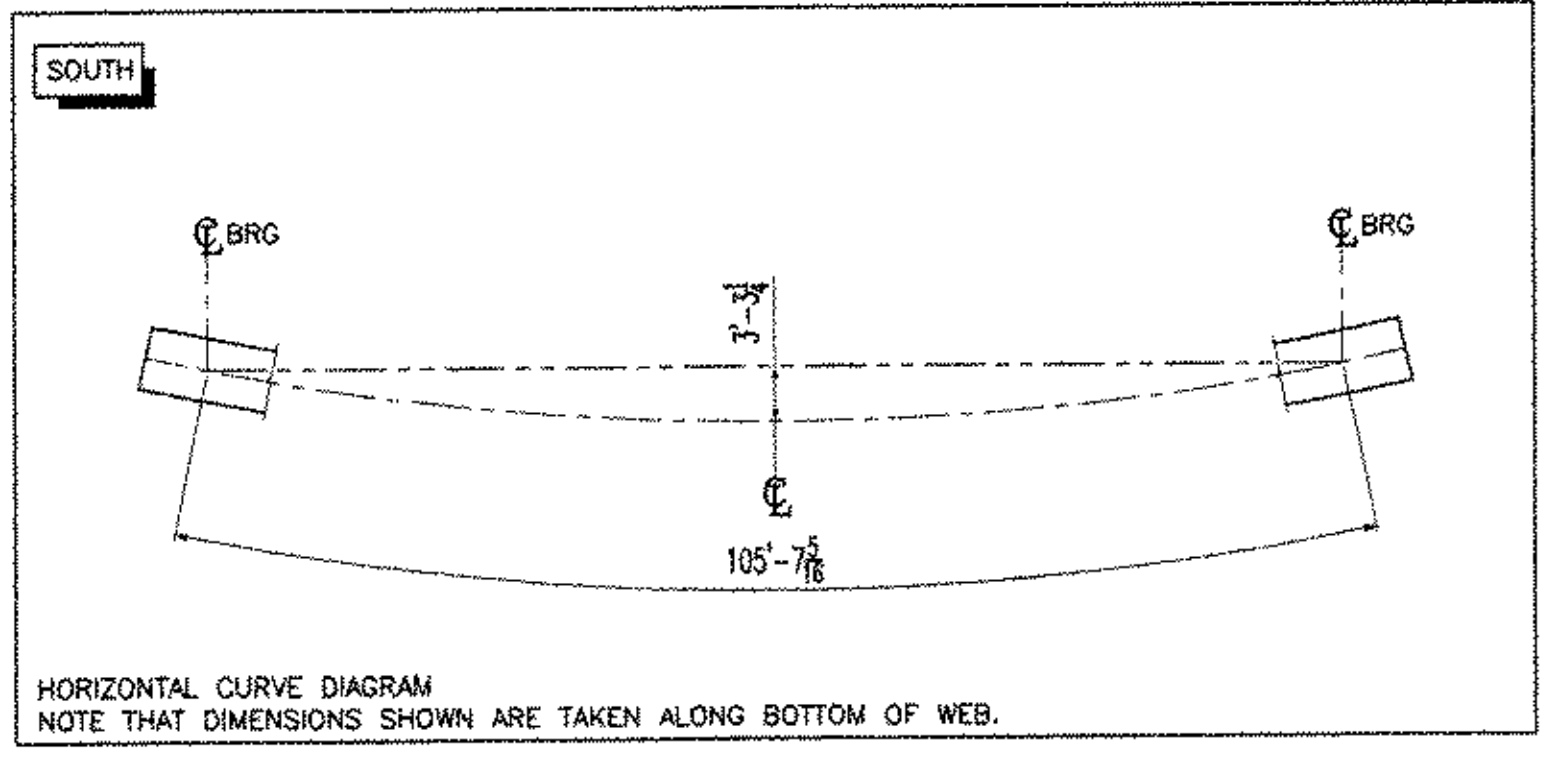
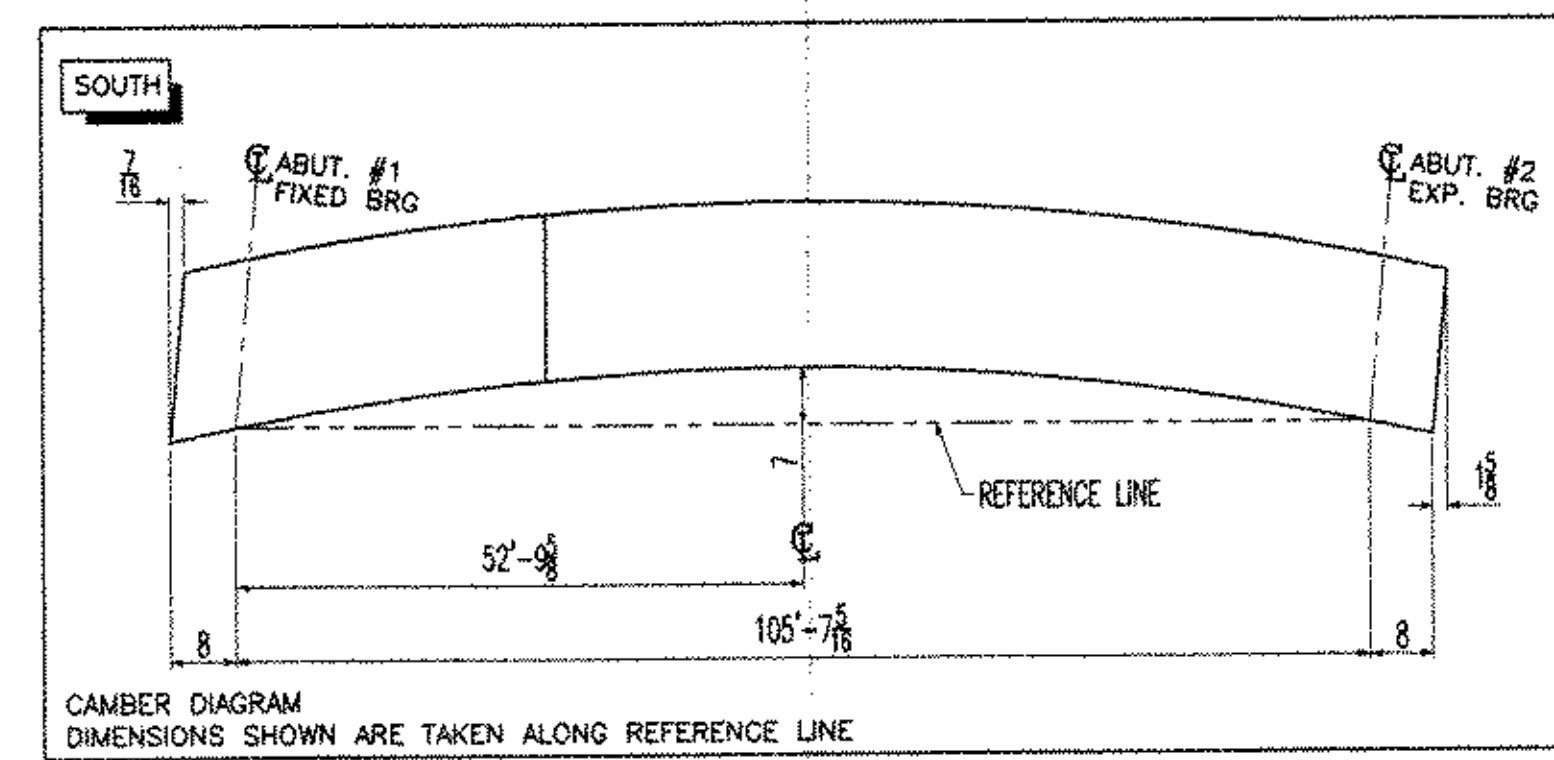
REV	DATE	DESCRIPTION	QTY	DATE	ISSUED TO	FOR
1	11/17/03	FRANK W. WHITCOMB CONSTRUCTION CO.				APPROVAL

PROJECT:	BRIDGE #12 VT 103-TH OVER WILLIAMS RIVER
LOCATION:	CHESTER, VERMONT
ENGINEER:	McFARLAND-JOHNSON, INC.
CUSTOMER:	EASTERN BRIDGE LLC
DRAWING TITLE:	GIRDER 6G6A
DRAWN BY:	D.B. 10/29/03
CHECKED BY:	L.D. 11/14/03
JOB NUMBER:	4065
SHEET NUMBER:	6.1



GIRDER 6G6A (1 REQ'D)  
 NTS

SECTION A-A  
 NTS



NOTICE  
 This drawing shall not be used or reproduced in any manner, nor shall any similar drawings or structures be made therefrom, nor shall the information thereon be used for any purpose other than that for which it is released without the written consent of an officer of EASTERN BRIDGE LLC.

WORK WITH DRAWING 6.2



EASTERN BRIDGE LLC  
 RURAL RTE 2, BOX 302  
 CLAREMONT, NH 03743  
 603-542-5202