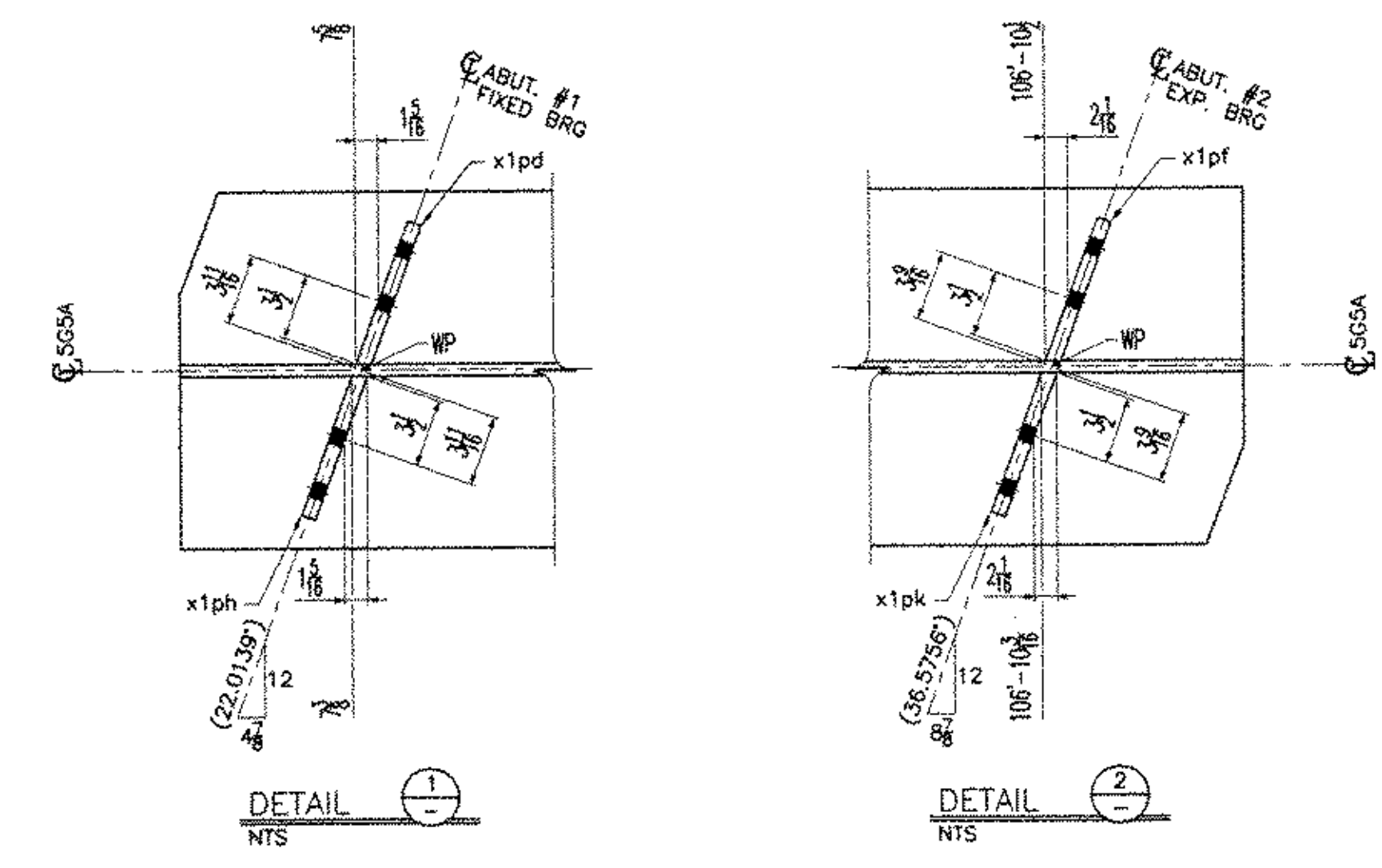
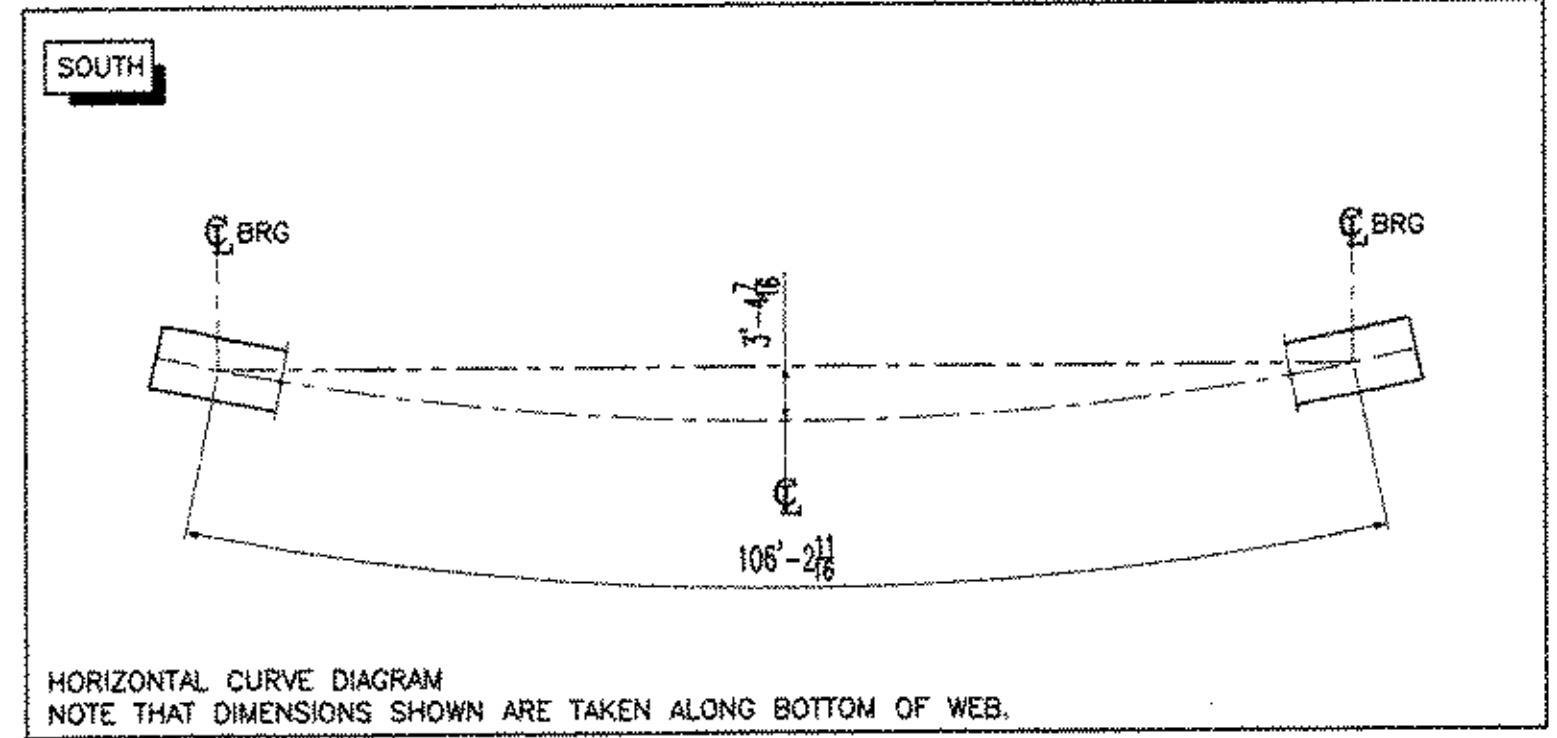
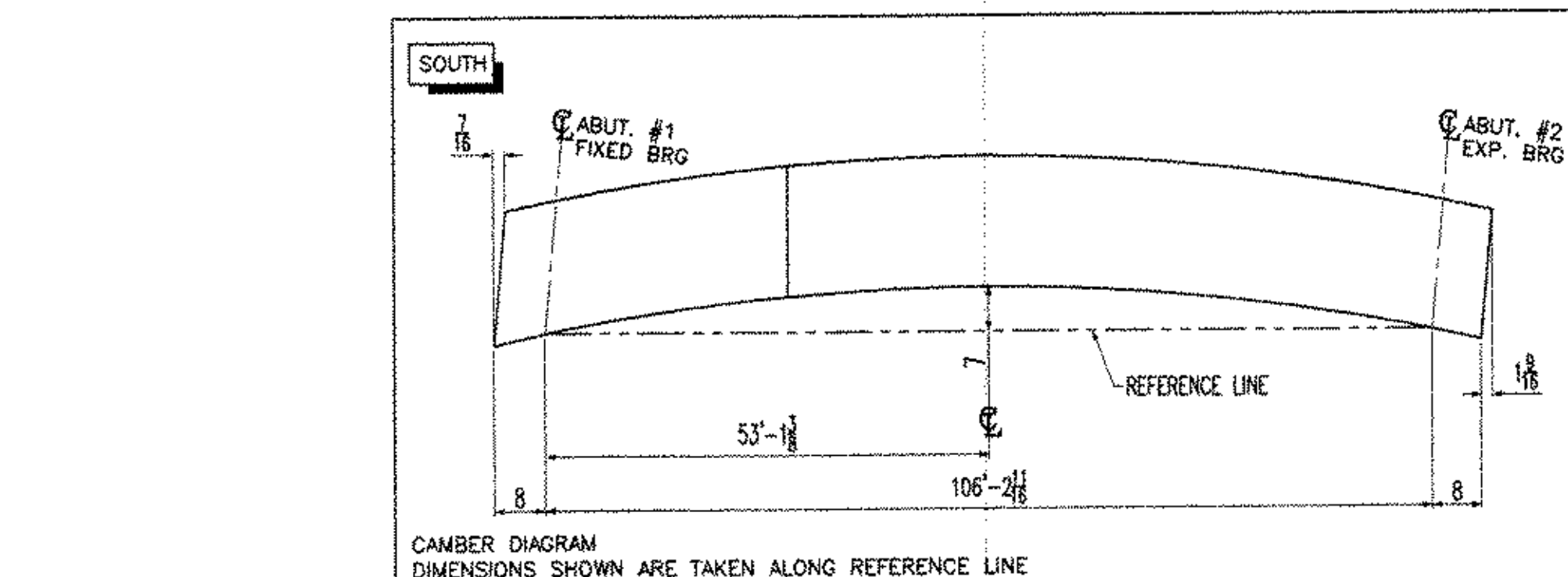
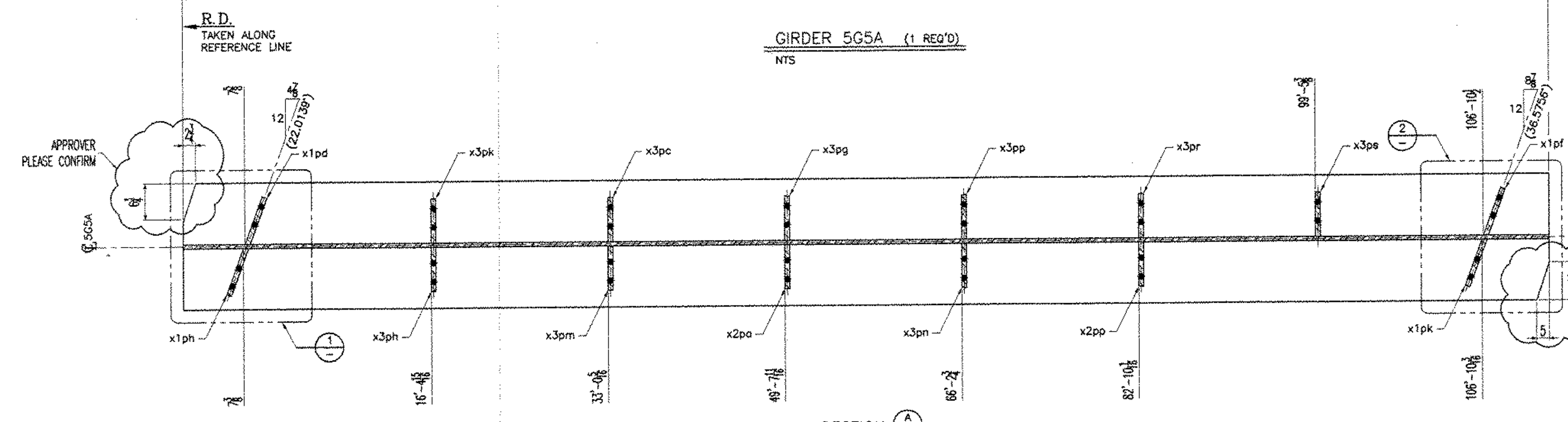
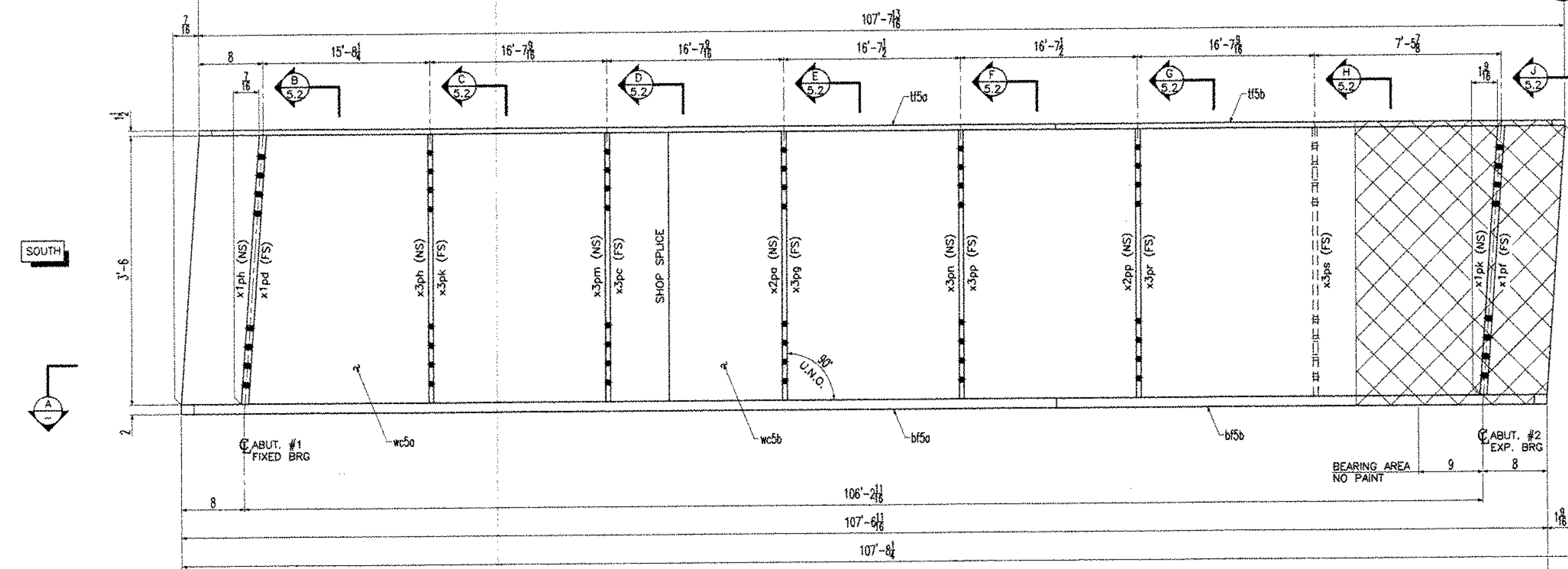


BILL OF MATERIAL												
Drawing Number	Revision Number	Ship Mark	Piece Mark	Qty	Type of Material	Size of Material	Grade	Length	Weight	Finish	Notes	
5		5G5A	wc5a	1	PL Plate	5/8x42	M270-GR50W	35'-1 7/16	3134	(CVN)	1	
5		5G5A	wc5b	1	PL Plate	5/8x42	M270-GR50W	72'-6 13/16	6477	(CVN)	2	
5		5G5A	tf5a	1	PL Plate	1 1/2x18	M270-GR50W	72'-6 15/16	6663		6	
5		5G5A	tf5b	1	PL Plate	1 1/2x18	M270-GR50W	35'-1	3221		5	
5		5G5A	bf5a	1	PL Plate	2x22	M270-GR50W	70'-7	10559	(CVN)	10	
5		5G5A	bf5b	1	PL Plate	2x22	M270-GR50W	36'-11 3/4	5532	(CVN)	9	
5		5G5A	x1pd	1	PL Plate	7/8x8	M270-GR50W	3'-6	83	(CVN)	11	
5		5G5A	x1pf	1	PL Plate	7/8x8	M270-GR50W	3'-6	83	(CVN)	11	
5		5G5A	x1ph	1	PL Plate	7/8x8	M270-GR50W	3'-6	83	(CVN)	11	
5		5G5A	x1pk	1	PL Plate	7/8x8	M270-GR50W	3'-6	83	(CVN)	11	
5		5G5A	x2po	1	PL Plate	1/2x7	M270-GR50W	3'-6	42	(CVN)	12	
5		5G5A	x2pp	1	PL Plate	1/2x7	M270-GR50W	3'-6	42	(CVN)	12	
5		5G5A	x3pc	1	PL Plate	1/2x7	M270-GR50W	3'-6	42	(CVN)	12	
5		5G5A	x3pg	1	PL Plate	1/2x7	M270-GR50W	3'-6	42	(CVN)	12	
5		5G5A	x3pk	1	PL Plate	1/2x7	M270-GR50W	3'-6	42	(CVN)	12	
5		5G5A	x3pm	1	PL Plate	1/2x7	M270-GR50W	3'-6	42	(CVN)	12	
5		5G5A	x3pn	1	PL Plate	1/2x7	M270-GR50W	3'-6	42	(CVN)	12	
5		5G5A	x3pp	1	PL Plate	1/2x7	M270-GR50W	3'-6	42	(CVN)	12	
5		5G5A	x3pr	1	PL Plate	1/2x7	M270-GR50W	3'-6	42	(CVN)	12	
5		5G5A	x3ps	1	PL Plate	1/2x7	M270-GR50W	3'-6	42	(CVN)	12	

TOTAL WEIGHT	36380
- CUTS	32
+ FIELD BOLTS	REFER TO 'E1' DWG
+ WELD	137
NET TOTAL	36485



- NOTES:  
 1 - GENERAL NOTES: SEE DRAWING GN1  
 2 - HOLES: 15/16" (U.N.O.)  
 3 - [Symbol]: PAINT ZONE (SEE DRAWING GN1)

Reviewed  / Rejected   
 Furnish as Corrected  / Revise and Resubmit  / Submit Specifiers Mark

This review is only for general compliance with the design and specifications. It does not constitute an approval of the design or construction. The designer is responsible for the design and specifications. The contractor is responsible for the construction. The engineer is responsible for the design and specifications. The contractor is responsible for the construction. The engineer is responsible for the design and specifications. The contractor is responsible for the construction.

McFarlane-Johnson, Inc.  
 Date: 12-17-03  
 By: RSW  
 RESERVED FOR STAMPS

DRAWINGS PREPARED BY:  
 AMEC E&C SERVICES LTD, 4765 1ST AVENUE, SUITE 120, CHARLESBOURG (QUEBEC), CANADA G1H 2T3 #30731-EAS

REV	DATE	DESCRIPTION	QTY	DATE	ISSUED TO	APPROVAL	FOR
1	11/17/03	FRANK W. WHITCOMB CONSTRUCTION CO.					

PROJECT: BRIDGE #12 VT 103-TH OVER WILLIAMS RIVER  
 LOCATION: CHESTER, VERMONT  
 ENGINEER: MCFARLANE-JOHNSON, INC.  
 CUSTOMER: EASTERN BRIDGE LLC  
 DRAWING TITLE: GIRDER 5G5A  
 DRAWN BY: D.B. 10/28/03 JOB  
 CHECKED BY: L.D. 11/14/03 NUMBER: 4065 SHEET NUMBER: 5.1

WORK WITH DRAWING 5.2

NOTICE  
 This drawing shall not be used or reproduced in any manner, nor shall any similar drawings or structures be made therefrom, nor shall the information thereon be used for any purpose other than that for which it is released without the written consent of an officer of EASTERN BRIDGE LLC.



EASTERN BRIDGE LLC  
 RURAL RTE 2, BOX 302  
 CLAREMONT, NH 03743  
 603-542-5202