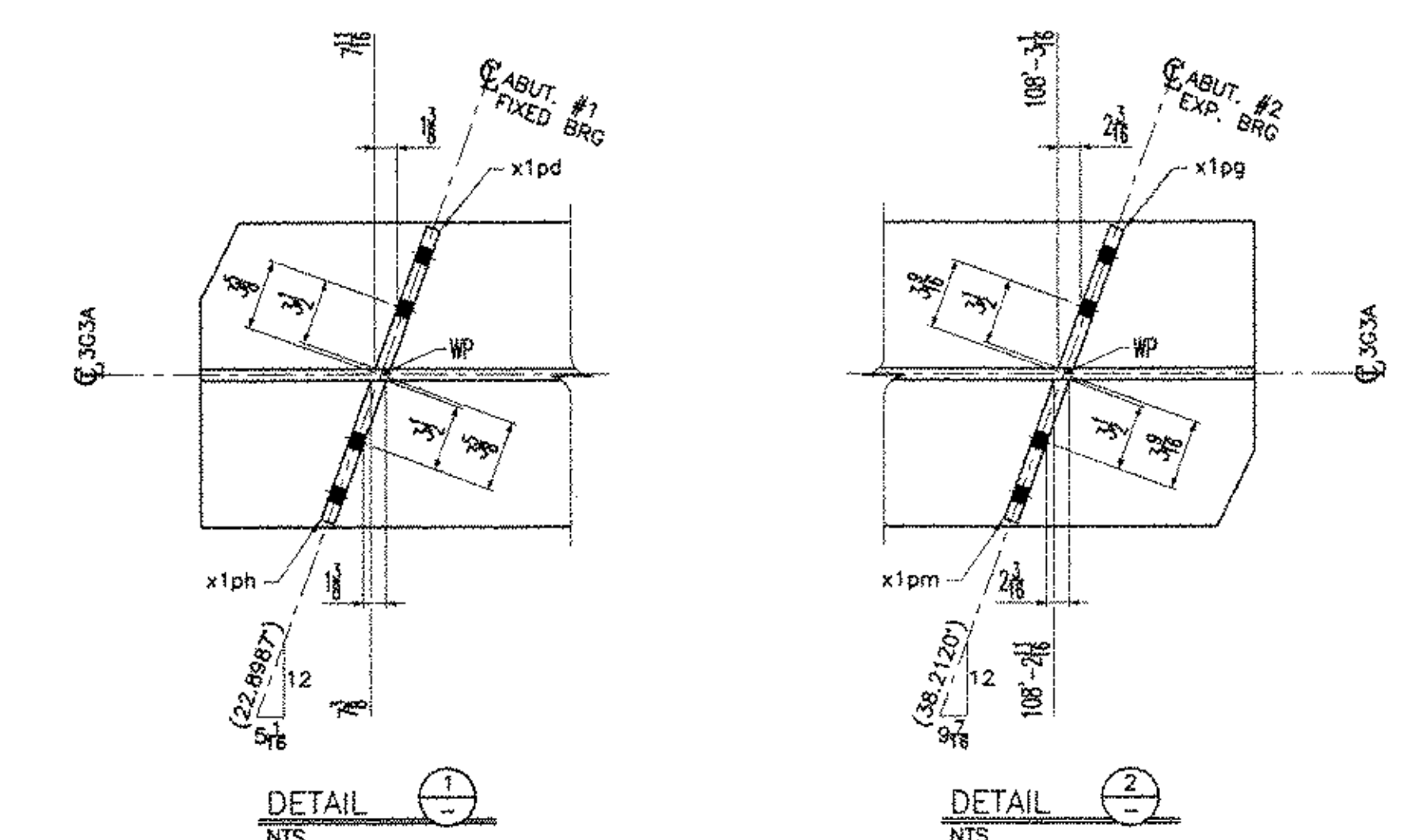


BILL OF MATERIAL											
Drawing Number	Revision Number	Ship Mark	Piece Mark	Qty	Type of Material	Size of Material	Grade	Length	Weight	Finish	Notes
3		3G3A	wc3a	1	PL Plate	5/8x42	M270-GR50W	36'-7"	3265	(CVN)	1
3		3G3A	wc3b	1	PL Plate	5/8x42	M270-GR50W	72'-5 7/8"	6470	(CVN)	2
3		3G3A	tf3a	1	PL Plate	7/8x16	M270-GR50W	72'-6"	3451		4
3		3G3A	tf3b	1	PL Plate	7/8x16	M270-GR50W	36'-6 1/2"	1739		3
3		3G3A	bf3a	1	PL Plate	1 1/2x16	M270-GR50W	70'-6 1/8"	5754	(CVN)	8
3		3G3A	bf3b	1	PL Plate	1 1/2x16	M270-GR50W	38'-5 1/4"	3137	(CVN)	7
3		3G3A	x1pd	1	PL Plate	7/8x8	M270-GR50W	3'-6"	83	(CVN)	11
3		3G3A	x1ph	1	PL Plate	7/8x8	M270-GR50W	3'-6"	83	(CVN)	11
3		3G3A	x1pg	1	PL Plate	7/8x8	M270-GR50W	3'-6"	83	(CVN)	11
3		3G3A	x1pm	1	PL Plate	7/8x8	M270-GR50W	3'-6"	83	(CVN)	11
3		3G3A	x1pn	1	PL Plate	1/2x7	M270-GR50W	3'-6"	42	(CVN)	12
3		3G3A	x1ps	1	PL Plate	1/2x7	M270-GR50W	3'-6"	42	(CVN)	12
3		3G3A	x1pz	1	PL Plate	1/2x7	M270-GR50W	3'-6"	42	(CVN)	12
3		3G3A	x2pg	1	PL Plate	1/2x7	M270-GR50W	3'-6"	42	(CVN)	12
3		3G3A	x2ph	1	PL Plate	1/2x7	M270-GR50W	3'-6"	42	(CVN)	12
3		3G3A	x2pn	1	PL Plate	1/2x7	M270-GR50W	3'-6"	42	(CVN)	12
3		3G3A	x2pn	1	PL Plate	1/2x7	M270-GR50W	3'-6"	42	(CVN)	12
3		3G3A	x2pp	1	PL Plate	1/2x7	M270-GR50W	3'-6"	42	(CVN)	12
3		3G3A	x2pr	1	PL Plate	1/2x7	M270-GR50W	3'-6"	42	(CVN)	12
3		3G3A	x2ps	1	PL Plate	1/2x7	M270-GR50W	3'-6"	42	(CVN)	12
3		3G3A	x2pt	1	PL Plate	1/2x7	M270-GR50W	3'-6"	42	(CVN)	12
3		3G3A	x2pv	1	PL Plate	1/2x7	M270-GR50W	3'-6"	42	(CVN)	12
3		3G3A	x2pv	1	PL Plate	1/2x7	M270-GR50W	3'-6"	42	(CVN)	12

TOTAL WEIGHT	24652
-CUTS	26
+FIELD BOLTS	REFER TO 'E1' DWG
+WELD	140
NET TOTAL	24764



- NOTES:  
 1- GENERAL NOTES: SEE DRAWING GN1  
 2- HOLES : 15/16" (U.N.O.)  
 3- [Symbol] : PAINT ZONE (SEE DRAWING GN1)

Reviewed  
 Rejected  
 Furnish as Committed  
 Revise and Resubmit  
 Quaterny Specification

This review is only for general confirmation with the design. It is not intended to be an endorsement of the design or a guarantee of the accuracy of the information provided. The reviewer is not responsible for the design or the construction of the structure. The reviewer is not responsible for the design or the construction of the structure. The reviewer is not responsible for the design or the construction of the structure.

Date: 12-17-03  
 By: RSW  
 RESERVED FOR STAMPS

DRAWINGS PREPARED BY:  
 AMEC E&C SERVICES LTD, 4765 1ST AVENUE, SUITE 120, CHARLESBOURG (QUEBEC), CANADA G1H 2T3 #030731-EAS

REV	DATE	DESCRIPTION	QTY	DATE	ISSUED TO	FOR
1	11/17/03	FRANK W. WHITCOMB CONSTRUCTION CO.				APPROVAL

PROJECT:	BRIDGE #12 VT 103-TH OVER WILLIAMS RIVER
LOCATION:	CHESTER, VERMONT
ENGINEER:	McFARLAND-JOHNSON, INC.
CUSTOMER:	EASTERN BRIDGE LLC
DRAWING TITLE:	GIRDER 3G3A
DRAWN BY:	D.B. 10/27/03
CHECKED BY:	L.D. 11/14/03
JOB NUMBER:	4065
SHEET NUMBER:	3.1

NOTICE  
 This drawing shall not be used or reproduced in any manner, nor shall any similar drawings or structures be made therefrom, nor shall the information thereon be used for any purpose other than that for which it is released without the written consent of an officer of EASTERN BRIDGE LLC.

WORK WITH DRAWING 3.2

