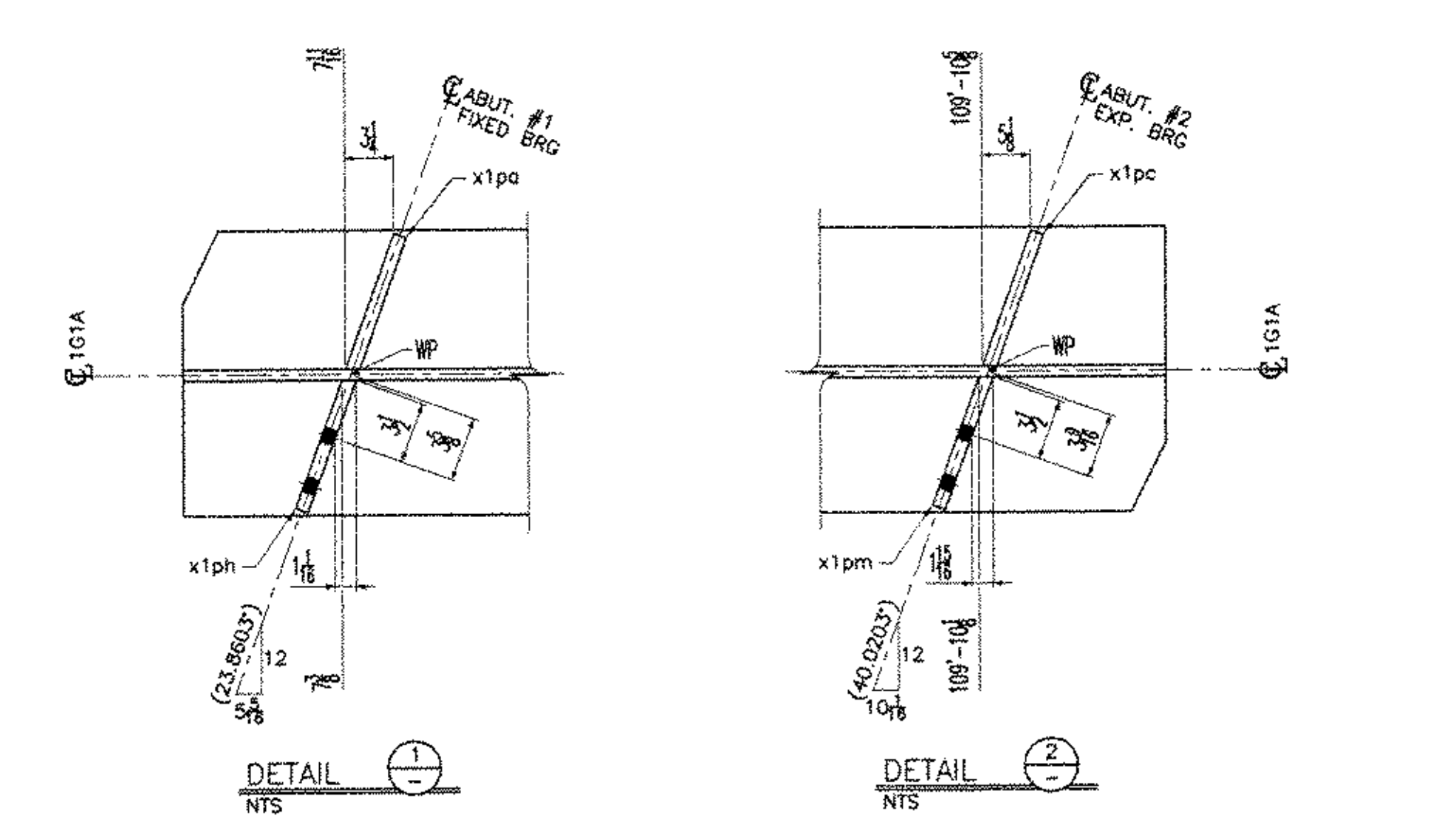


Drawing Number	Revision Number	Ship Mark	Piece Mark	Qty	Type of Material	Size of Material	Grade	Length	Weight	Finish	Notes
1		1G1A	wc1a	1	PL Plate	5/8x42	M270-GR50W	36'-1 3/8	3223	(CVN)	1
1		1G1A	wc1b	1	PL Plate	5/8x42	M270-GR50W	74'-7	6657	(CVN)	2
1		1G1A	tf1a	1	PL Plate	7/8x16	M270-GR50W	74'-7 1/16	3550		4
1		1G1A	tf1b	1	PL Plate	7/8x16	M270-GR50W	38'-1	1718		3
1		1G1A	bf1a	1	PL Plate	1 1/2x16	M270-GR50W	72'-7 3/16	5924	(CVN)	8
1		1G1A	bf1b	1	PL Plate	1 1/2x16	M270-GR50W	37'-11 3/4	3099	(CVN)	7
1		1G1A	x1pa	1	PL Plate	7/8x8	M270-GR50W	3'-6	83	(CVN)	11
1		1G1A	x1pb	1	PL Plate	7/8x8	M270-GR50W	3'-6	83	(CVN)	11
1		1G1A	x1pc	1	PL Plate	7/8x8	M270-GR50W	3'-6	83	(CVN)	11
1		1G1A	x1pd	1	PL Plate	7/8x8	M270-GR50W	3'-6	83	(CVN)	11
1		1G1A	x1pe	1	PL Plate	7/8x8	M270-GR50W	3'-6	83	(CVN)	11
1		1G1A	x1pf	1	PL Plate	7/8x8	M270-GR50W	3'-6	83	(CVN)	11
1		1G1A	x1pg	1	PL Plate	7/8x8	M270-GR50W	3'-6	83	(CVN)	11
1		1G1A	x1ph	1	PL Plate	1/2x7	M270-GR50W	3'-6	42	(CVN)	12
1		1G1A	x1pi	1	PL Plate	1/2x7	M270-GR50W	3'-6	42	(CVN)	12
1		1G1A	x1pj	1	PL Plate	1/2x7	M270-GR50W	3'-6	42	(CVN)	12
1		1G1A	x1pk	1	PL Plate	1/2x7	M270-GR50W	3'-6	42	(CVN)	12
1		1G1A	x1pl	1	PL Plate	1/2x7	M270-GR50W	3'-6	42	(CVN)	12
1		1G1A	x1pm	1	PL Plate	1/2x7	M270-GR50W	3'-6	42	(CVN)	12
1		1G1A	x1pn	1	PL Plate	1/2x7	M270-GR50W	3'-6	42	(CVN)	12
1		1G1A	x1po	1	PL Plate	1/2x7	M270-GR50W	3'-6	42	(CVN)	12
1		1G1A	x1pp	1	PL Plate	1/2x7	M270-GR50W	3'-6	42	(CVN)	12
1		1G1A	x1pq	1	PL Plate	1/2x7	M270-GR50W	3'-6	42	(CVN)	12
1		1G1A	x1pr	1	PL Plate	1/2x7	M270-GR50W	3'-6	42	(CVN)	12
1		1G1A	x1ps	1	PL Plate	1/2x7	M270-GR50W	3'-6	42	(CVN)	12
1		1G1A	x1pt	1	PL Plate	1/2x7	M270-GR50W	3'-6	42	(CVN)	12
1		1G1A	x1pu	1	PL Plate	1/2x7	M270-GR50W	3'-6	42	(CVN)	12
1		1G1A	x1pv	1	PL Plate	1/2x7	M270-GR50W	3'-6	42	(CVN)	12
1		1G1A	x1pw	1	PL Plate	1/2x7	M270-GR50W	3'-6	42	(CVN)	12
1		1G1A	x1px	1	PL Plate	1/2x7	M270-GR50W	3'-6	42	(CVN)	12
1		1G1A	x1py	1	PL Plate	1/4x3 1/2	M270-GR50W	0'-11	3		23

TOTAL WEIGHT	24758
-CUTS	28
+FIELD BOLTS	REFER TO 'E1' DWG
+WELD	130
NET TOTAL	24860



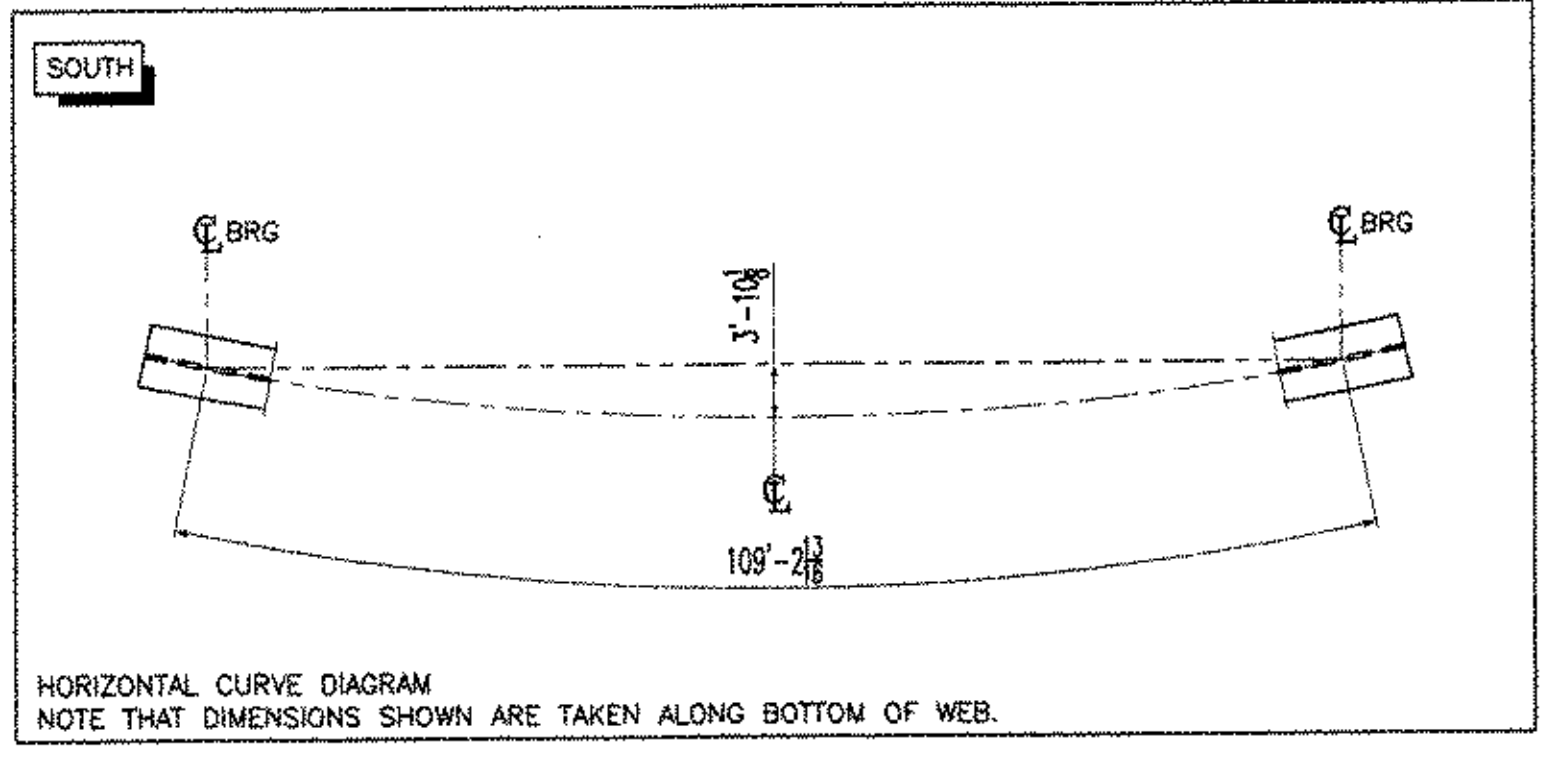
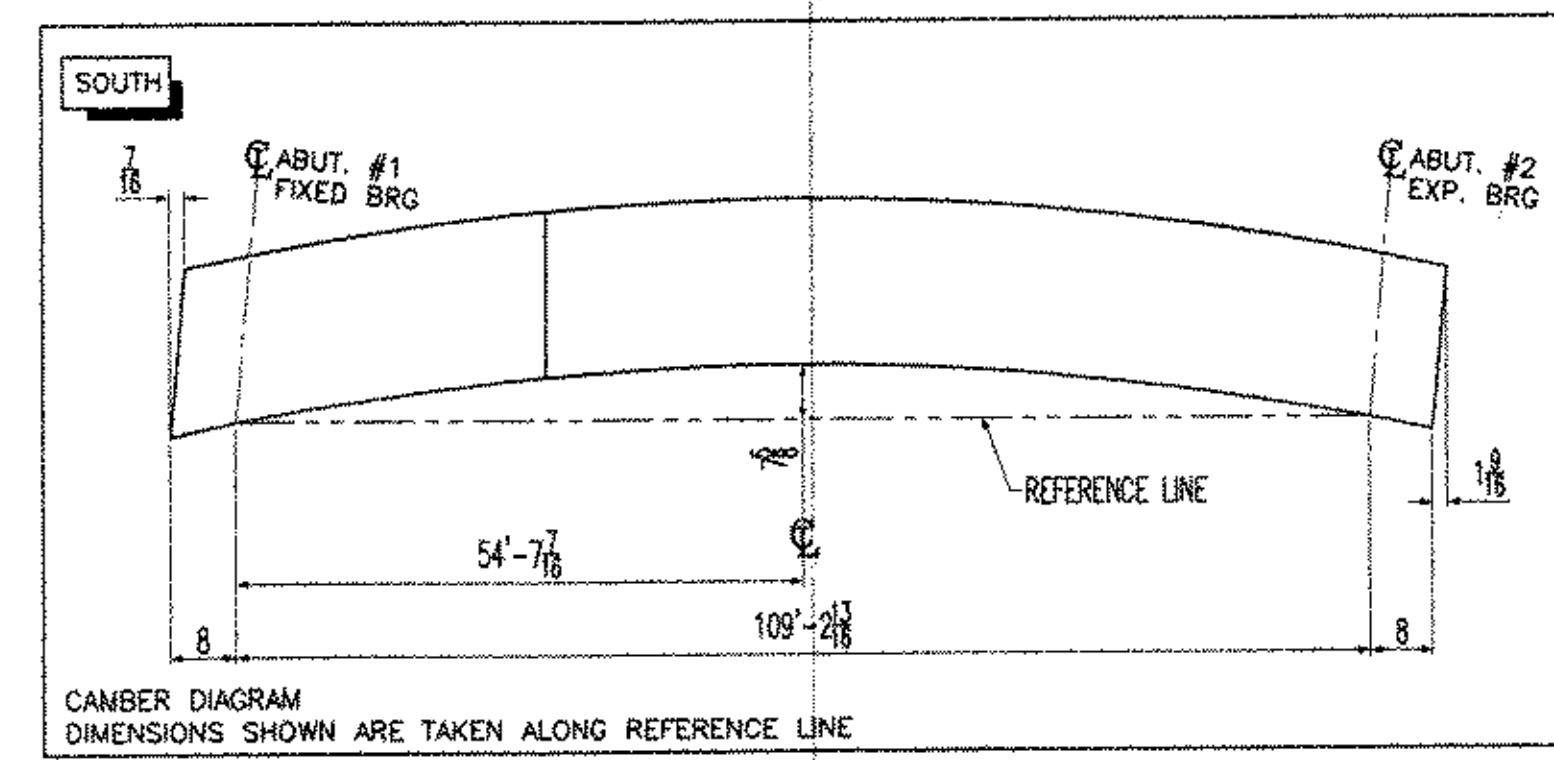
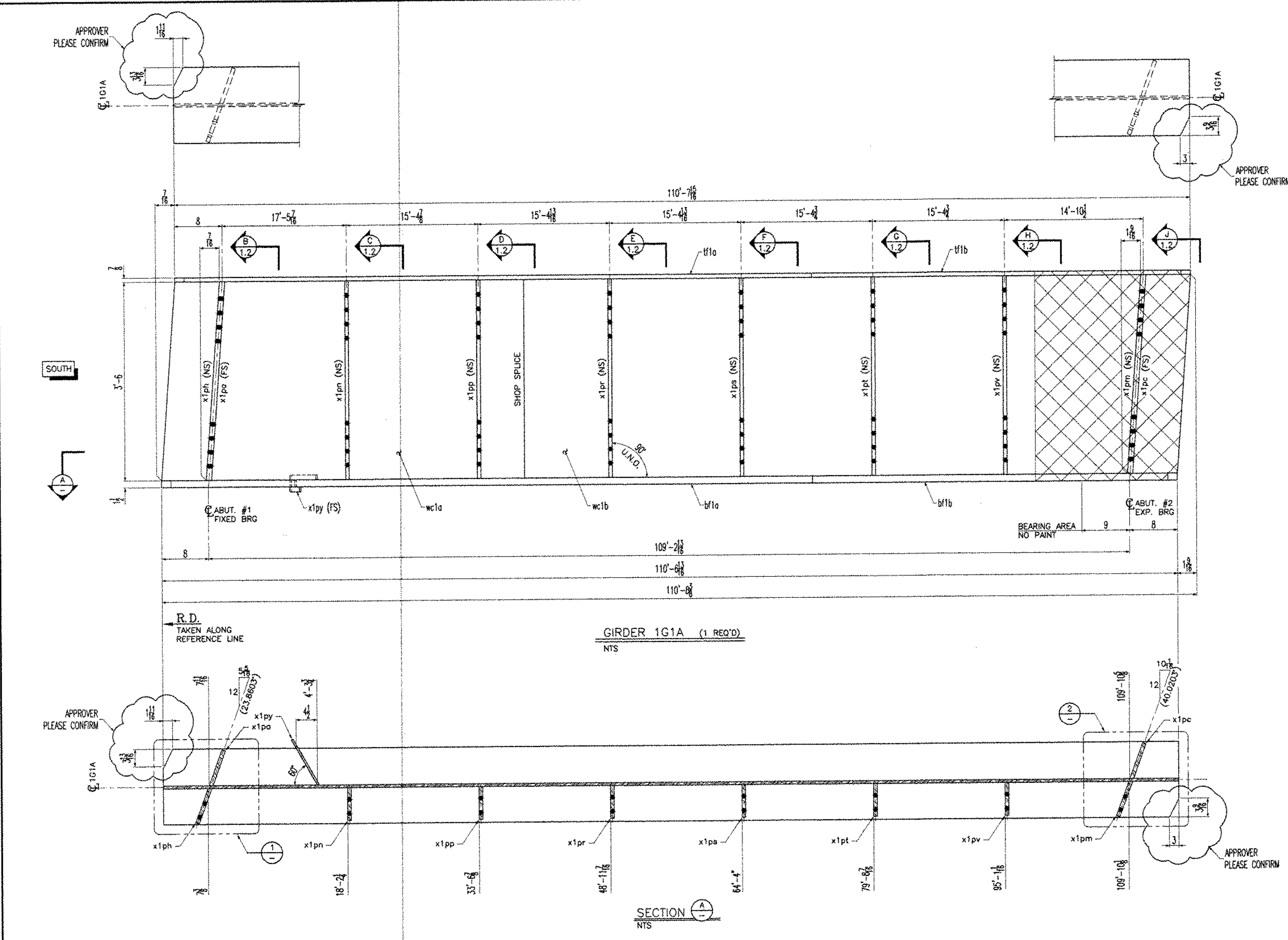
- NOTES:
 1- GENERAL NOTES: SEE DRAWING GN1
 2- HOLES: 15/16" (U.N.O.)
 3- [Hatched Area]: PAINT ZONE (SEE DRAWING GN1)

McFarland-Johnson, Inc.
 Date: 12-17-03
 By: RSW
 RESERVED FOR STAMPS

DRAWINGS PREPARED BY:
 AMEC & SERVICES LTD, 4765 1ST AVENUE, SUITE 120, CHARLESBOURG (QUEBEC), CANADA G1H 2T3 #030731-EAS

REV	DATE	DESCRIPTION	QTY	DATE	ISSUED TO	APPROVAL	FOR
8	11/17/03	FRANK W. WHITCOMB CONSTRUCTION CO.					

PROJECT: BRIDGE #12 VT 103-TH OVER WILLIAMS RIVER
 LOCATION: CHESTER, VERMONT
 ENGINEER: MCFARLAND-JOHNSON, INC.
 CUSTOMER: EASTERN BRIDGE LLC
 DRAWING TITLE: GIRDER 1G1A
 DRAWN BY: D.B. 10/22/03
 CHECKED BY: L.D. 11/14/03
 JOB NUMBER: 4065
 SHEET NUMBER: 1.1



NOTICE
 This drawing shall not be used or reproduced in any manner, nor shall any similar drawings or structures be made therefrom, nor shall the information thereon be used for any purpose other than that for which it is released without the written consent of an officer of EASTERN BRIDGE LLC.

WORK WITH DRAWING 1.2



EASTERN BRIDGE LLC
 RURAL RTE 2, BOX 302
 CLAREMONT, NH 03743
 603-542-5202