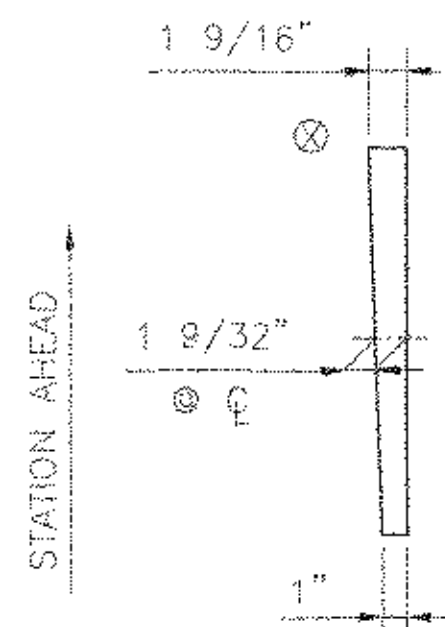
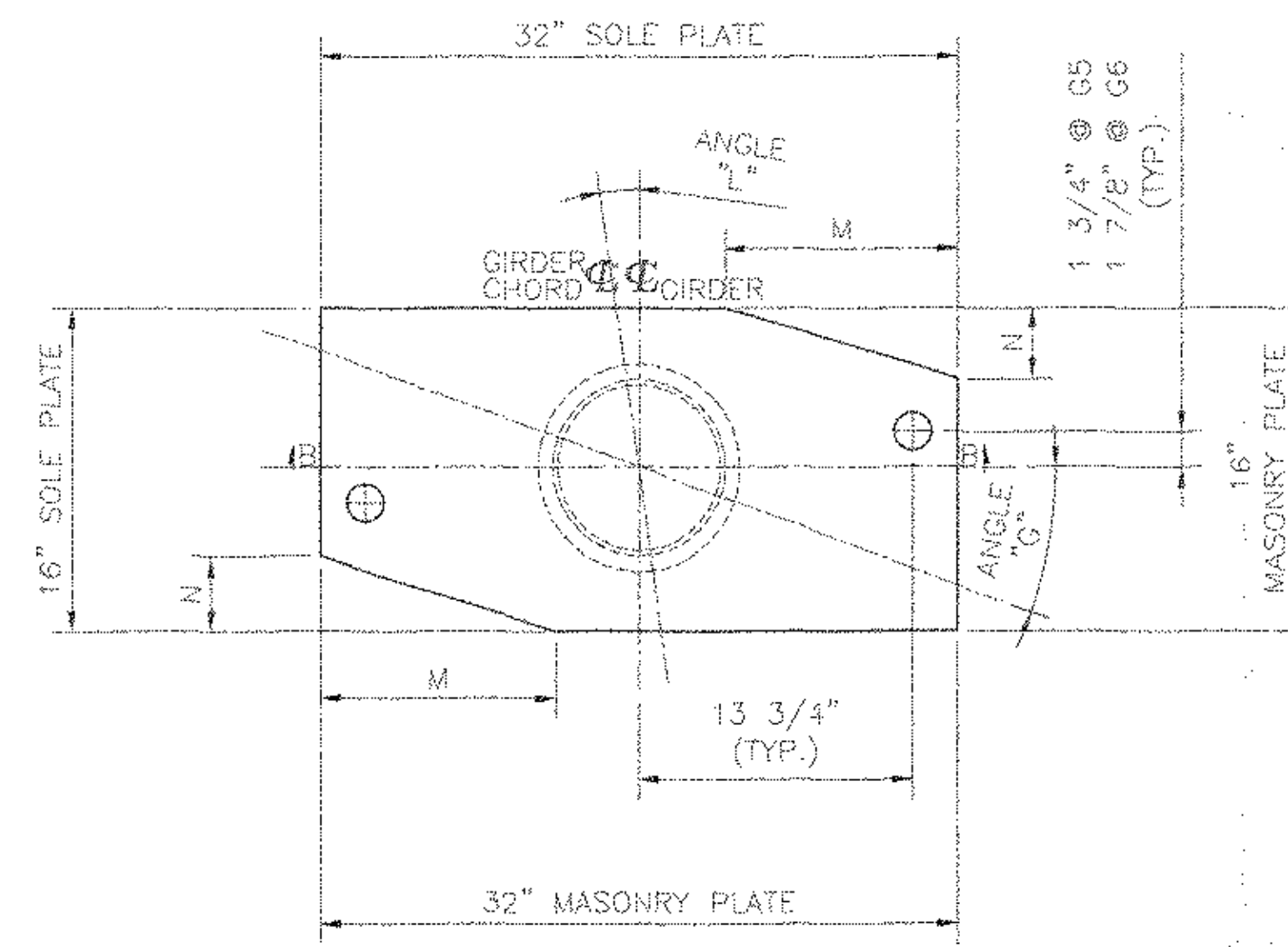


PLAN

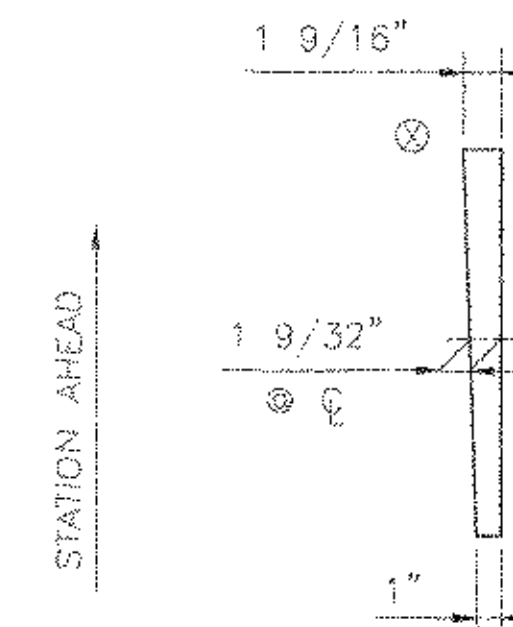


SIDE ELEVATION
BEVELED SOLE PLATE ONLY

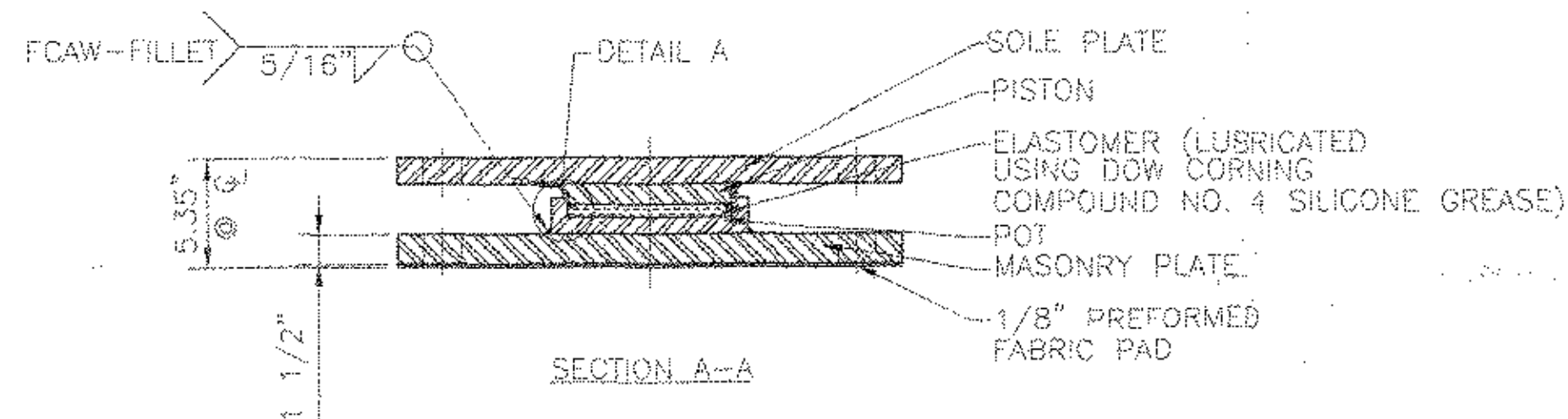
GIRDER	ANGLE "L"	ANGLE "G"	M	N
G1	8'04'48"	23'51'37"	8 3/8"	3 11/16"
G2	7'51'42"	23'22'10"	8 3/8"	3 11/16"
G3	7'39'24"	22'53'55"	8 3/8"	3 11/16"
G4	7'27'48"	22'26'50"	8 3/8"	3 11/16"
G5	7'16'51"	22'00'50"	11 3/4"	4 3/4"
G6	7'06'29"	21'35'50"	11 3/4"	4 3/4"



PLAN

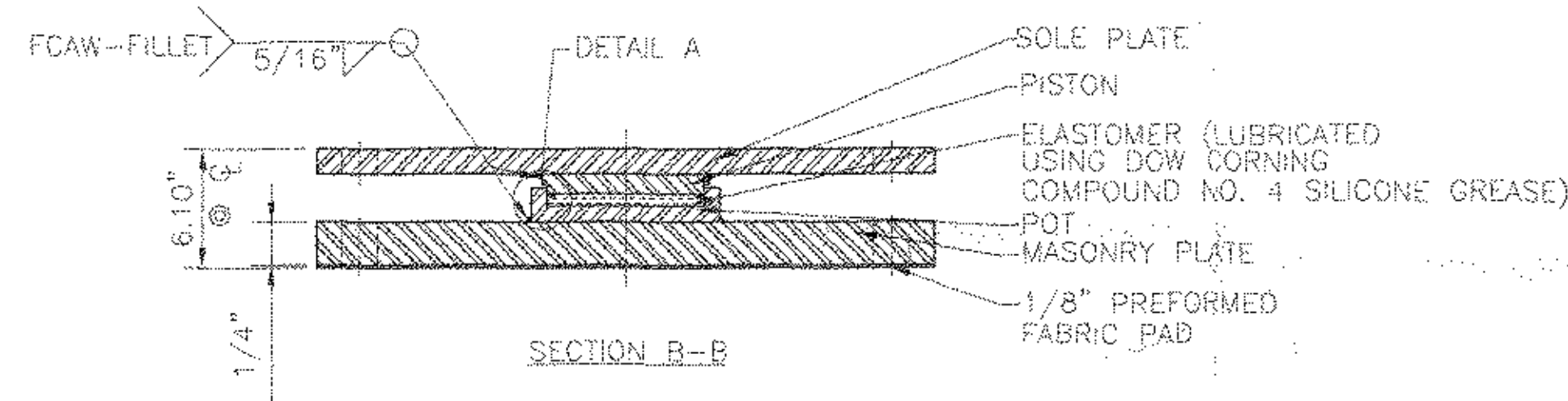


SIDE ELEVATION
BEVELED SOLE PLATE ONLY

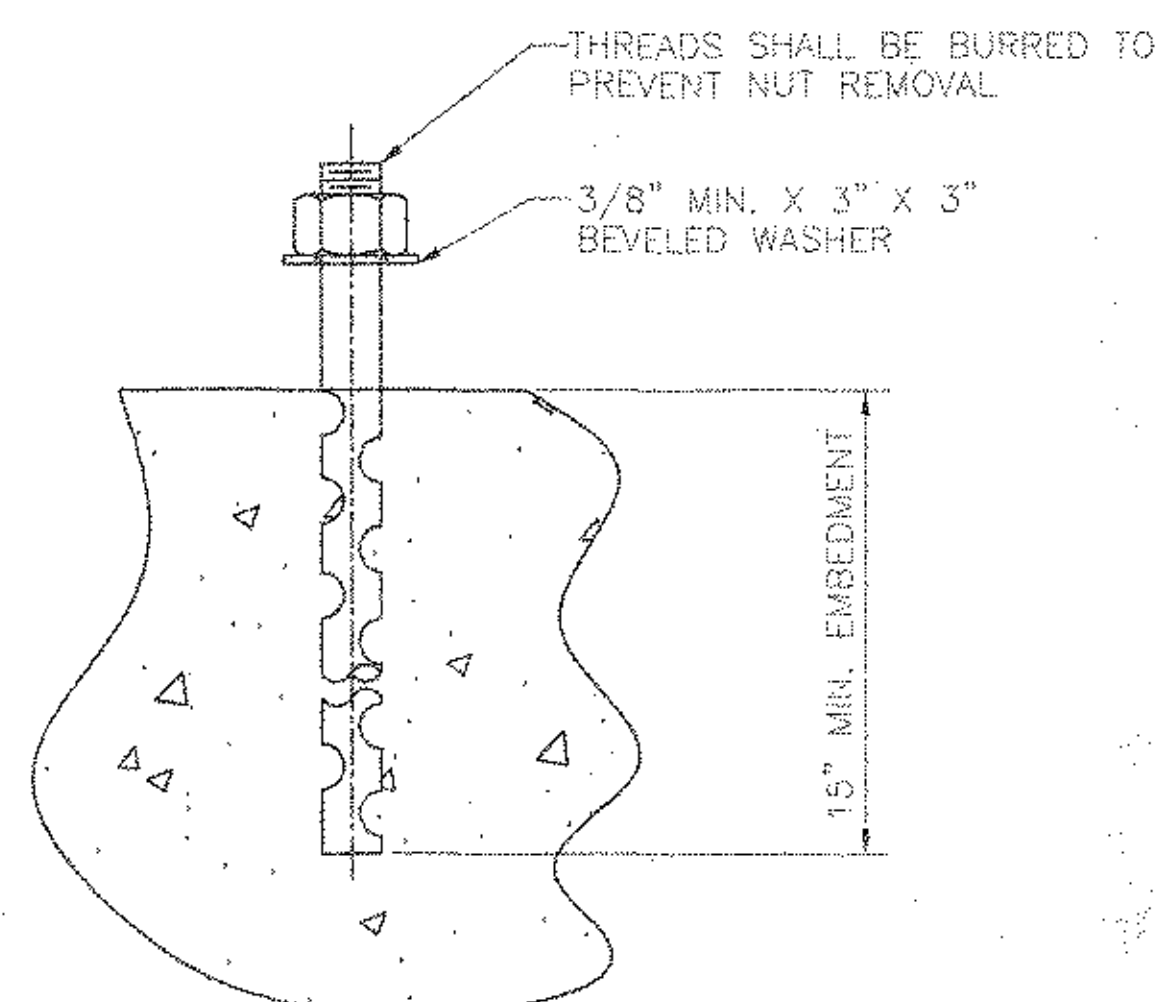


FIXED POT BEARING
 LOCATION - ABUT. 1, G1-G4
 QUANTITY - 4
 DESIGN LOAD - 182 KIPS
 HORIZONTAL LOAD - 19 KIPS
 MINIMUM ALLOWABLE DESIGN ROTATION - 0.015 RADIAN

NOTE:
 OVERALL HEIGHTS DIFFER FROM THOSE SHOWN ON THE CONTRACT PLANS. CONTRACTOR SHALL ADJUST PEDESTAL HEIGHTS TO ACCURATELY REFLECT THE HEIGHTS OF BEARINGS SUPPLIED.

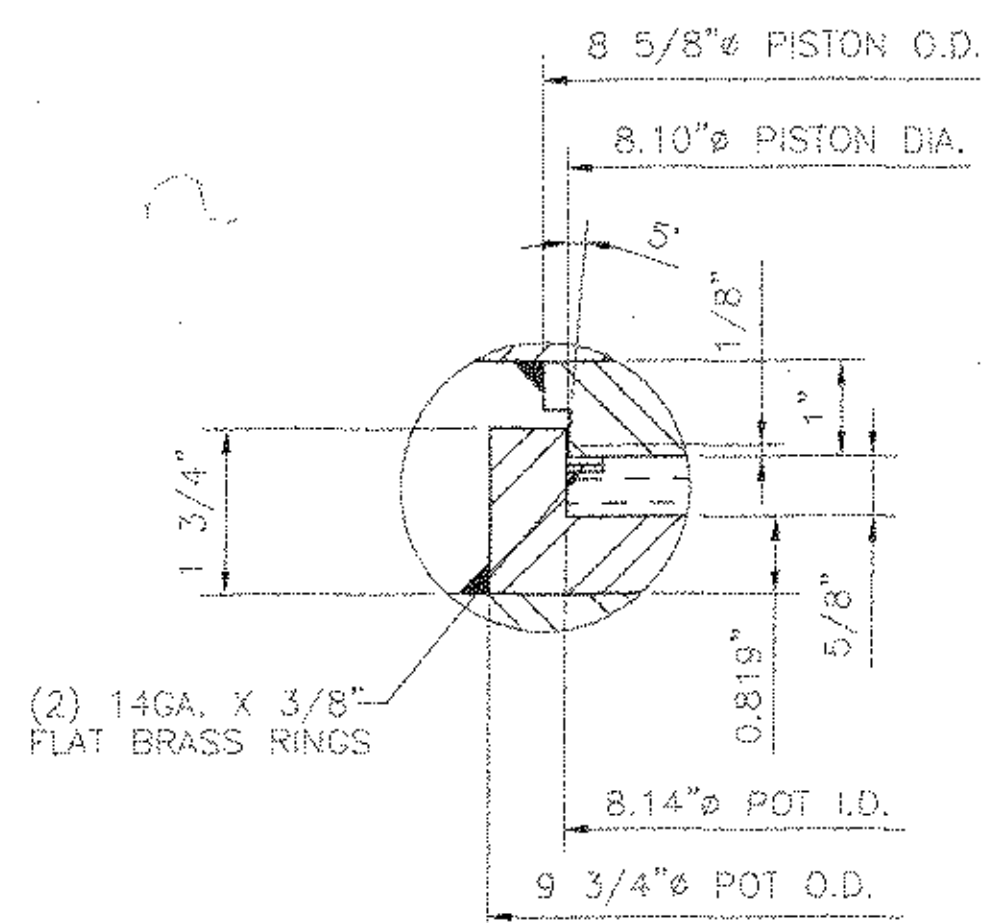


FIXED POT BEARING
 LOCATION - ABUT. 1, G5 & G6
 QUANTITY - 2
 DESIGN LOAD - 182 KIPS
 HORIZONTAL LOAD - 19 KIPS
 MINIMUM ALLOWABLE DESIGN ROTATION - 0.015 RADIAN



ANCHOR BOLT DETAIL
N.T.S.

1 1/2" x 24" LONG ASTM F1554 GR. 55 SWEDGED ANCHOR BOLT WITH 4" OF THREADS ONE END, ONE ASTM A563 HEAVY HEX NUT & ONE A36 PLATE WASHER. ALL GALVANIZED



DETAIL A

MATERIAL:
 STEEL - ASTM A709 GR. 50W ZINC METALIZED
 ELASTOMER - AASHTO 50 DUROMETER NEOPRENE OR NATURAL RUBBER
 FLAT BRASS RINGS - ASTM B36 HALF HARD
 PREFORMED FABRIC PAD - AASHTO 18.4.10.1 DIV. II

- NOTES:**
- BEARINGS MUST NOT BE DISASSEMBLED
 - ALL BEARINGS SHALL BE METALIZED AS PER SECTION 531.04(b) & 906.15 (a) & (b). AREAS OF METALIZED DAMAGED BY FIELD WELDS OR HANDLING SHALL BE REPAIRED PER SUPPLEMENTAL SPECIFICATION 513.05(f).
 - LOCATION OF FABRICATION PLANT - 70 SOUTH ST., WALPOLE, MA 02081
 - COSMEC INC. REPRESENTATIVE - MR. MATT McANDREWS (508-668-6600)
 - ⊗ INDICATES THICK END OF BEVELED SOLE PLATE

STATE OF VERMONT
 AGENCY OF TRANSPORTATION
 PROJ. NO. BRP 025-(35)
 HIGHWAY VT 103
 VT 103 OVER THE WILLIAMS RIVER
 TOWN OF CHESTER

COSMEC, INC. 70 SOUTH STREET
 WALPOLE, MA. 02081

SCALE: 1/8" = 1"	DRAWN BY: NH	CHECKED BY: MCM
SHEET: 1 OF 3	DATE: 8/18/03	DATE: 8/28/03
COSMEC POT BEARINGS		
CUSTOMER: F.W. WHITCOMB	S.D. NUMBER: 59903	DRAWING NUMBER: 3921

REV.	BY	DATE	OK'D	DATE