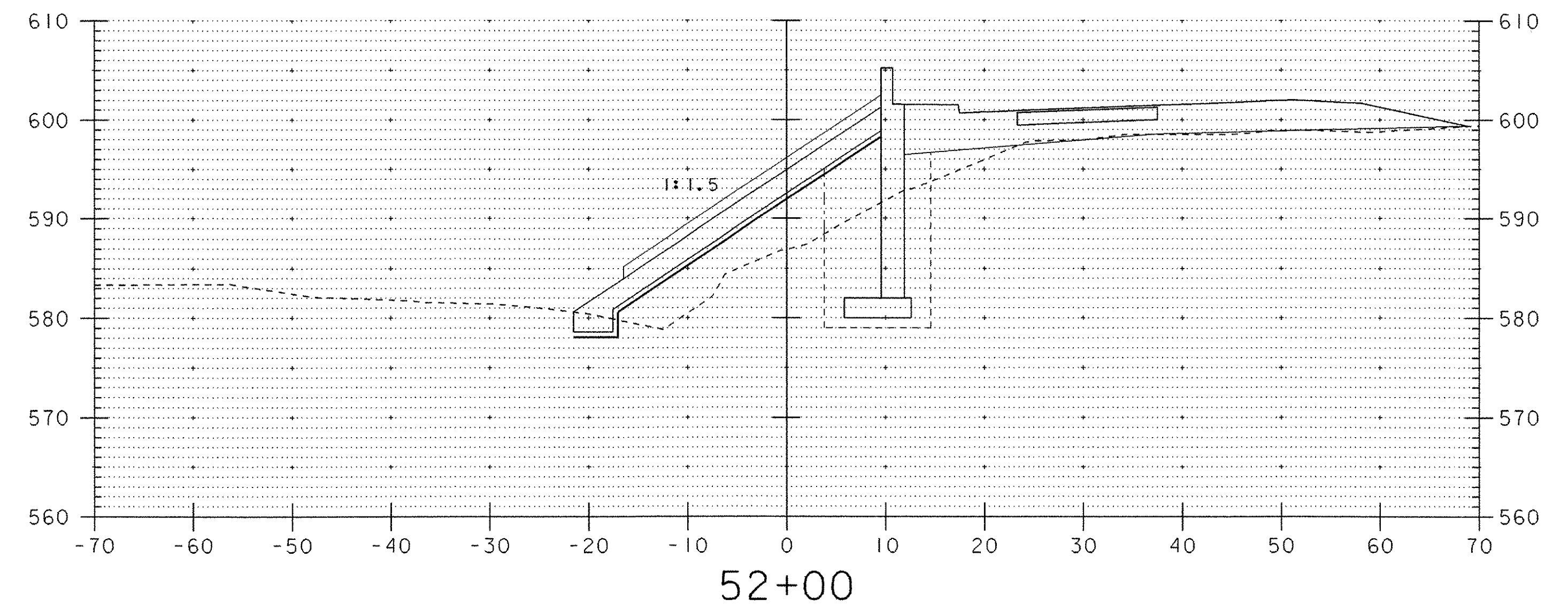
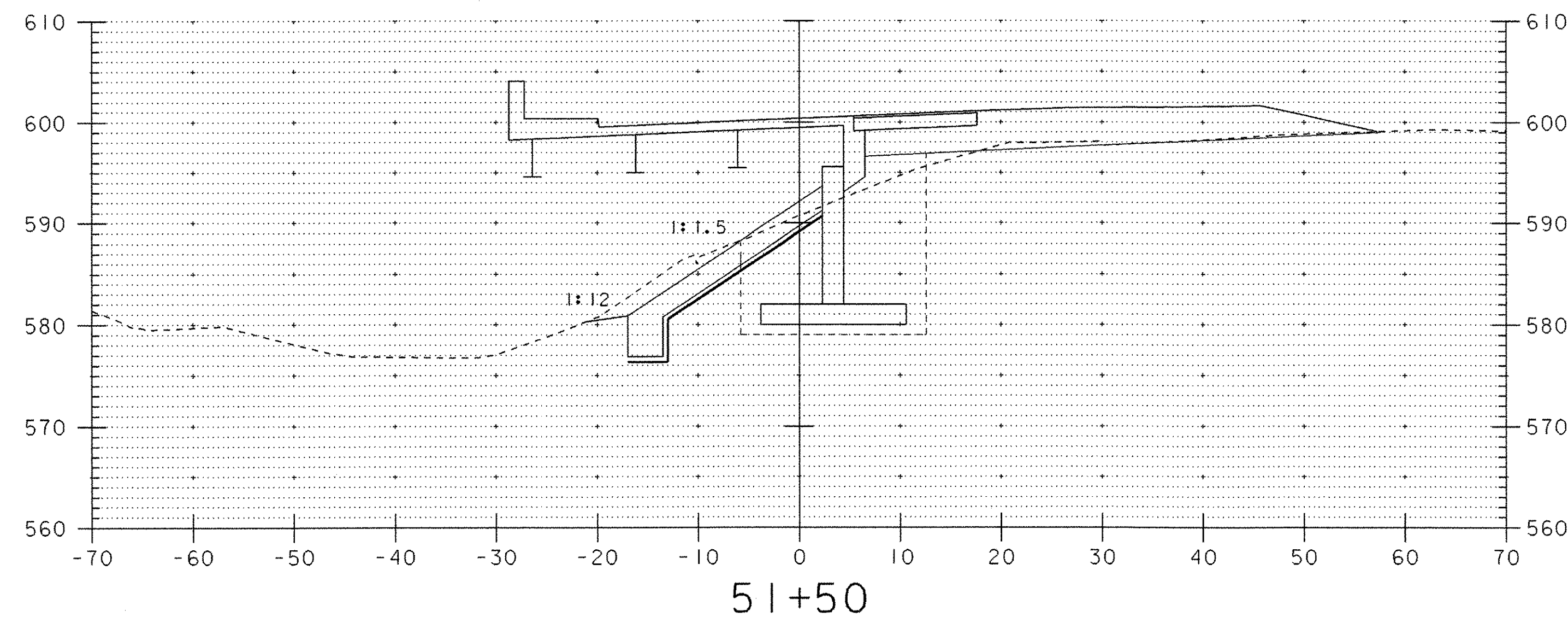
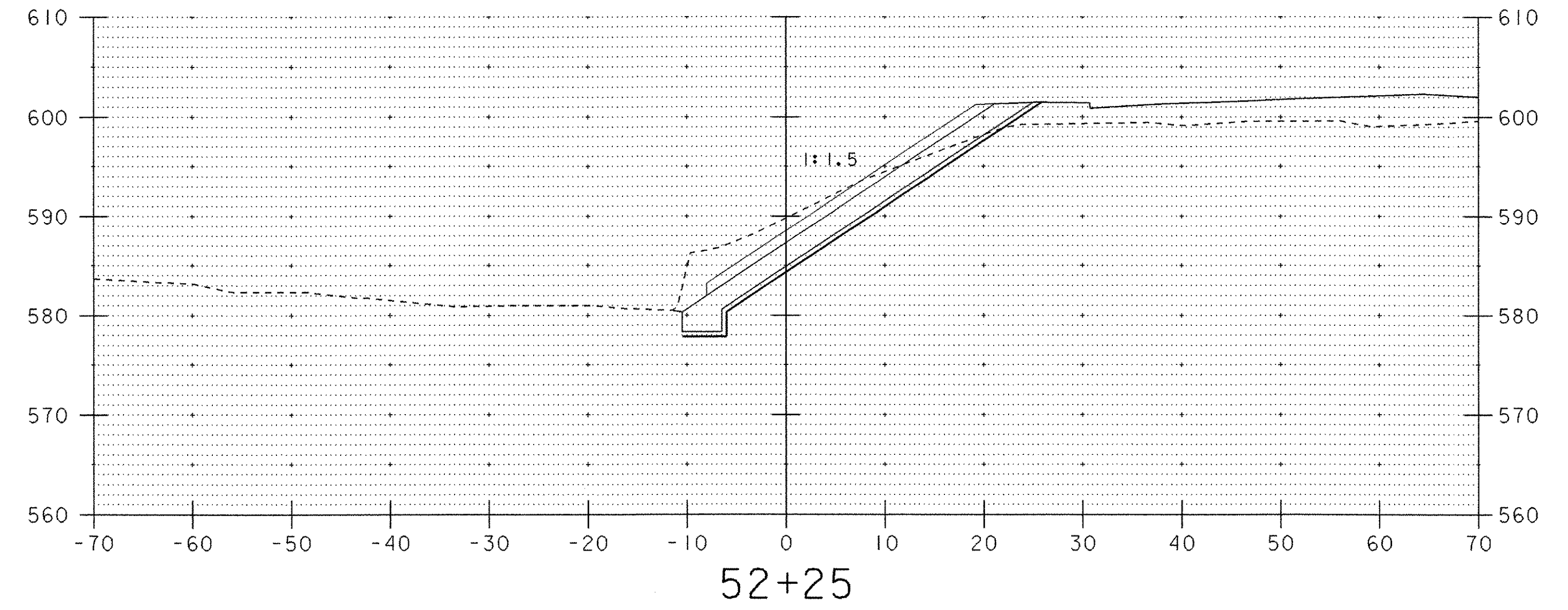
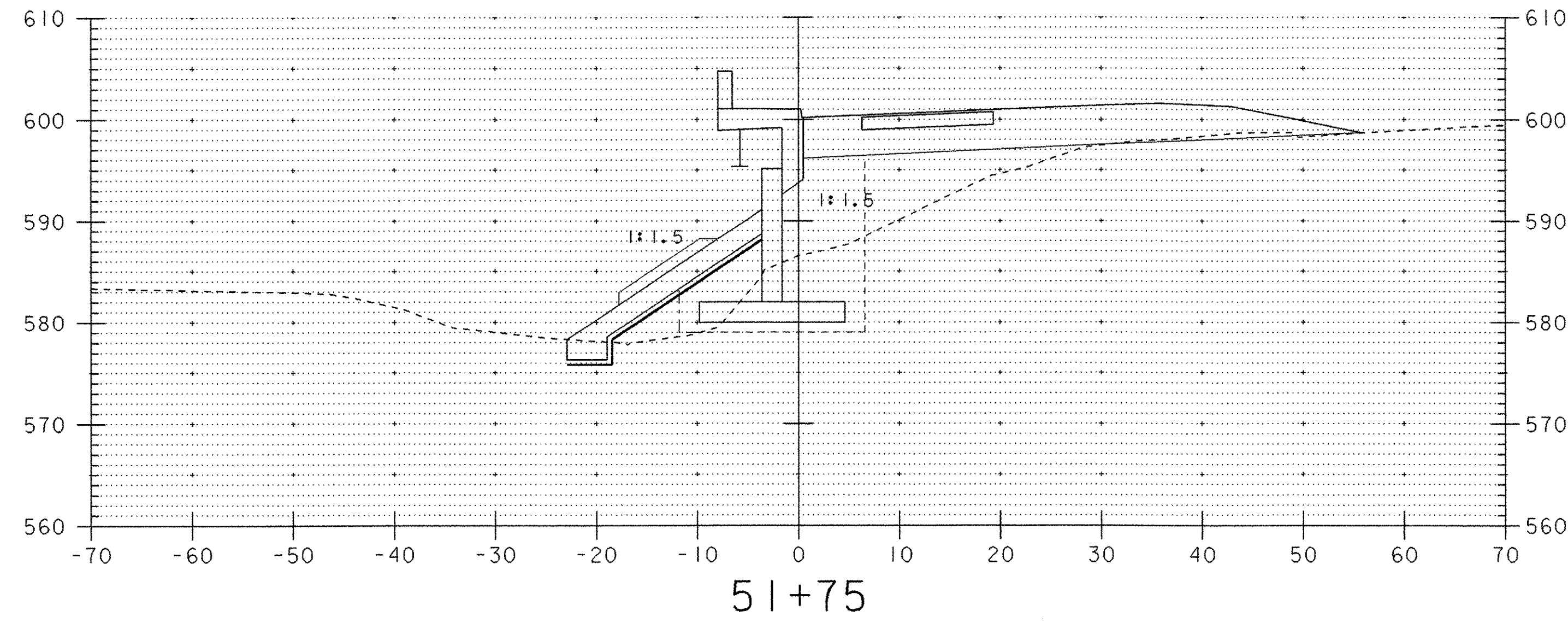


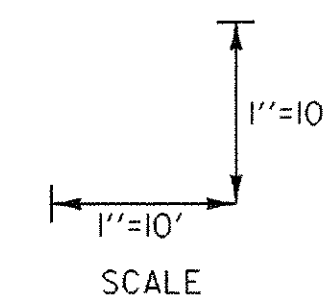
CHANNEL LINE #1

52+40 RT END
 ITEM 203.17 UNCLASSIFIED CHANNEL EXCAVATION
 ITEM 706.04 STONE FILL, TYPE II
 ITEM 649.31 GEOTEXTILE UNDER STONE FILL
 ITEM 651.40 GRUBBING MATERIAL



52+00 RT
 ITEM 706.04 STONE FILL, TYPE I

DATUM
 VERTICAL NGVD 1929
 HORIZONTAL NAD 1927



PROJECT: CHESTER	PROJECT NO.: BRF025-1 (35)
DESIGN FILE NAME: M:\154910\VA0T Chester Curv\HWY\DRAW\zfi34xs5.dgn	PLOT DATE: 28-MAY-2003
IPARM FILE NAME: zfi34cid.1	SURVEY DATE: 8/90
SURVEYED BY: SHERIDAN	DRAWN BY: LACKEY
SQUAD LEADER: PORTALUPI	SHEET: 78 OF 79
CHANNEL LINE #1 SECTIONS	