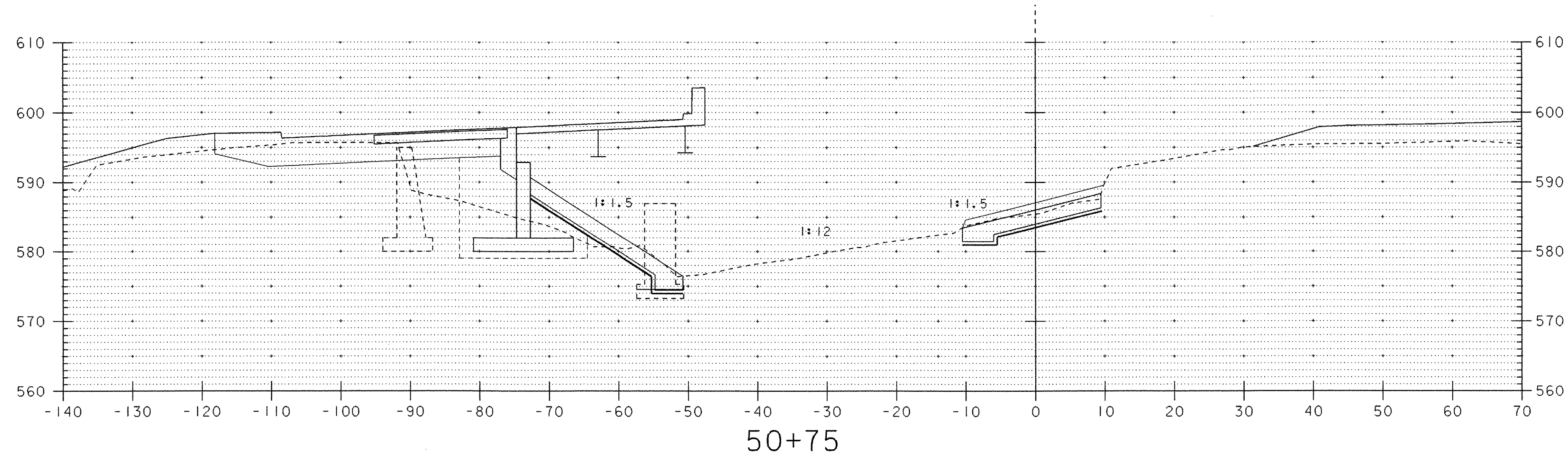
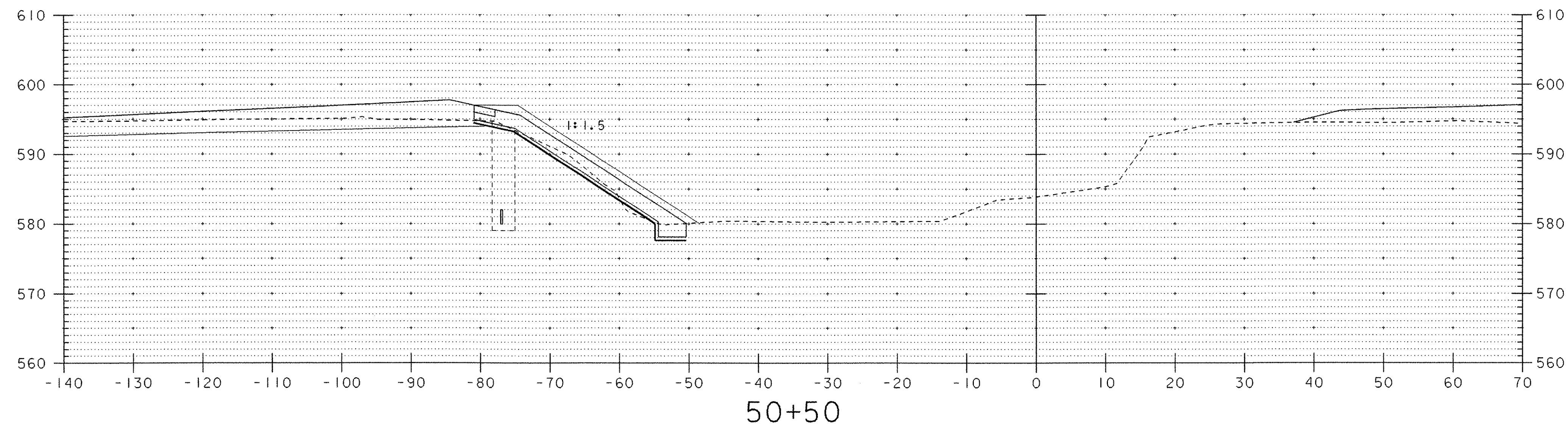


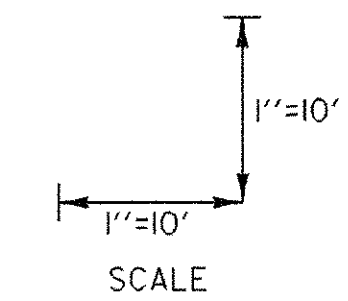
# CHANNEL LINE # 1



50+55 RT BEGIN  
 ITEM 203.17 UNCLASSIFIED CHANNEL EXCAVATION  
 ITEM 706.04 STONE FILL, TYPE II  
 ITEM 649.31 GEOTEXTILE UNDER STONE FILL  
 ITEM 651.40 GRUBBING MATERIAL



50+50 LT  
 ITEM 706.40 STONE FILL, TYPE I  
 50+27 LT BEGIN  
 ITEM 203.17 UNCLASSIFIED CHANNEL EXCAVATION  
 ITEM 706.04 STONE FILL, TYPE II  
 ITEM 649.31 GEOTEXTILE UNDER STONE FILL  
 ITEM 651.40 GRUBBING MATERIAL



<b>DATUM</b>	
VERTICAL	NGVD 1929
HORIZONTAL	NAD 1927

PROJECT:	CHESTER	PROJECT NO.:	BRF025-1(35)
DESIGN FILE NAME:	M:\1549101 VAOT Chester Curv\HWY\DRAW\zfl34xs5.dgn	PLOT DATE:	28-MAY-2003
IPARM FILE NAME:	zfl34clb.1	SURVEY DATE:	8/90
SURVEYED BY:	SHERIDAN	DRAWN BY:	LACKEY
SQUAD LEADER:	PORTALUPI	SHEET:	76 OF 79
CHANNEL LINE #1 SECTIONS			