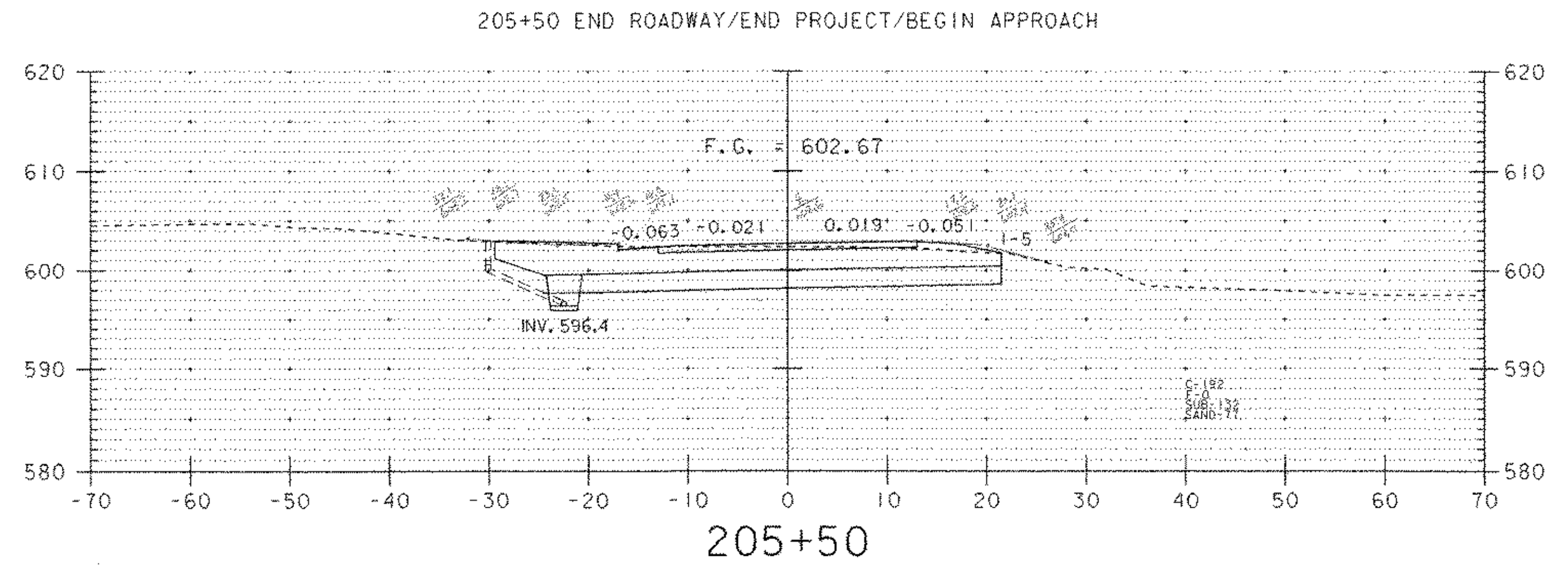
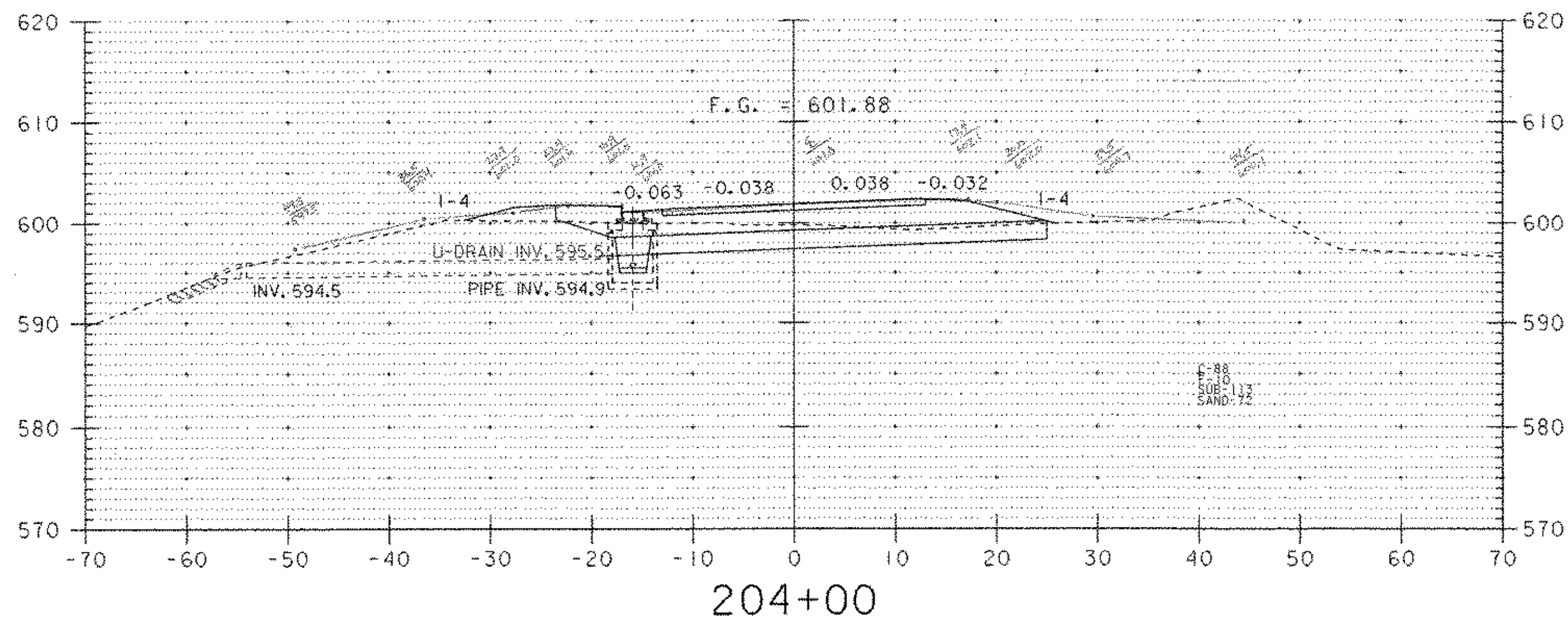
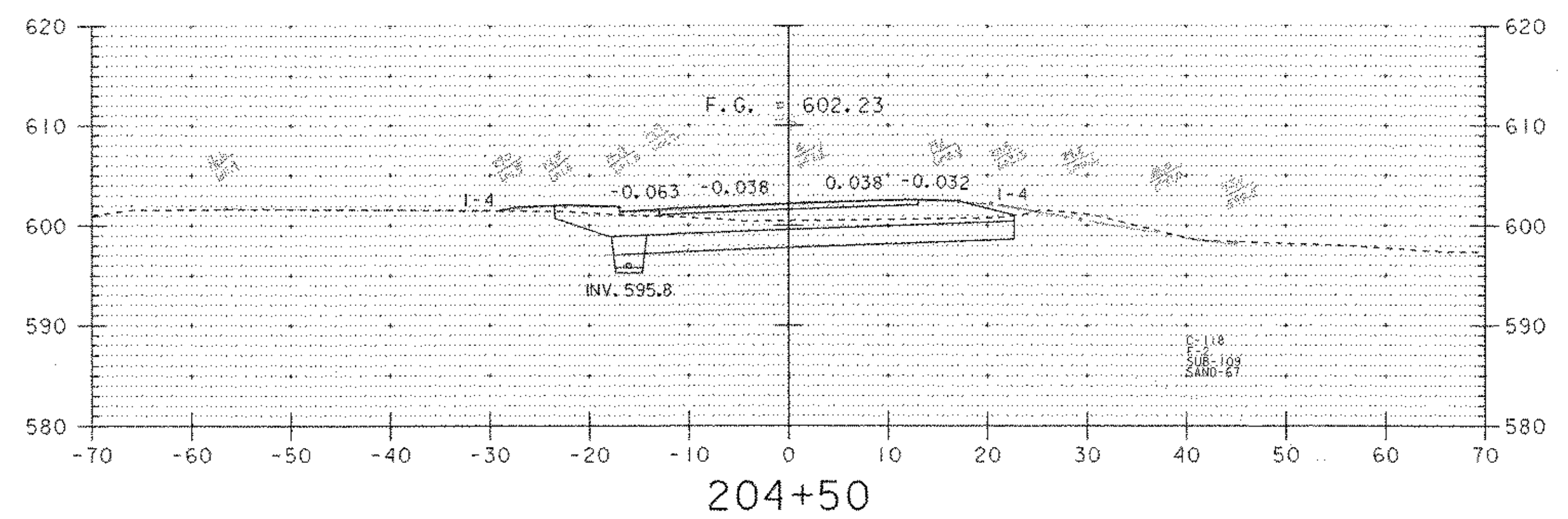
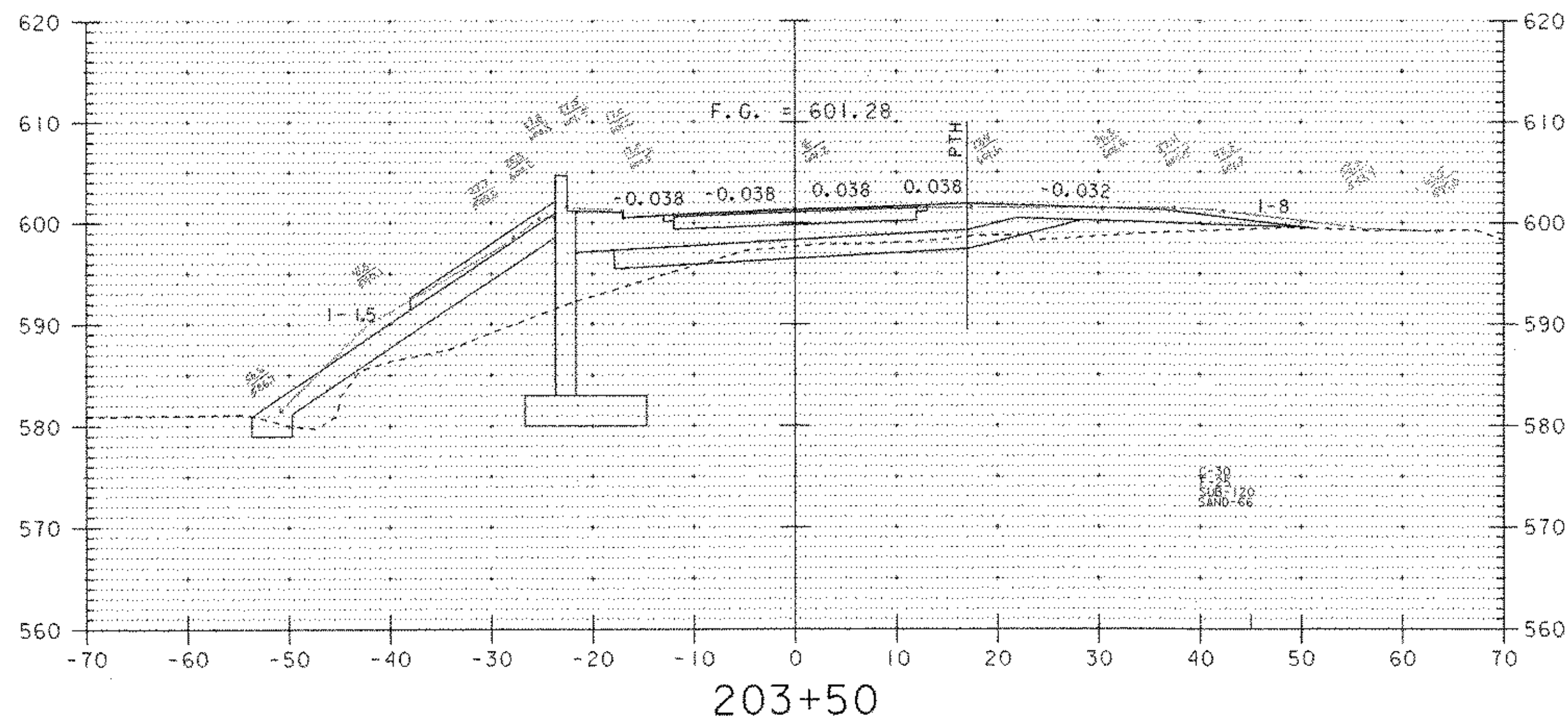
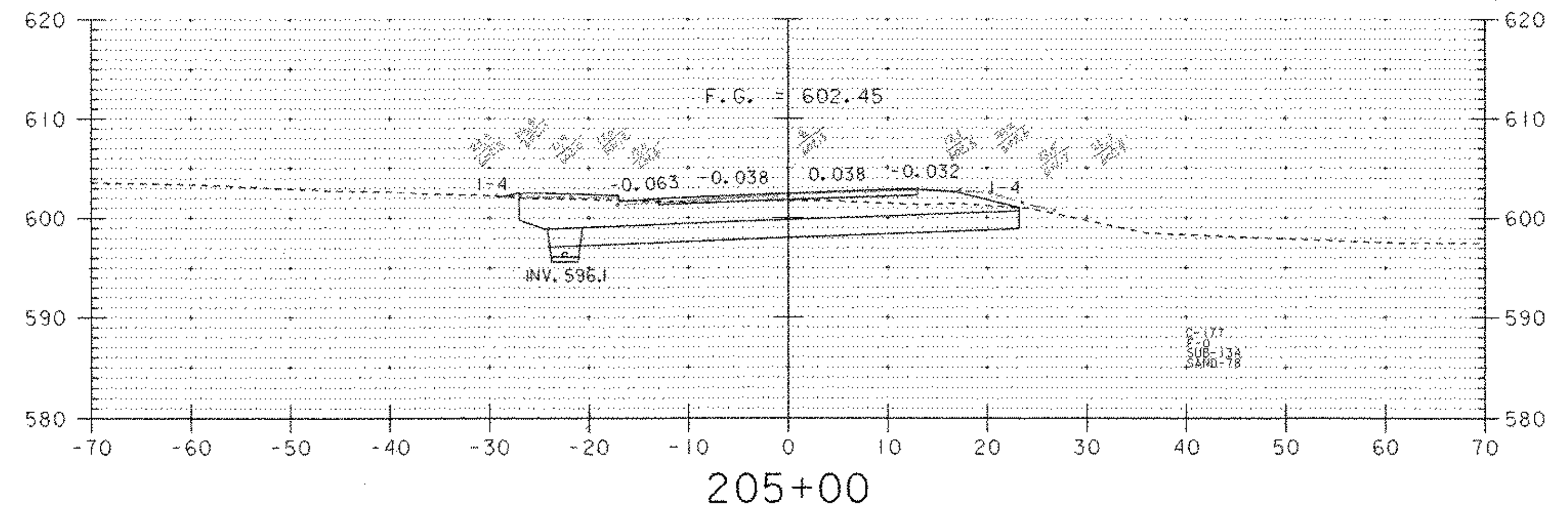


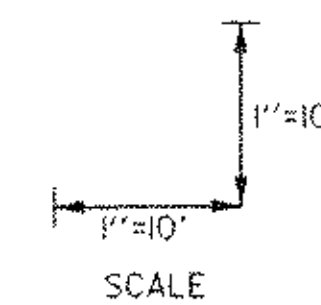
# VT 103



203+75 LT NEW DI (OUTLET U/D RUN INTO DI)



**DATUM**  
 VERTICAL NGVD 1929  
 HORIZONTAL NAD 1927



PROJECT: CHESTER	PROJECT NO.: BRF 025-1 (35)
DESIGN FILE NAME: M:\1549101\VAOT Chester Curv\HWY\DRAW\z\134xs5.dgn	PLOT DATE: 26-MAY-2003
IPARM FILE NAME: z\134xs3.l	SURVEY DATE: 8/90
SURVEYED BY: SHERIDAN	DRAWN BY: L. BULLOCK
SQUAD LEADER: PORTALUPI	SHEET: 72 OF 79
VT 103 SECTIONS	