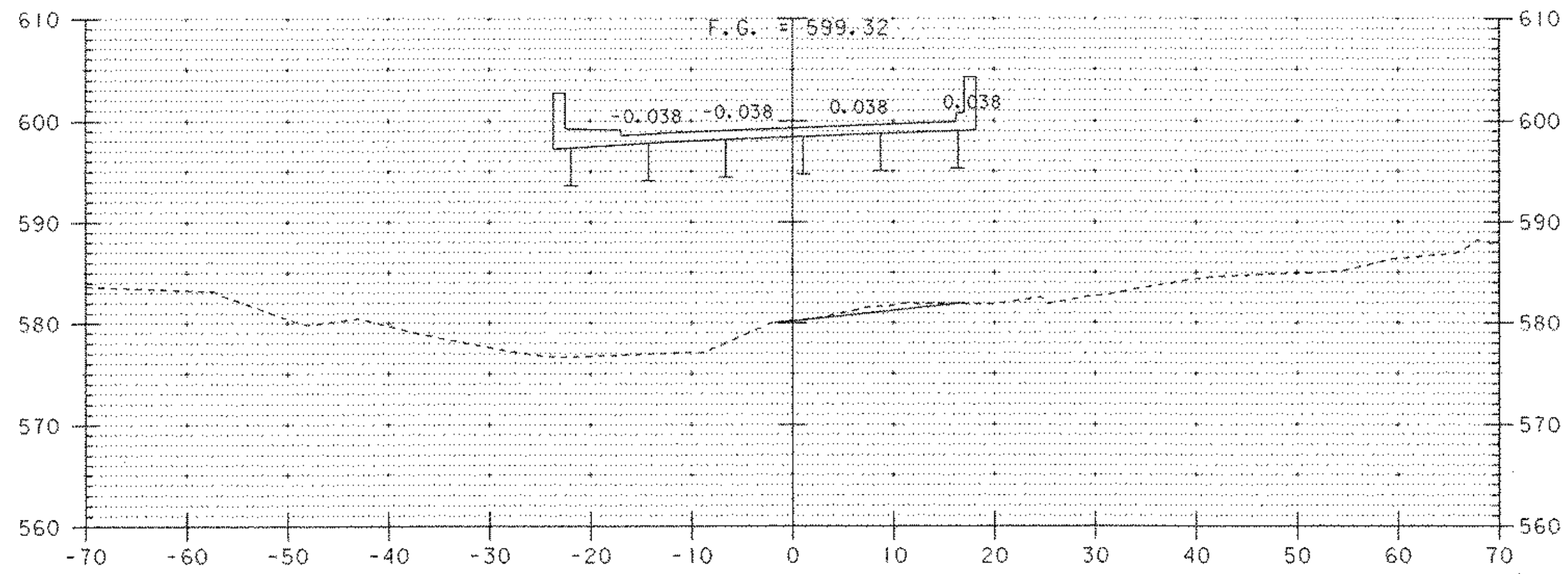
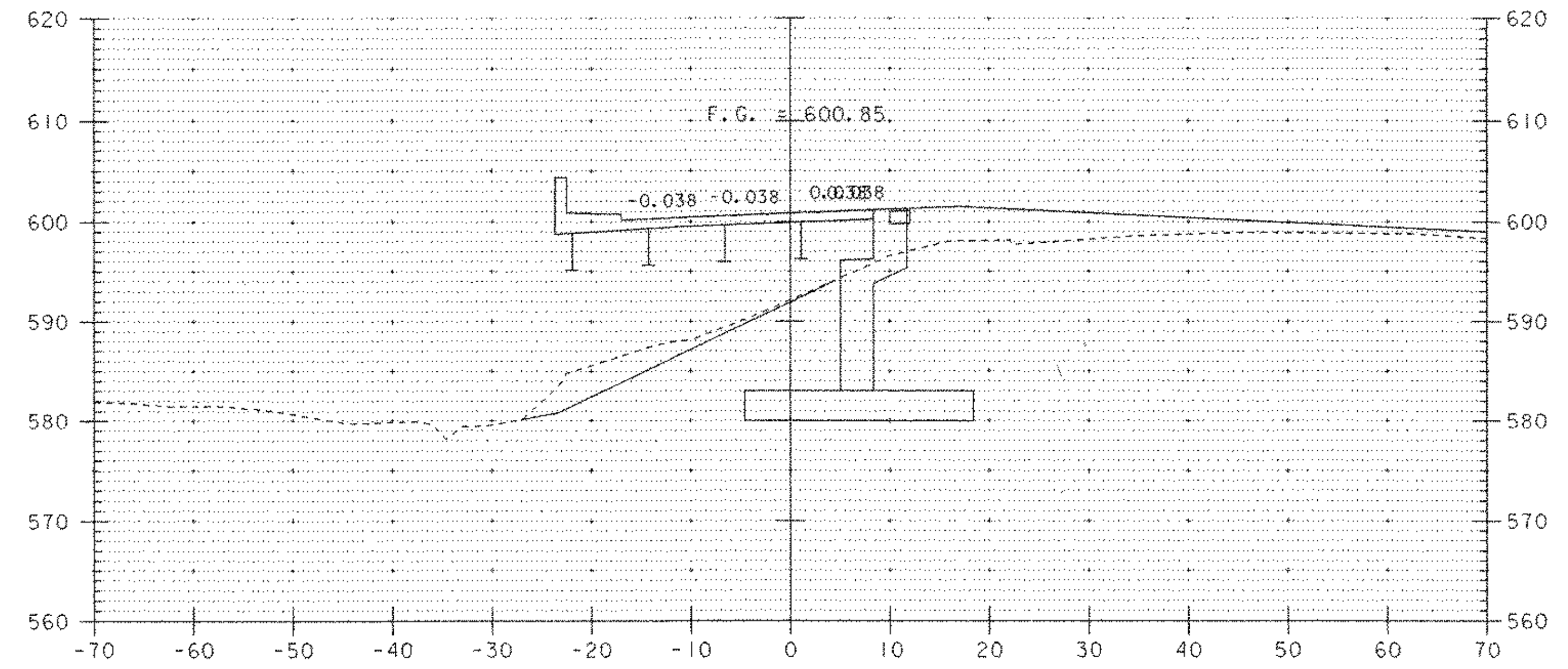


VT 103

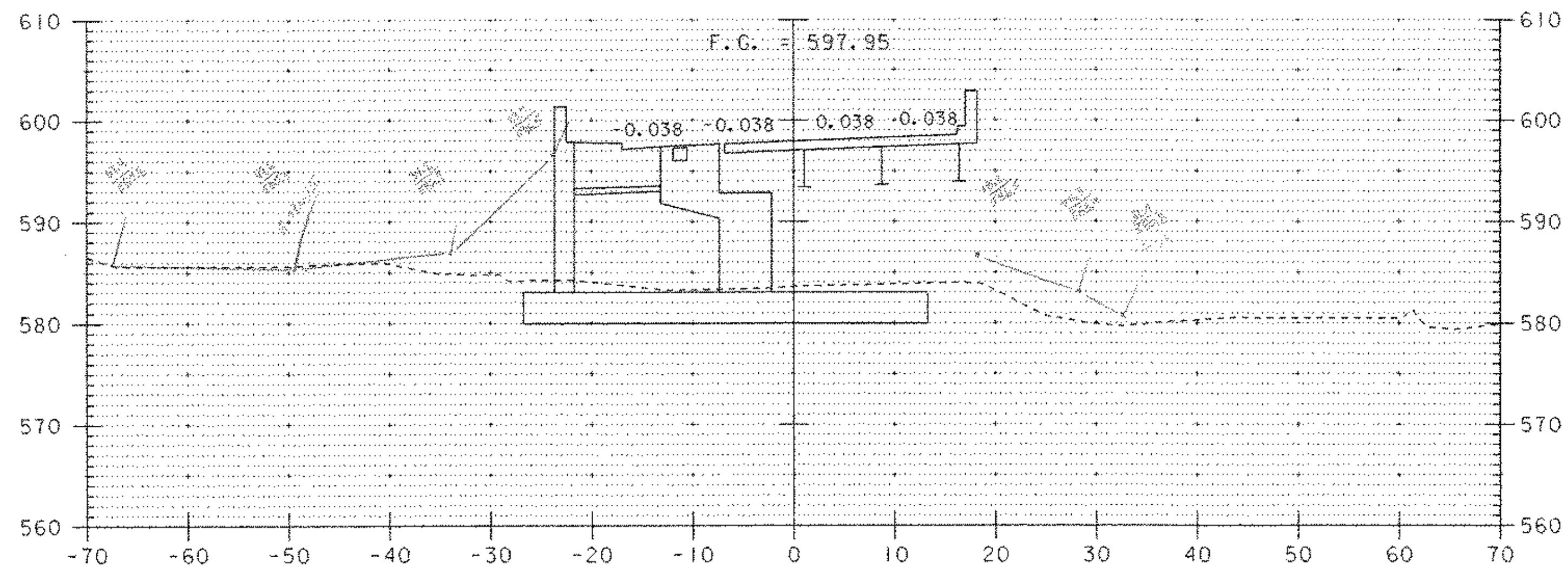


202+50

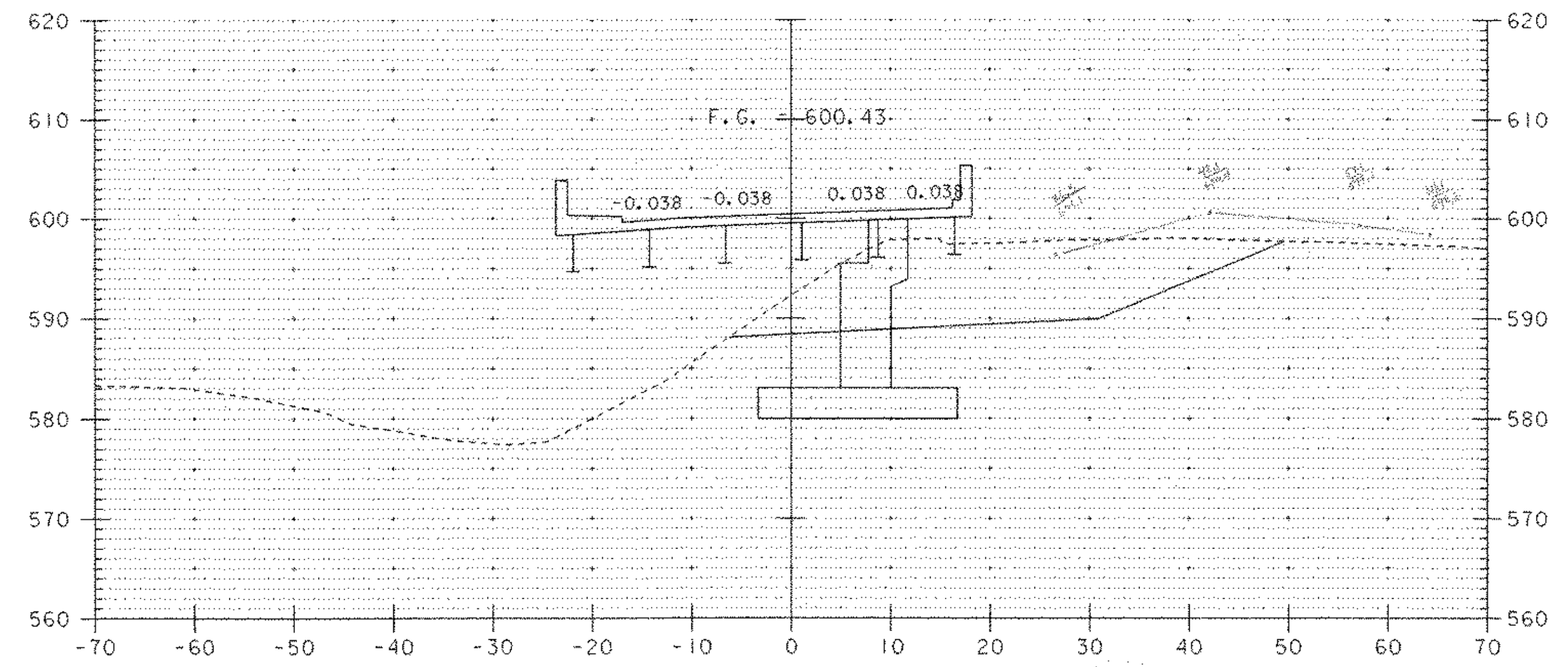


203+23

203+05.87 END BRIDGE/BEGIN ROADWAY

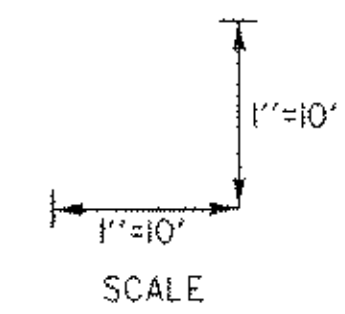


202+00



203+00

DATUM	
VERTICAL	NGVD 1929
HORIZONTAL	NAD 1927



PROJECT:	CHESTER	PROJECT NO.:	BRF 025-1 (35)
DESIGN FILE NAME:	M:\154910\VA01 Chester Curv\HWY\DRAW\zfi34xs5.dgn	PLOT DATE:	28-MAY-2003
IPARM FILE NAME:	zfi34xs2.i	SURVEY DATE:	8/90
SURVEYED BY:	SHERIDAN	DRAWN BY:	L. BULLOCK
SQUAD LEADER:	PORTALUPI		
VT 103 SECTIONS		SHEET:	71 OF 79