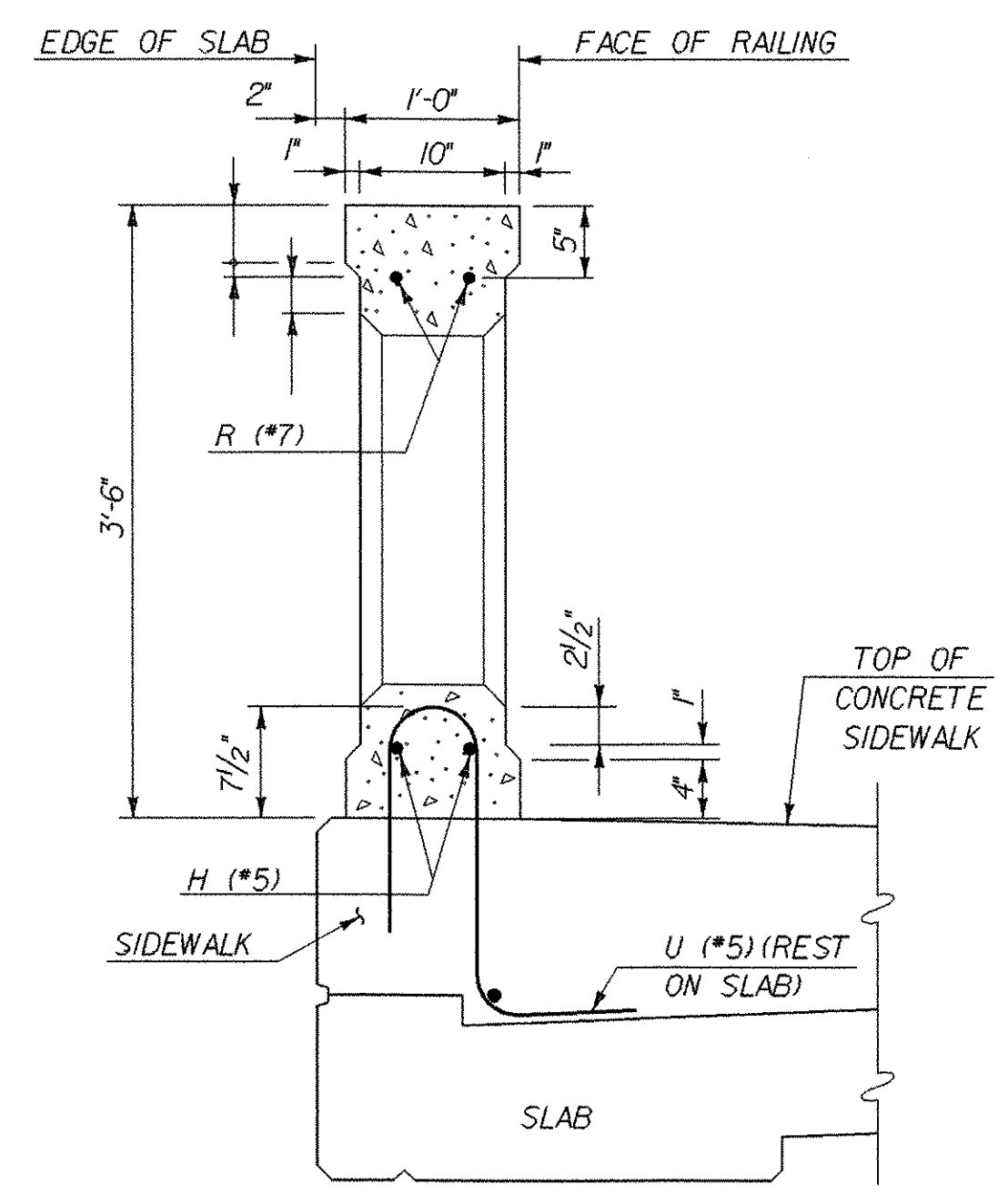
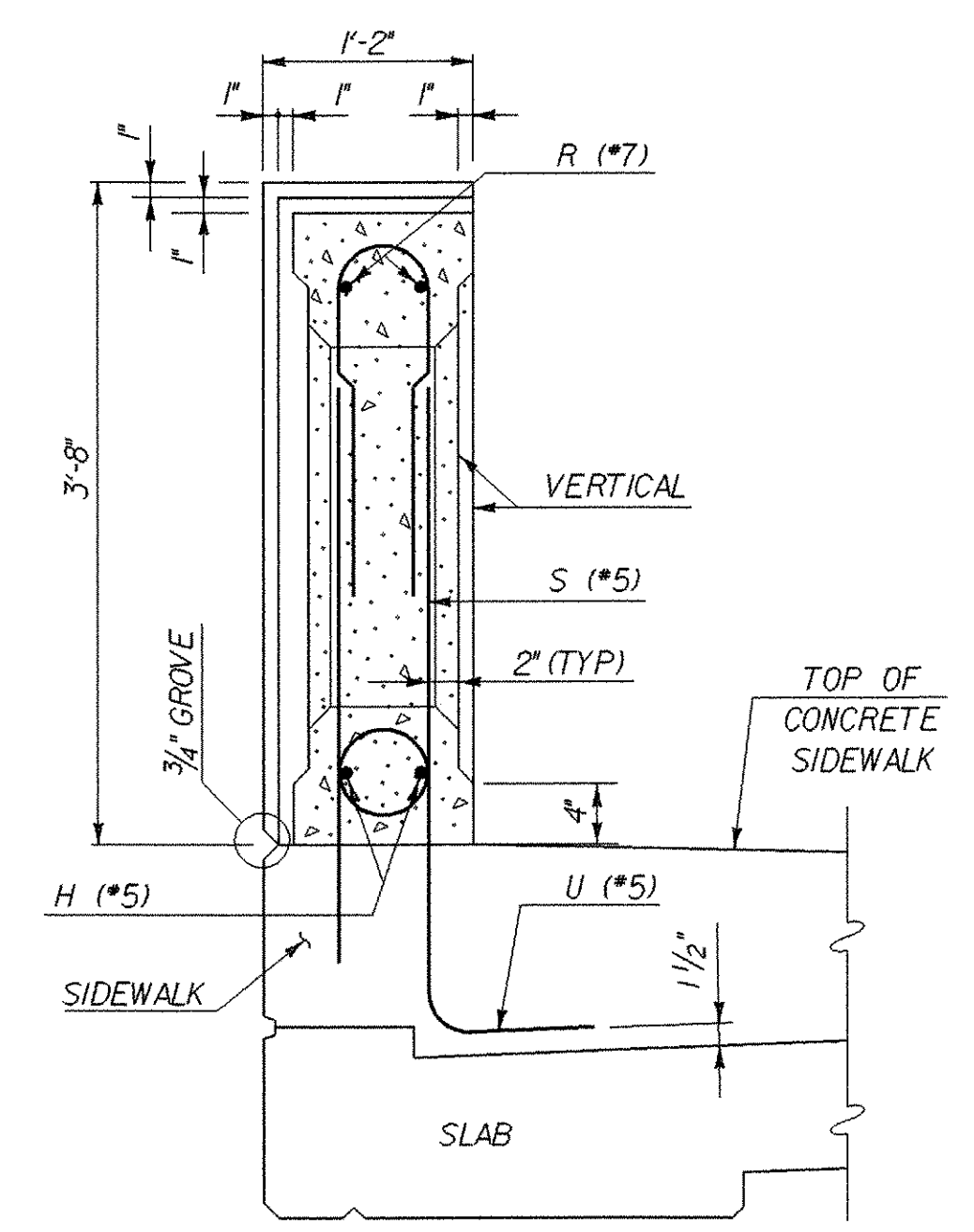


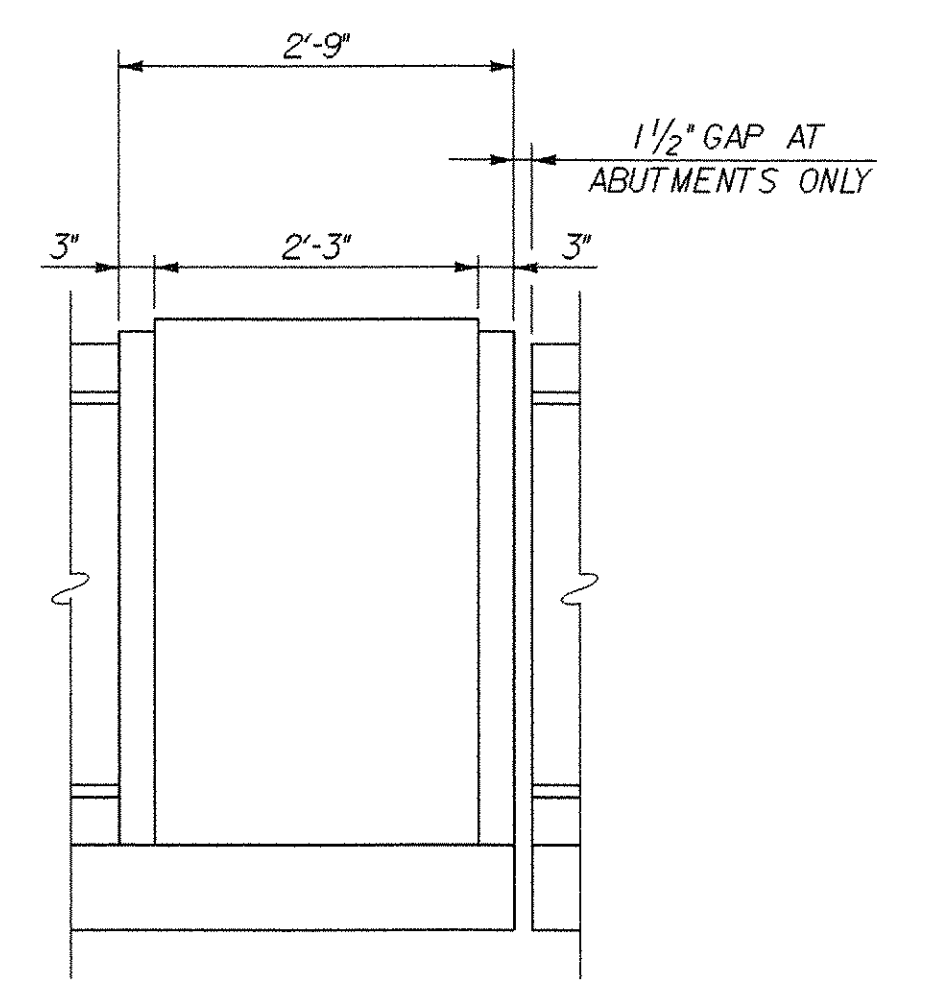
SECTION B-B
SCALE: 1" = 1'-0"
(SHOWING MBGF CONNECTION)



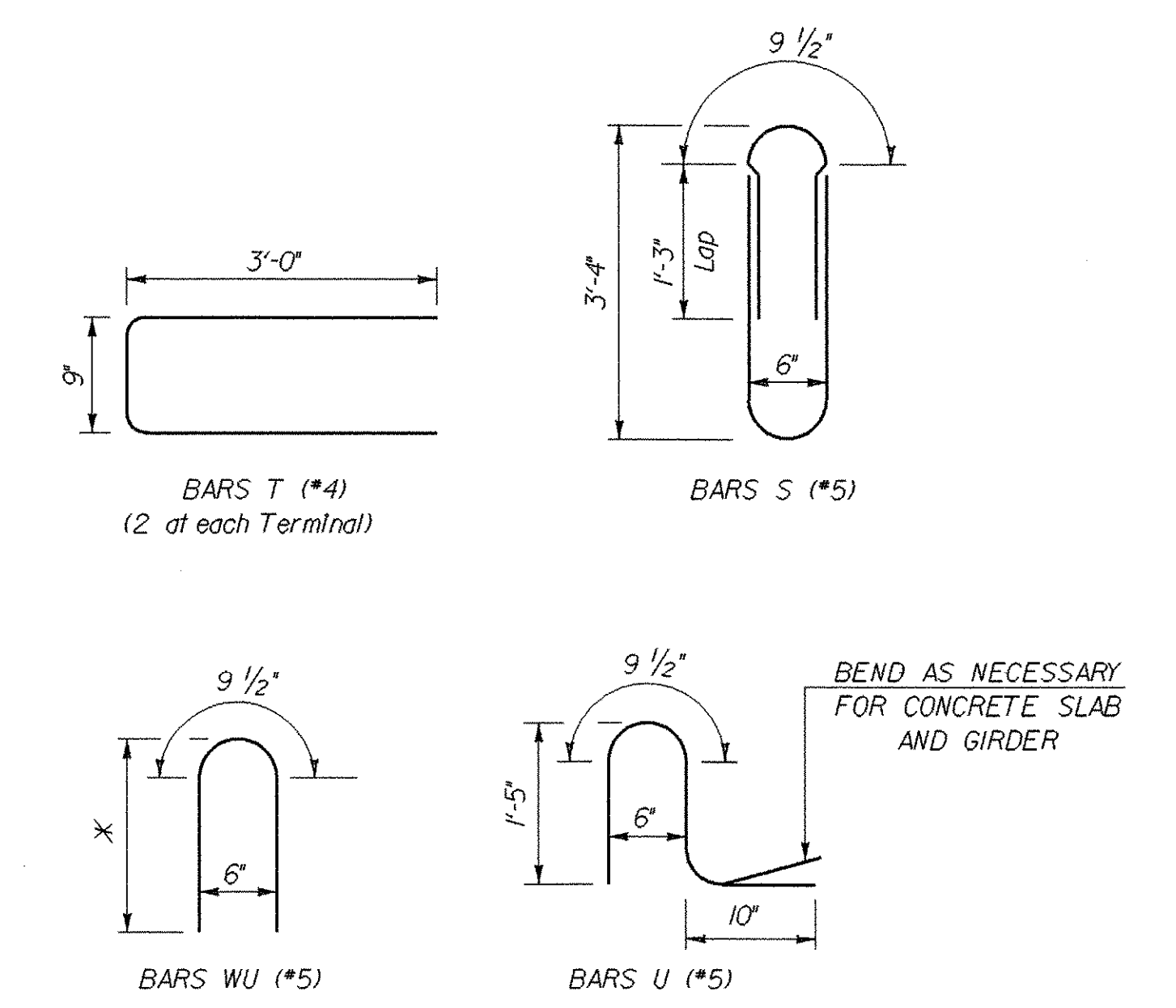
SECTION C-C
SCALE: 1" = 1'-0"



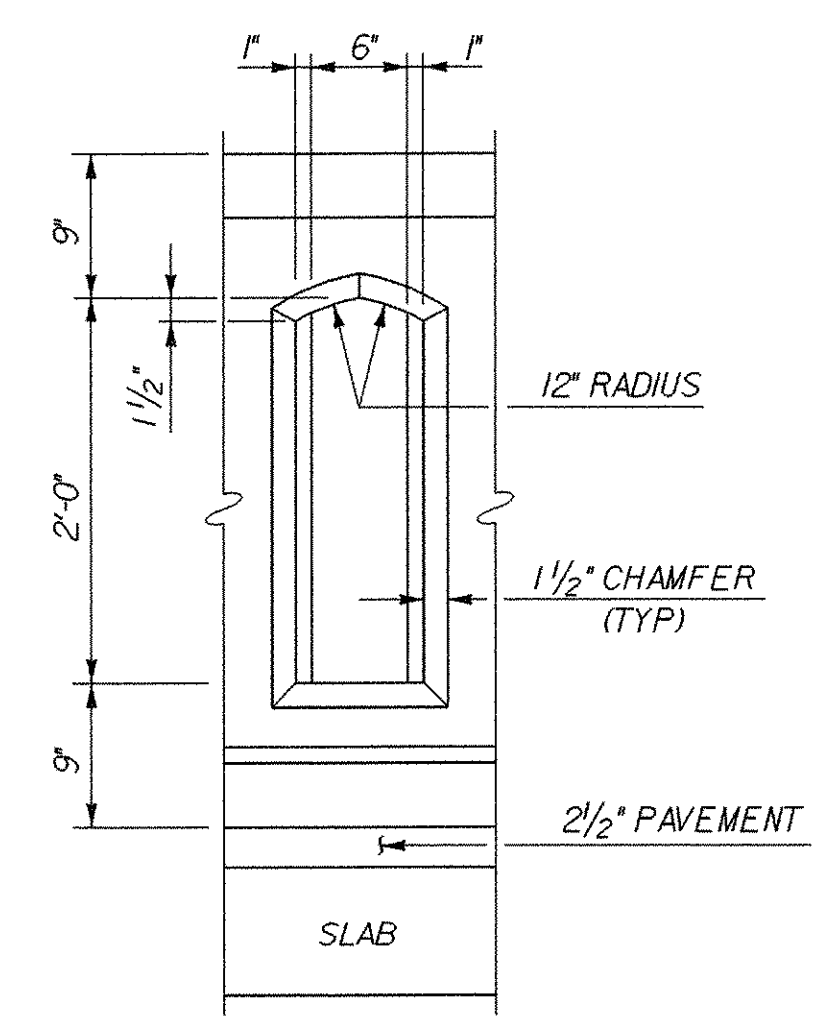
SECTION D-D
SCALE: 1" = 1'-0"
(SHOWING PILASTER)



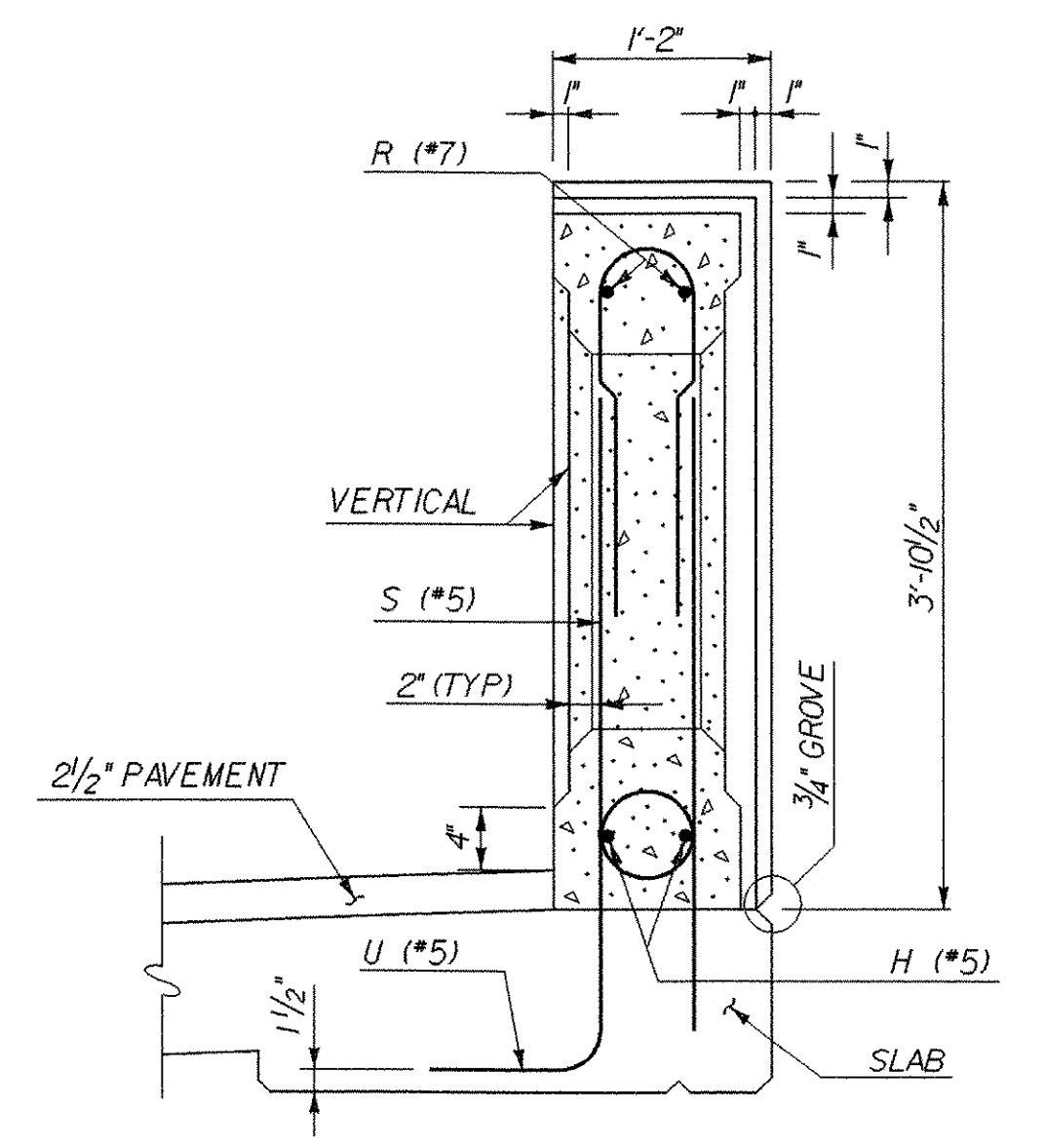
EXTERIOR PILASTER ELEVATION
SCALE: 3/4" = 1'-0"
(LOCATED AT ABUTMENTS AND 1/3 POINTS ON DECK)



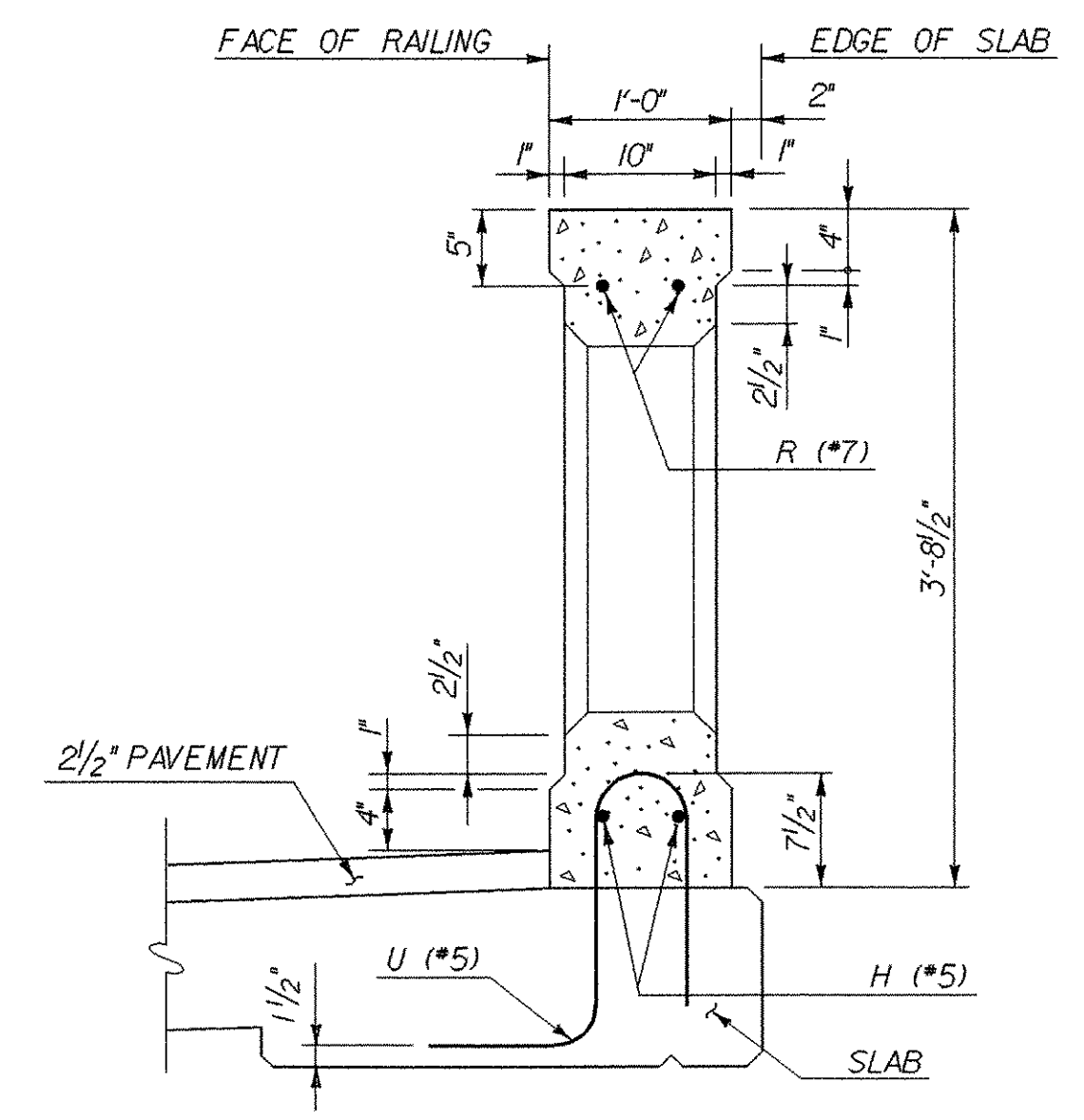
REINFORCING BAR DETAILS
NOT TO SCALE
(X 1'-10" ON DECK, 2'-7" ON SIDEWALK)



WINDOW DETAIL
SCALE: 1" = 1'-0"



SECTION E-E
SCALE: 1" = 1'-0"
(SHOWING PILASTER)



SECTION F-F
SCALE: 1" = 1'-0"



STATE OF VERMONT AGENCY OF TRANSPORTATION	
Town Of CHESTER	Bridge No. 12
Highway No. VT 103	Log Sta. Surv. Sta.
VT 103 OVER THE WILLIAMS RIVER	
CAST-IN-PLACE CONCRETE BRIDGE RAILING	
Designed By L.WIXSON	Drawn By P.DUSTIN
Checked By T. GRANT	Date 10/00
Bridge Design Supervisor M. ZYDEL	
PROJECT CHESTER	PROJECT NO. BRF 025-1(35)
I.G.C:\work\cadd\111ngcab\ref\87bl34\Structures\zbi34c12.dgn zbi34c12j	
Bridge Sheet No. BR125	Sheet 69 of 79