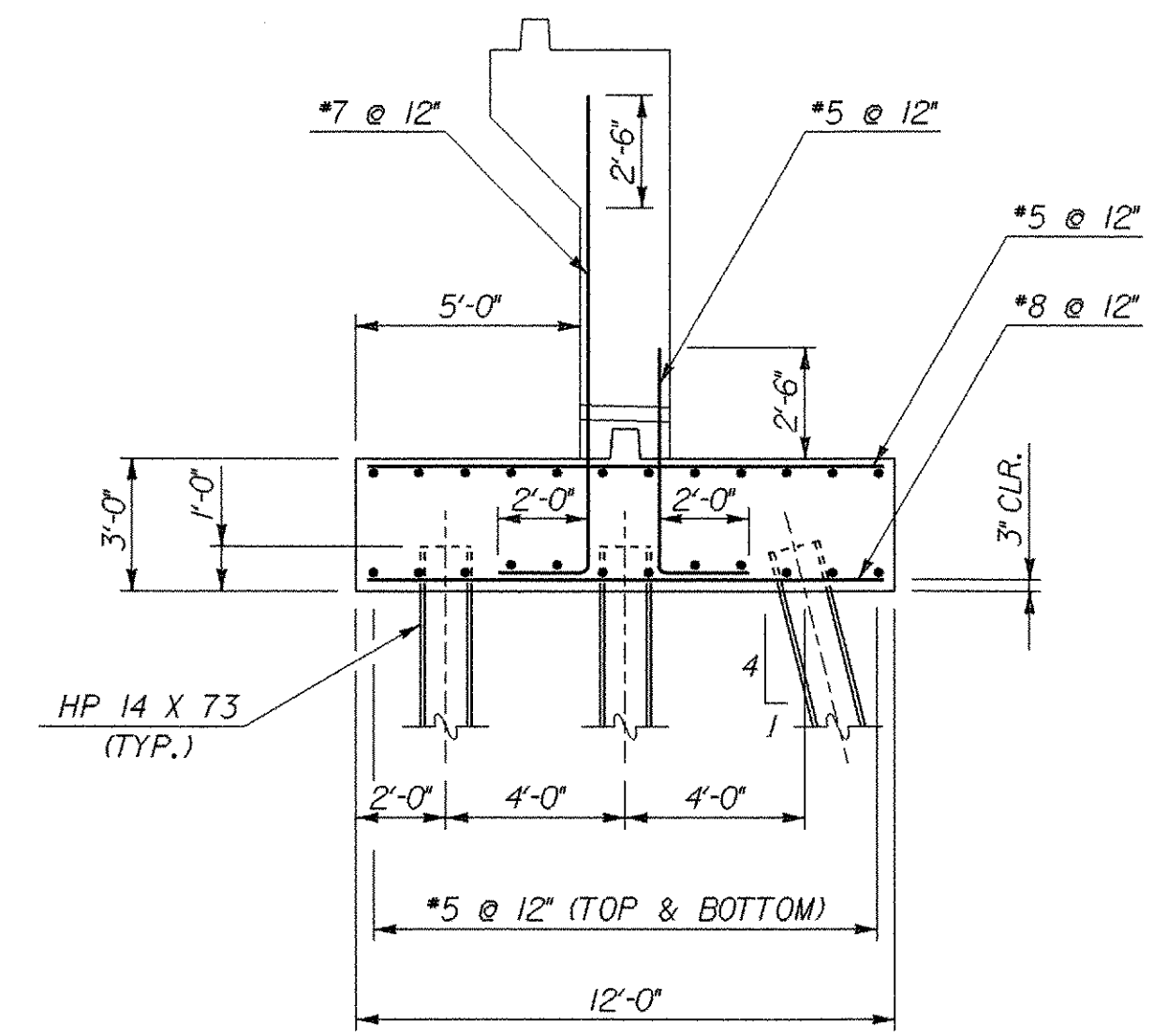
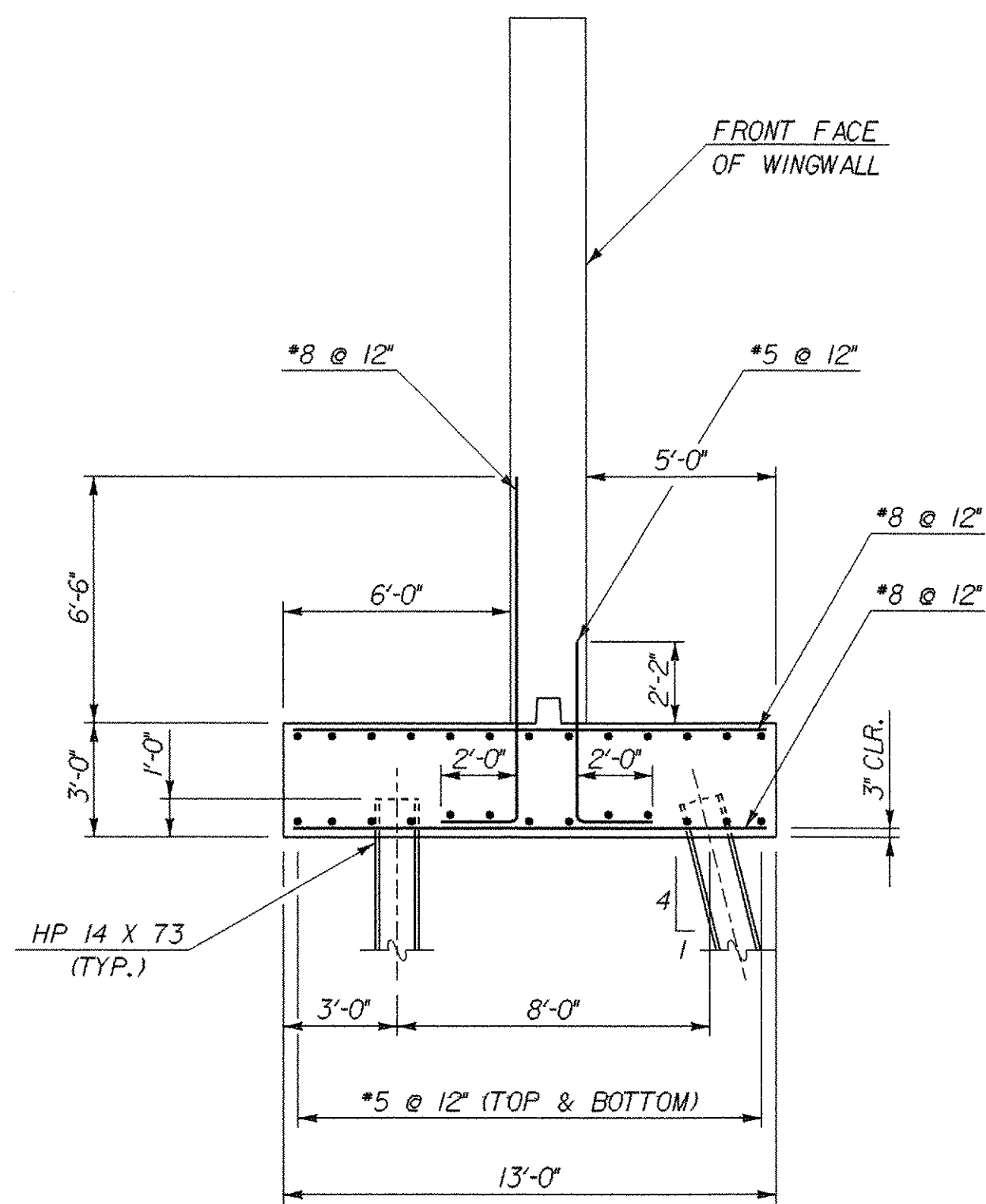


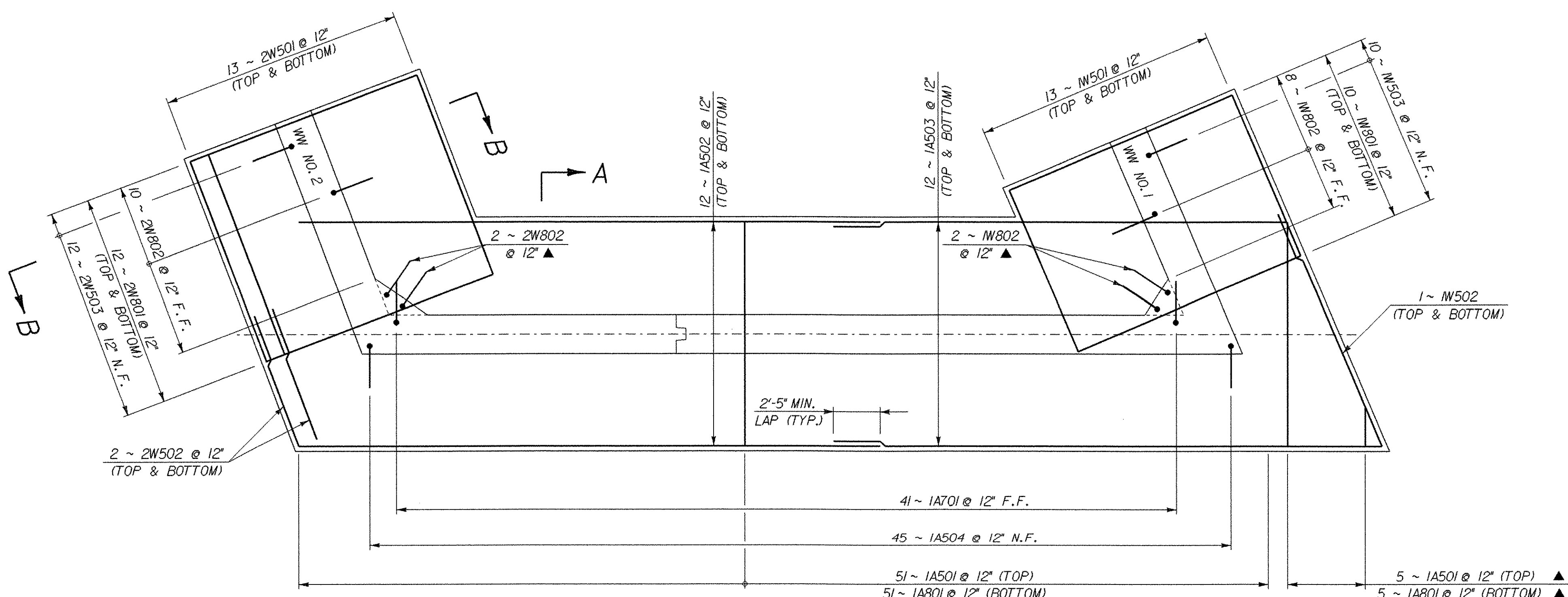
**FOOTING NO. 1 MASONRY**  
SCALE: 1/4" = 1'-0"



**SECTION A-A**  
SCALE: 1/4" = 1'-0"



**SECTION B-B**  
SCALE: 1/4" = 1'-0"



**FOOTING NO. 1 REINFORCING**  
SCALE: 1/4" = 1'-0"

**NOTES**

- N.F. • NEAR FACE
- F.F. • FAR FACE
- E.F. • EACH FACE
- ▲ • CUT TO FIT IN FIELD



<b>STATE OF VERMONT AGENCY OF TRANSPORTATION</b>	
Town Of <b>CHESTER</b>	Bridge No. <b>12</b>
Highway No. <b>VT 103</b>	Log Sta. _____ Surv. Sta. _____
<b>VT 103 OVER THE WILLIAMS RIVER FOOTING NO. 1 DETAILS</b>	
Designed By <b>L.WIXSON</b>	Drawn By <b>P.DUSTIN</b>
Checked By <b>T. GRANT</b>	Date <b>10/00</b> Bridge Design Supervisor <b>M. ZYDEL</b>
PROJECT <b>CHESTER</b>	PROJECT NO. <b>BRF 025-1(35)</b>
I.G.C. Info. <b>M:\87134\Structures\zbl34cf1.dgn</b>	zbl34cf1j
Bridge Sheet No. <b>BR121</b>	Sheet <b>65</b> of <b>79</b>
PLOTTED 28-MAY-2003	