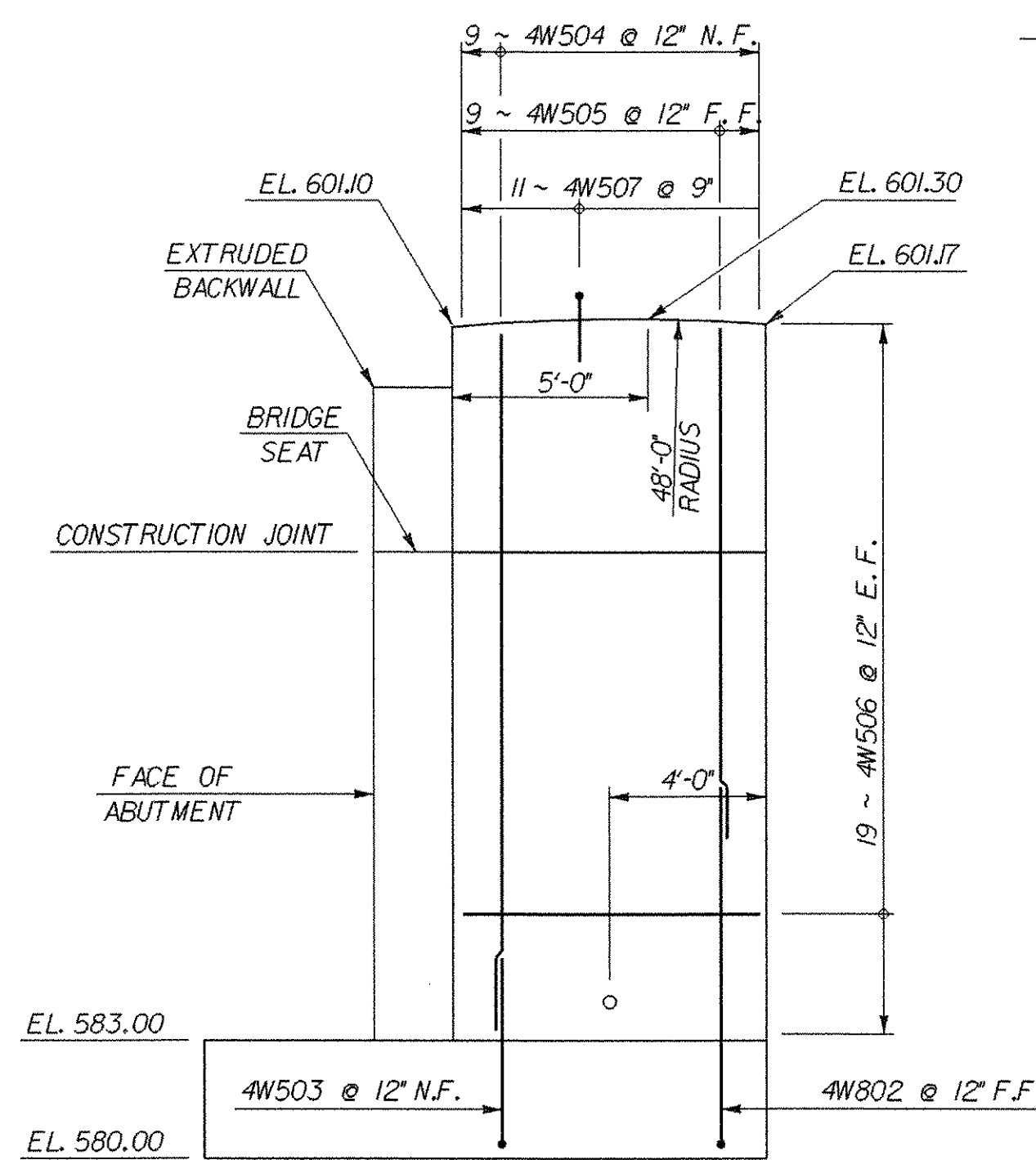
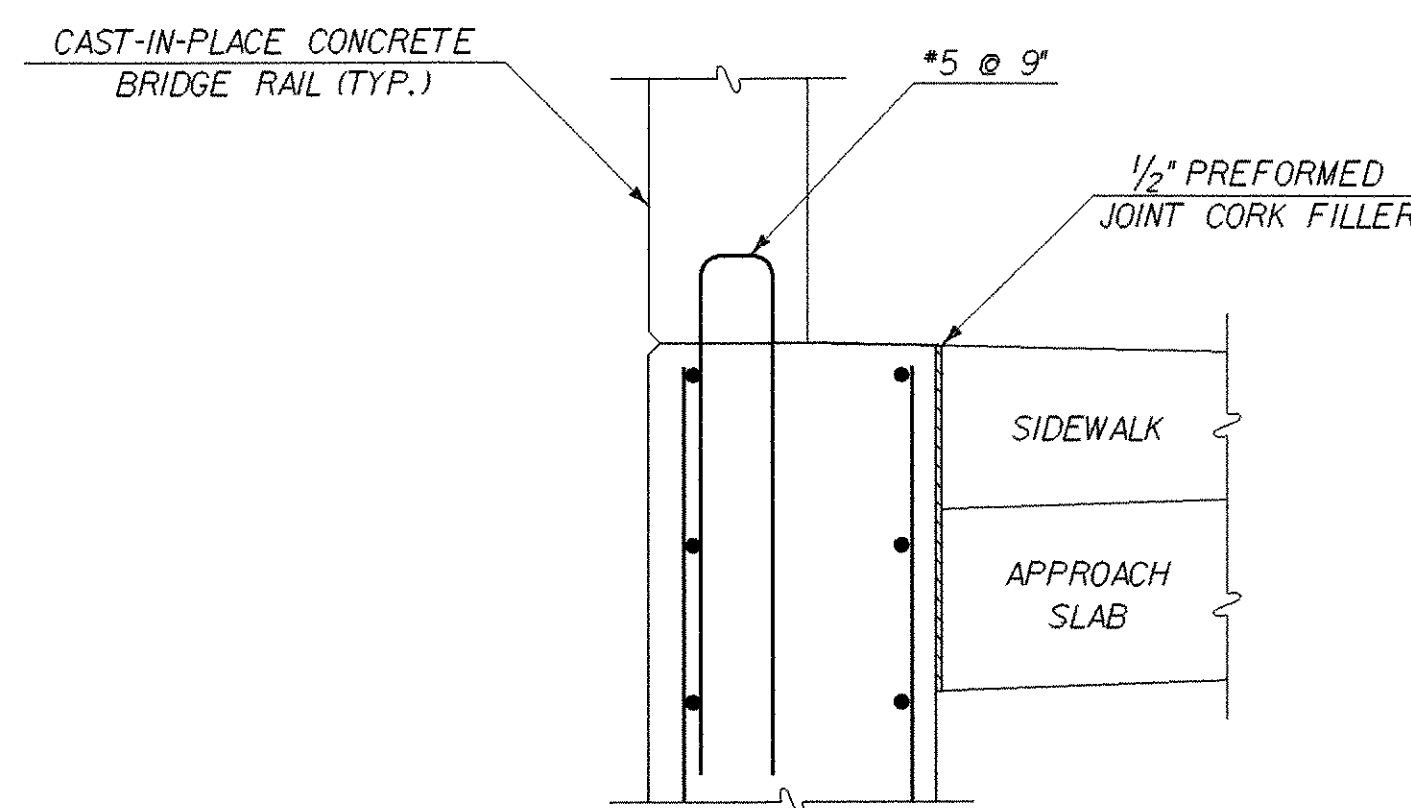


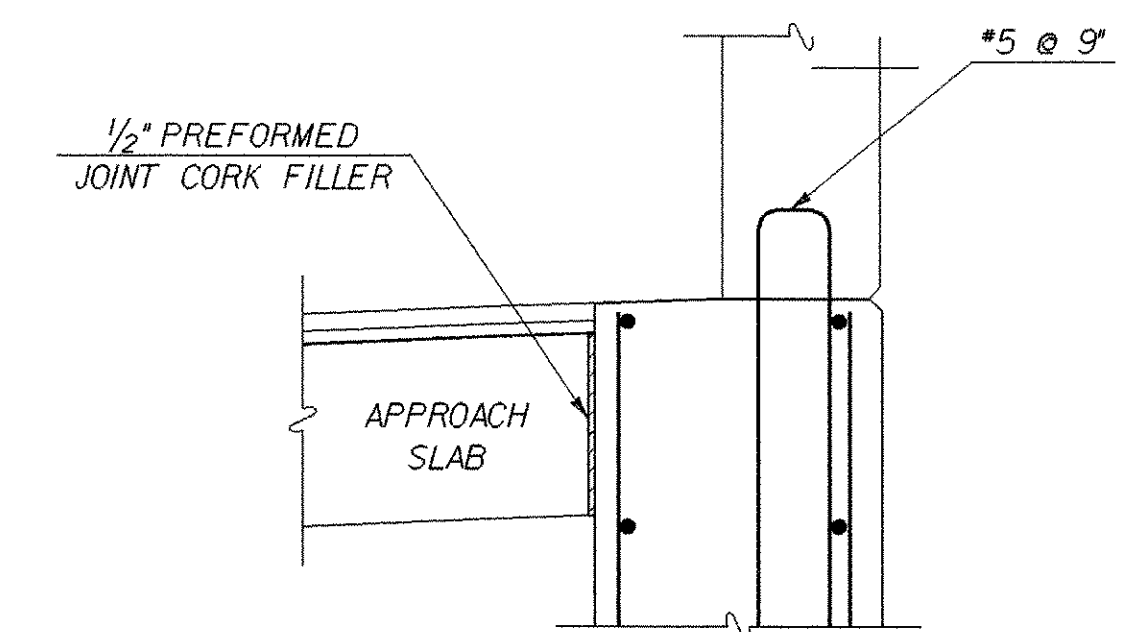
WINGWALL NO. 1 ELEVATION
SCALE: 1/4" = 1'-0"



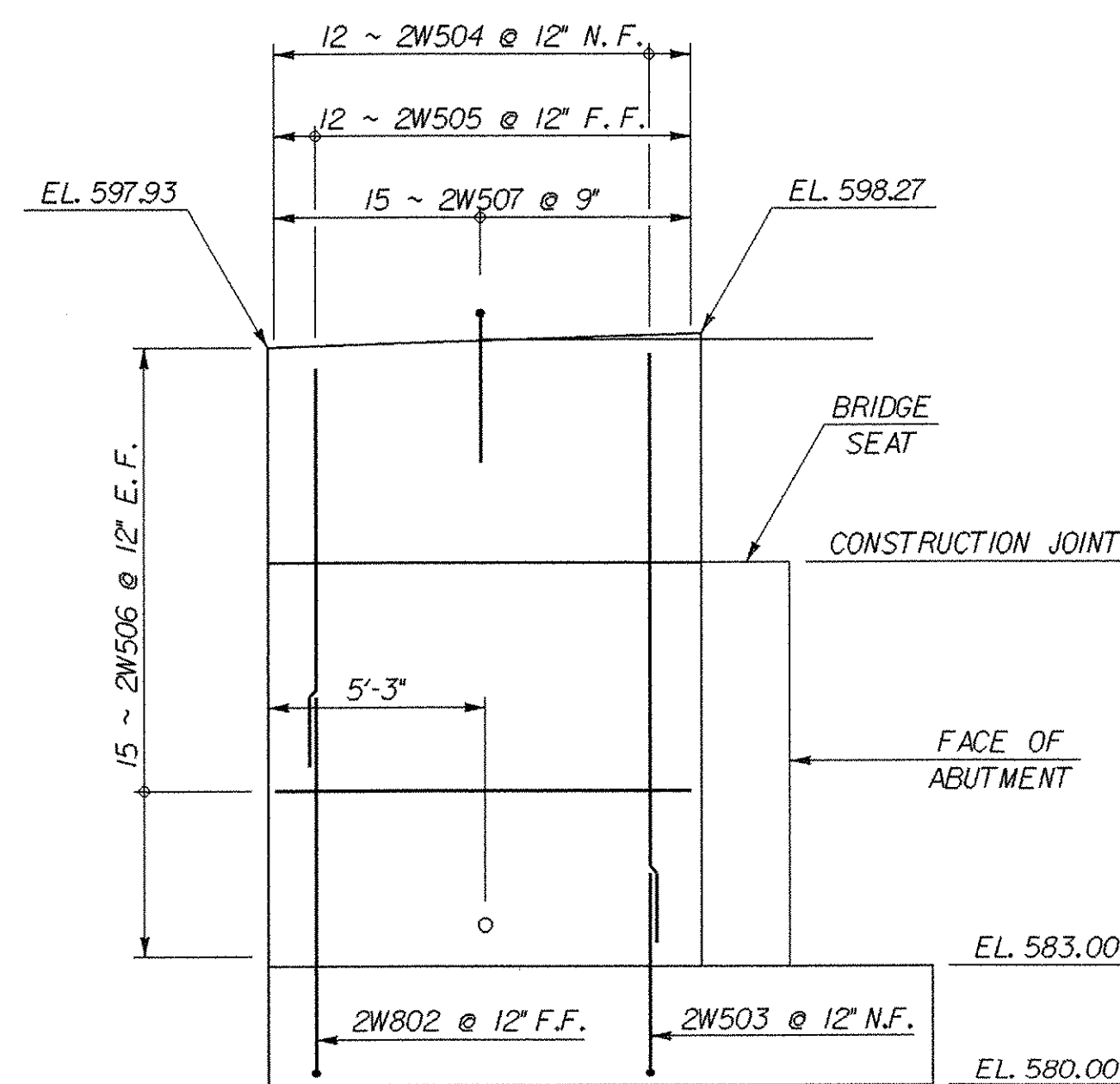
WINGWALL NO. 4 ELEVATION
SCALE: 1/4" = 1'-0"



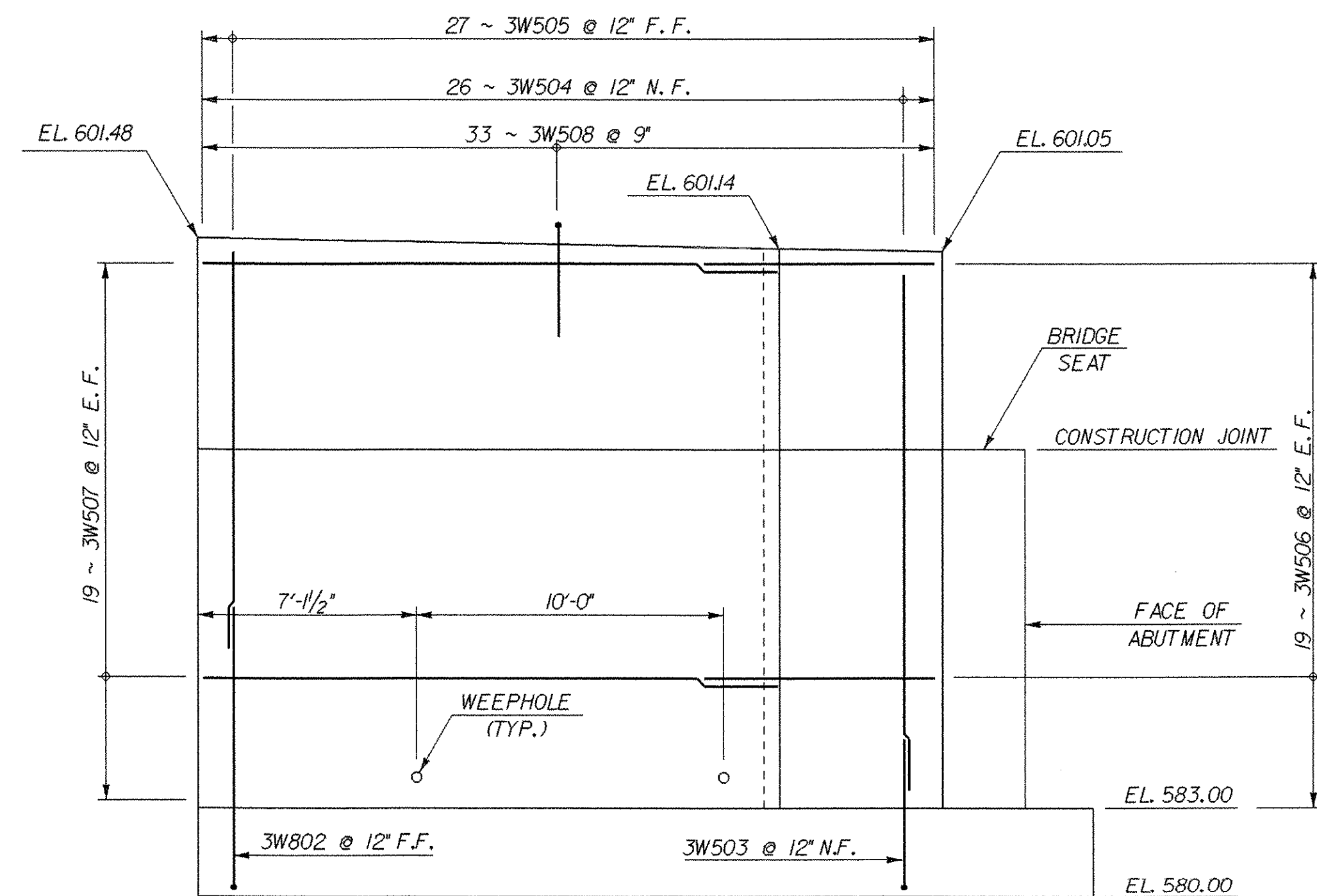
SIDEWALK AND WINGWALL TYPICAL SECTION
SCALE: 3/4" = 1'-0"



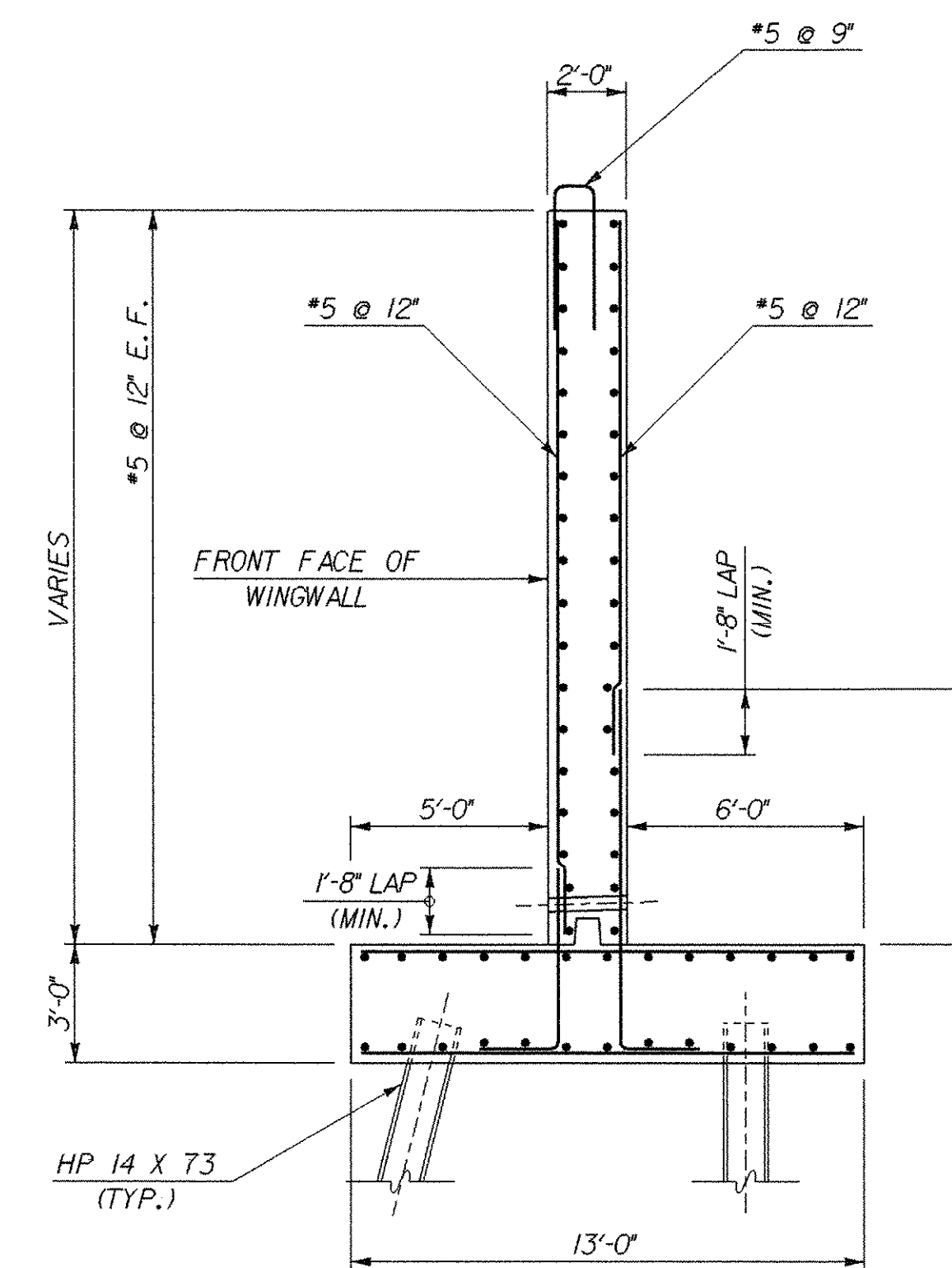
RAIL AND WINGWALL TYPICAL SECTION
SCALE: 3/4" = 1'-0"



WINGWALL NO. 2 ELEVATION
SCALE: 1/4" = 1'-0"



WINGWALL NO. 3 ELEVATION
SCALE: 1/4" = 1'-0"



WINGWALL TYPICAL SECTION
SCALE: 1/4" = 1'-0"

NOTES

- N.F. = NEAR FACE
- F.F. = FAR FACE
- E.F. = EACH FACE
- ▲ = CUT TO FIT IN FIELD

MJ
McFARLAND - JOHNSON, INC.

**STATE OF VERMONT
AGENCY OF TRANSPORTATION**

Town Of **CHESTER** Bridge No. **12**
Highway No. **VT 103** Log Sta. _____
Surv. Sta. _____
VT 103 OVER THE WILLIAMS RIVER

WINGWALL DETAILS

Designed By **L.WIXSON** Drawn By **P.DUSTIN**
Checked By **T. GRANT** Date **10/00** Bridge Design Supervisor **M. ZYDEL** Date _____

PROJECT **CHESTER** PROJECT NO. **BRF 025-1(35)**

I.G.C. Info. **M:\87\34\Structures\zbl34awd.dgn** zbl34awdJ

Bridge Sheet No. **BR120** Sheet **64** of **79**

PLOTTED **28-MAY-2003**