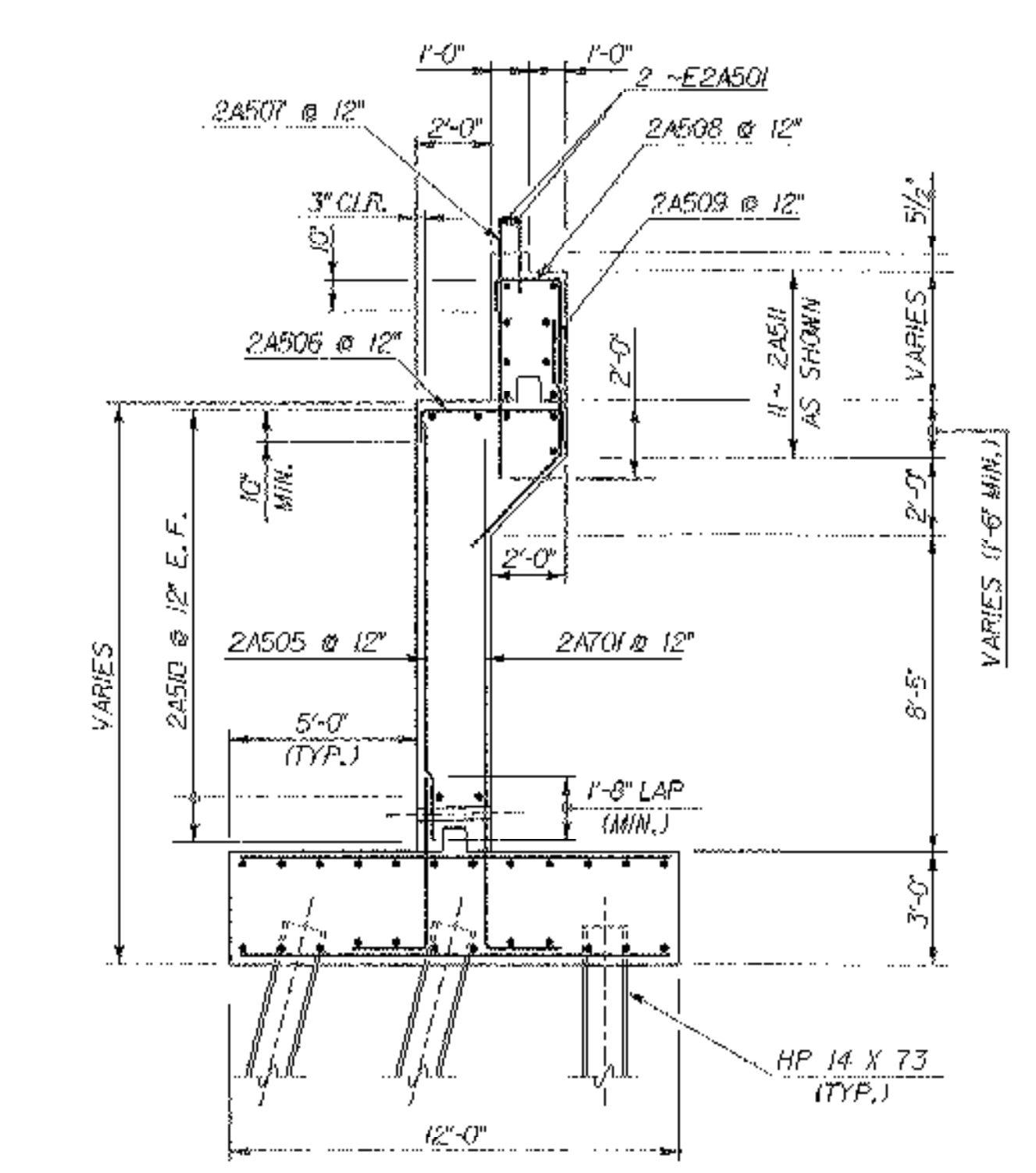
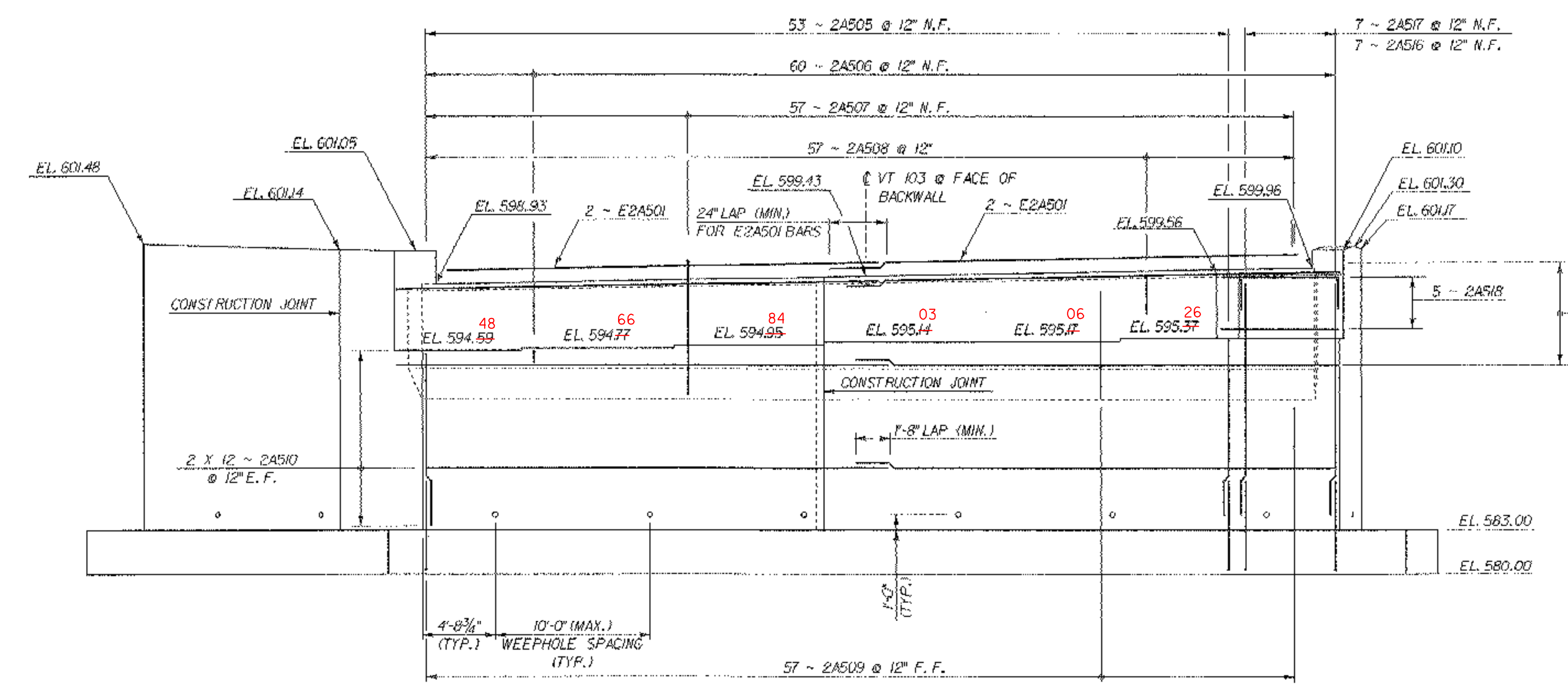


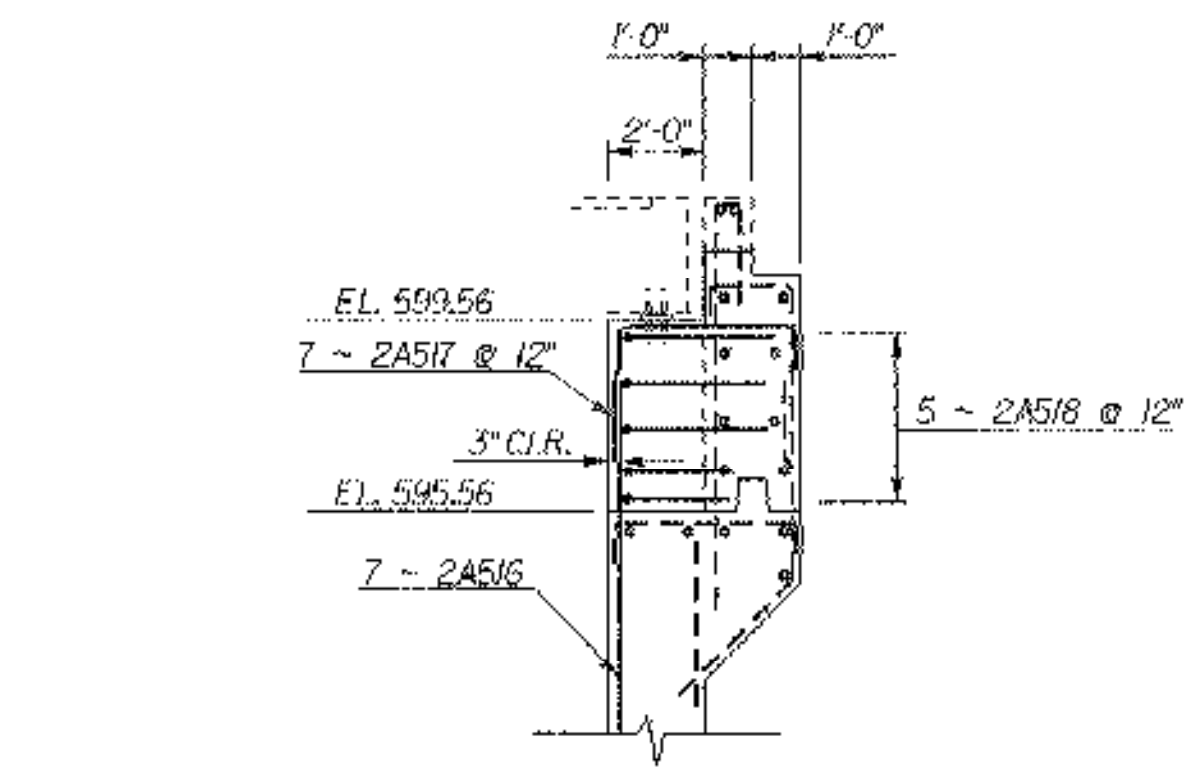
ABUTMENT NO. 2 MASONRY
SCALE: 3/16" = 1'-0"



ABUTMENT NO. 2 TYPICAL SECTION
SCALE: 1/4" = 1'-0"



ABUTMENT NO. 2 REINFORCING
SCALE: 3/16" = 1'-0"



ABUTMENT NO. 2 EXTRUDED BACKWALL AT DECK BEARING
SCALE: 1/4" = 1'-0"

LEGEND

- N.F. = NEAR FACE
- F.F. = FAR FACE
- E.F. = EACH FACE
- ▲ = CUT TO FIT IN FIELD

NOTES

- FOR FOOTING REINFORCEMENT DETAILS, SEE SHEET 66 OF 79.
- FOR WINGWALL REINFORCEMENT DETAILS, SEE SHEET 64 OF 79.

NOTE: LOWER BM SEATS O/LIFT SO AS TO ALLOW FOR HIGHER POT BEARINGS BY COSMEC INC. ABUTMENT #2 ONLY



STATE OF VERMONT AGENCY OF TRANSPORTATION			
Town Of	CHESTER	Bridge No.	12
Highway No.	VT 103	Log Sta.	
VT 103 OVER THE WILLIAMS RIVER			
ABUTMENT NO. 2 DETAILS			
Designed By	L. WILSON	Drawn By	P. DUSTIN
Checked By	T. GRANT	Date	10/02
		Bridge Design Supervisor	M. ZYDEL
PROJECT	CHESTER	PROJECT NO.	BRF 025-1(35)
I.C.C. Info. MANITOWOC Structures 2/13/4002.dgn		2/13/4002.dgn	
Bridge Sheet No. BR119		Sheet 63 of 79	