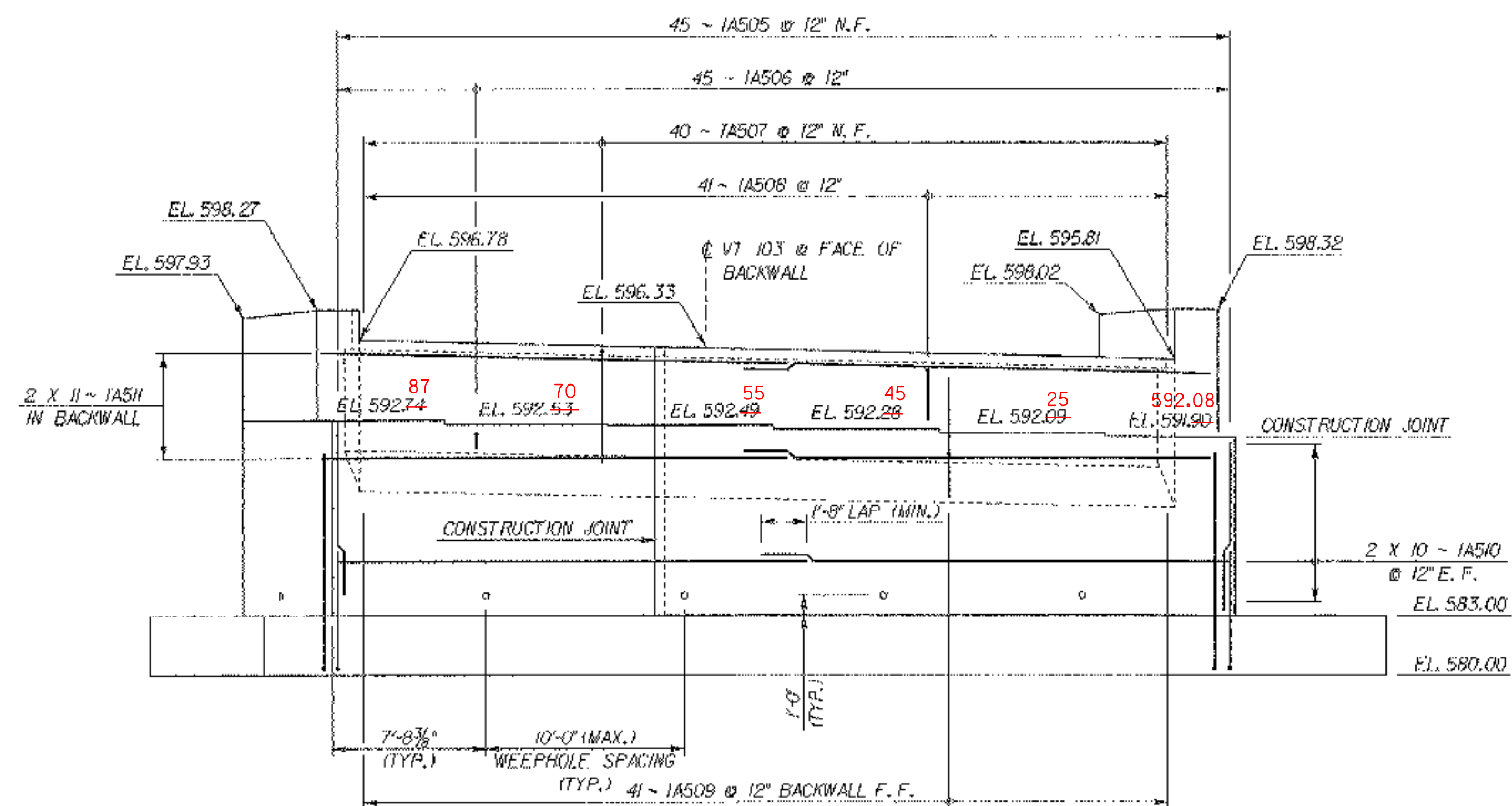
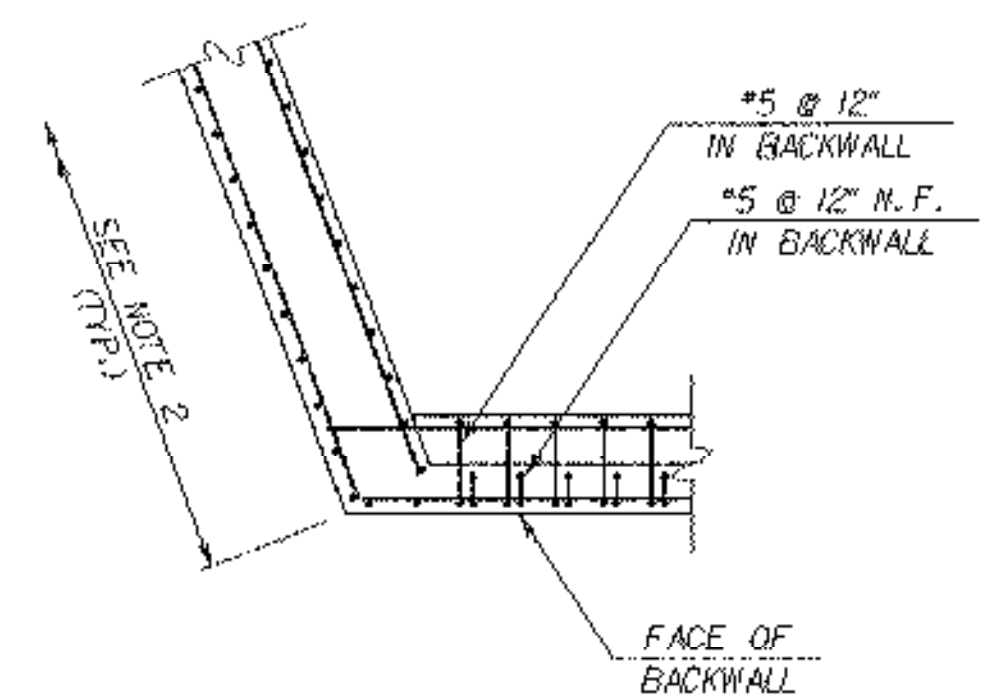


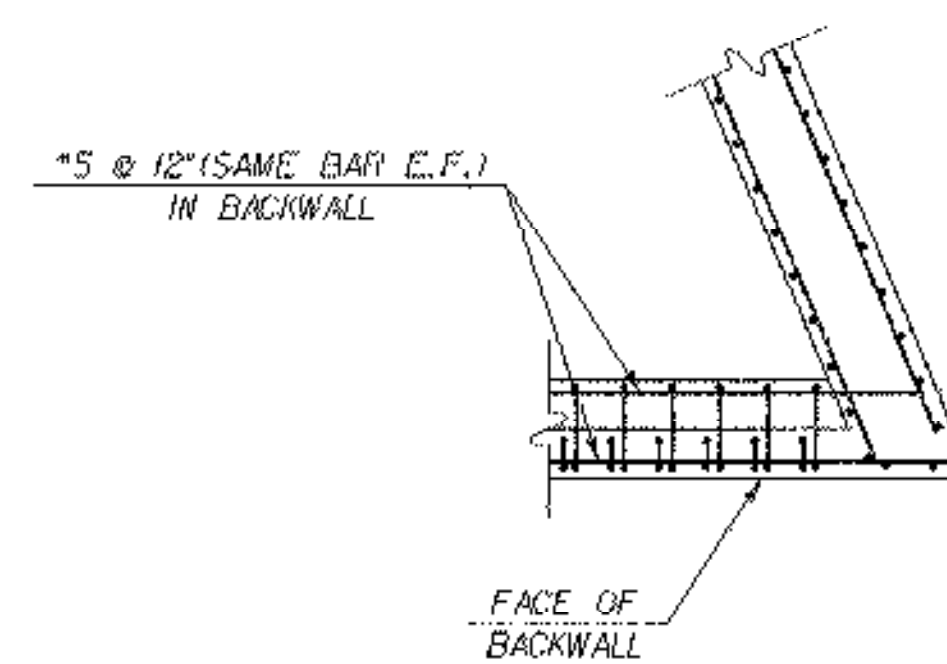
**ABUTMENT NO. 1 PLAN**  
SCALE: 3/16" = 1'-0"



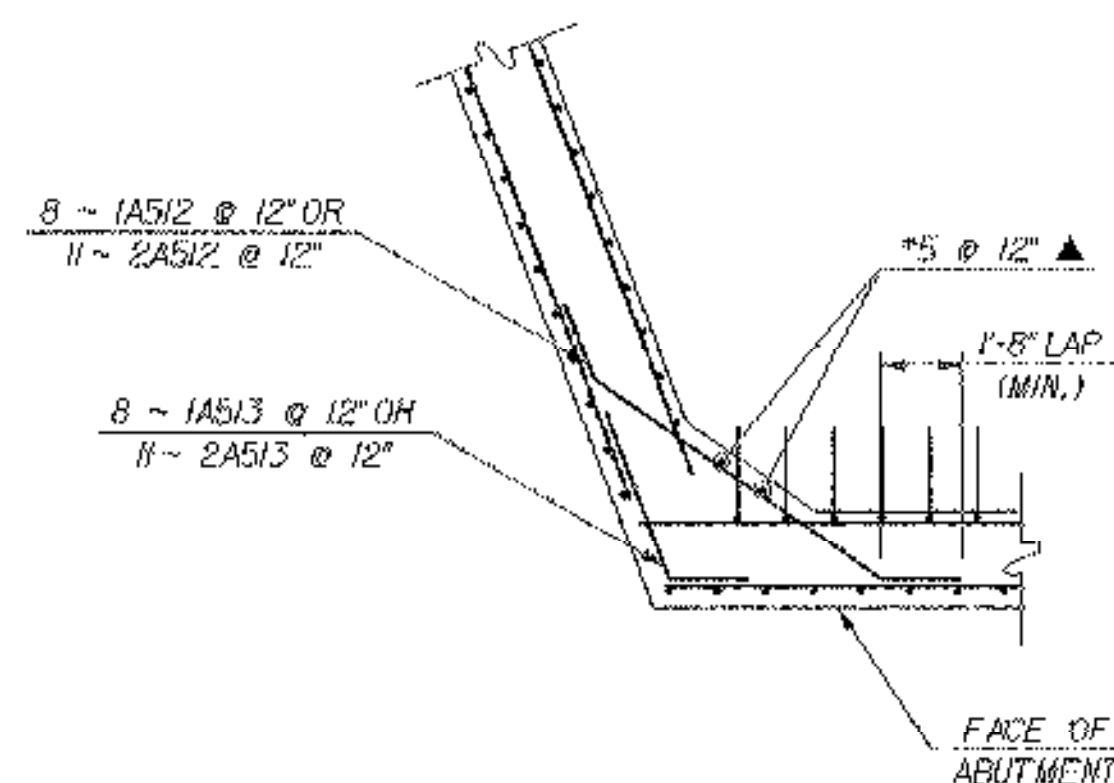
**ABUTMENT NO. 1 ELEVATION**  
SCALE: 3/16" = 1'-0"



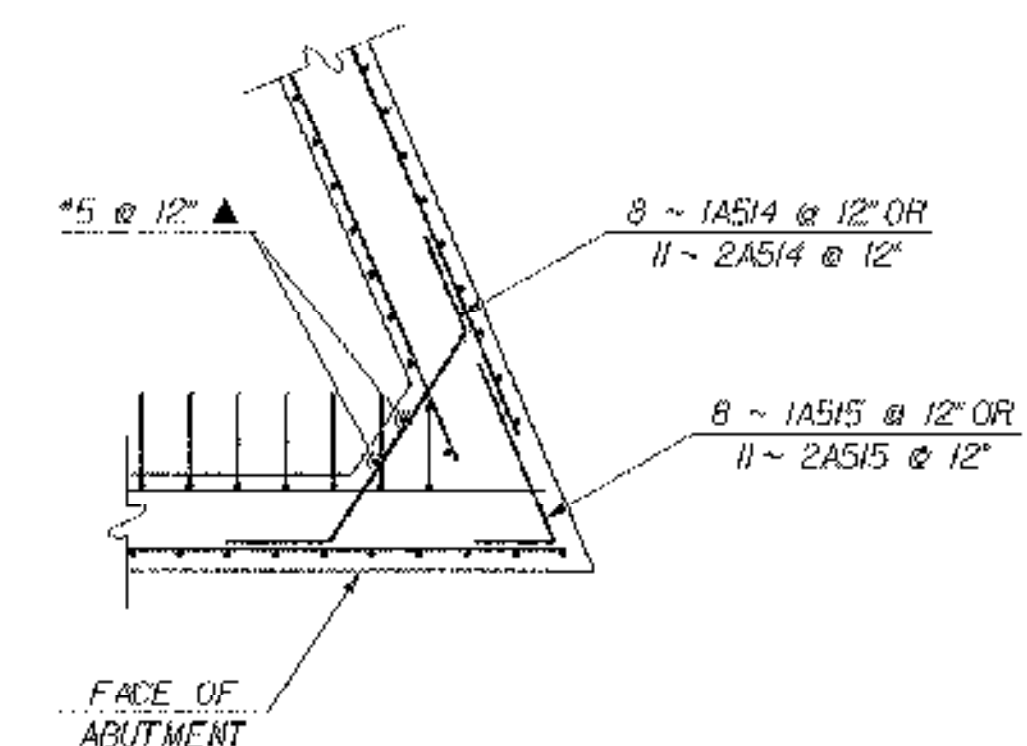
**WINGWALL NO. 2 & 4  
CORNER DETAIL @ BACKWALL**  
SCALE: 1/4" = 1'-0"



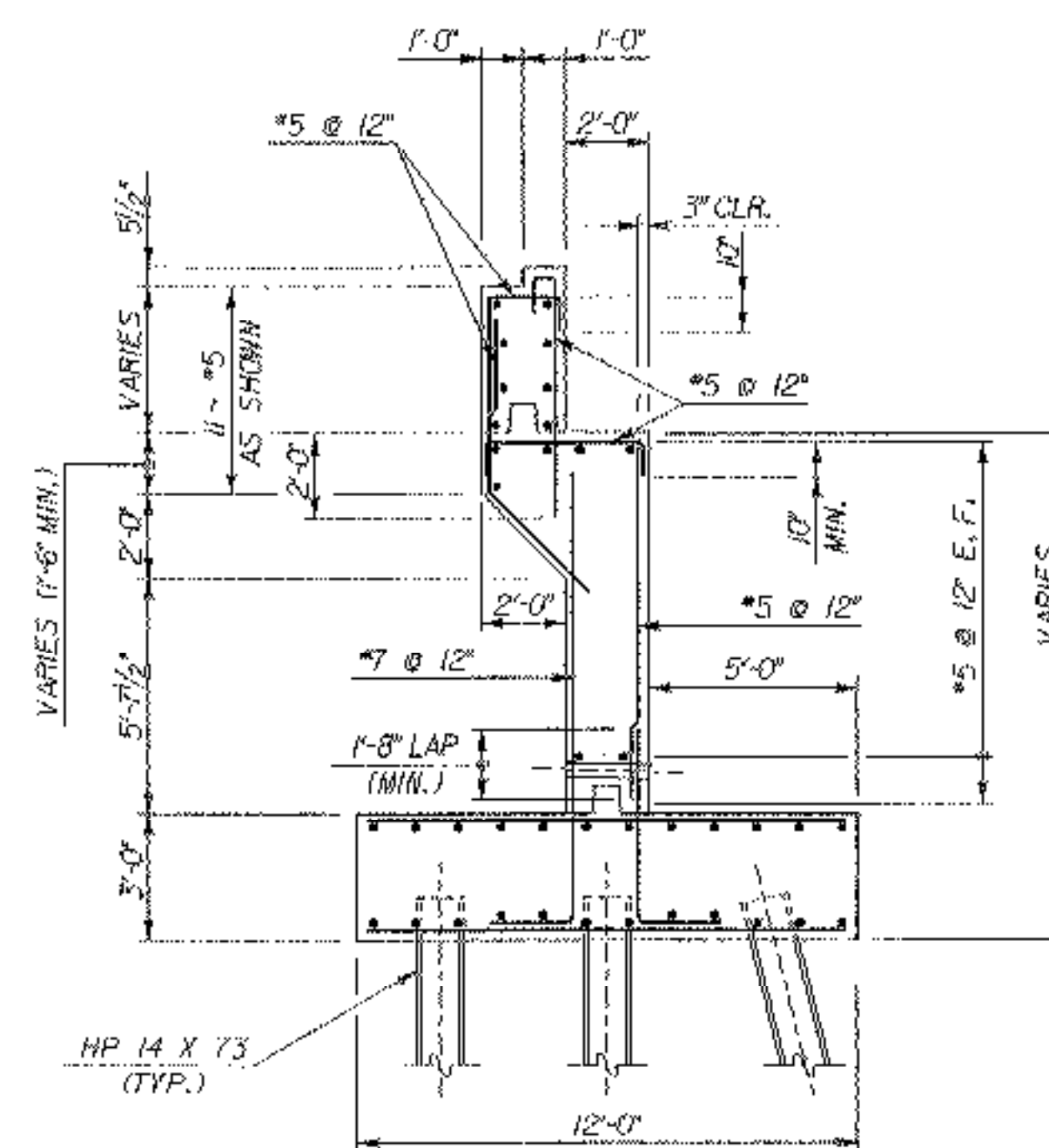
**WINGWALL NO. 1 & 3  
CORNER DETAIL @ BACKWALL**  
SCALE: 1/4" = 1'-0"



**WINGWALL NO. 2 & 4  
CORNER DETAIL @ STEM**  
SCALE: 1/4" = 1'-0"



**WINGWALL NO. 1 & 3  
CORNER DETAIL @ STEM**  
SCALE: 1/4" = 1'-0"



**ABUTMENT NO. 1 TYPICAL SECTION**  
SCALE: 1/4" = 1'-0"

**LEGEND**

- N.F. - NEAR FACE
- F.F. - FAR FACE
- E.F. - EACH FACE
- ▲ - CUT TO FIT IN FIELD

**NOTES**

1. FOR FOOTING REINFORCEMENT DETAILS, SEE SHEET 65 OF 79.
2. FOR WINGWALL REINFORCEMENT DETAILS, SEE SHEET 64 OF 79.

**STATE OF VERMONT  
AGENCY OF TRANSPORTATION**

Town of	<b>CHESTER</b>	Bridge No.	12
Highway No.	<b>VT 103</b>	Log Sta.	
<b>VT 103 OVER THE WILLIAMS RIVER</b>			
<b>ABUTMENT NO. 1 DETAILS</b>			
Designed By	L. WIXSON	Drawn By	P. DUSTIN
Checked By	T. GRANT	Date	10/00
		Bridge Design Supervisor	M. ZYDEL
PROJECT	<b>CHESTER</b>	PROJECT NO.	<b>BRF 025-(135)</b>
I.G.C. Info. MA87b3-Structures\zbl34col.dgn		zbl34col.d	
Bridge Sheet No.	BR118	Sheet	62 of 79
PLOTTED 28-MAR-2003			

