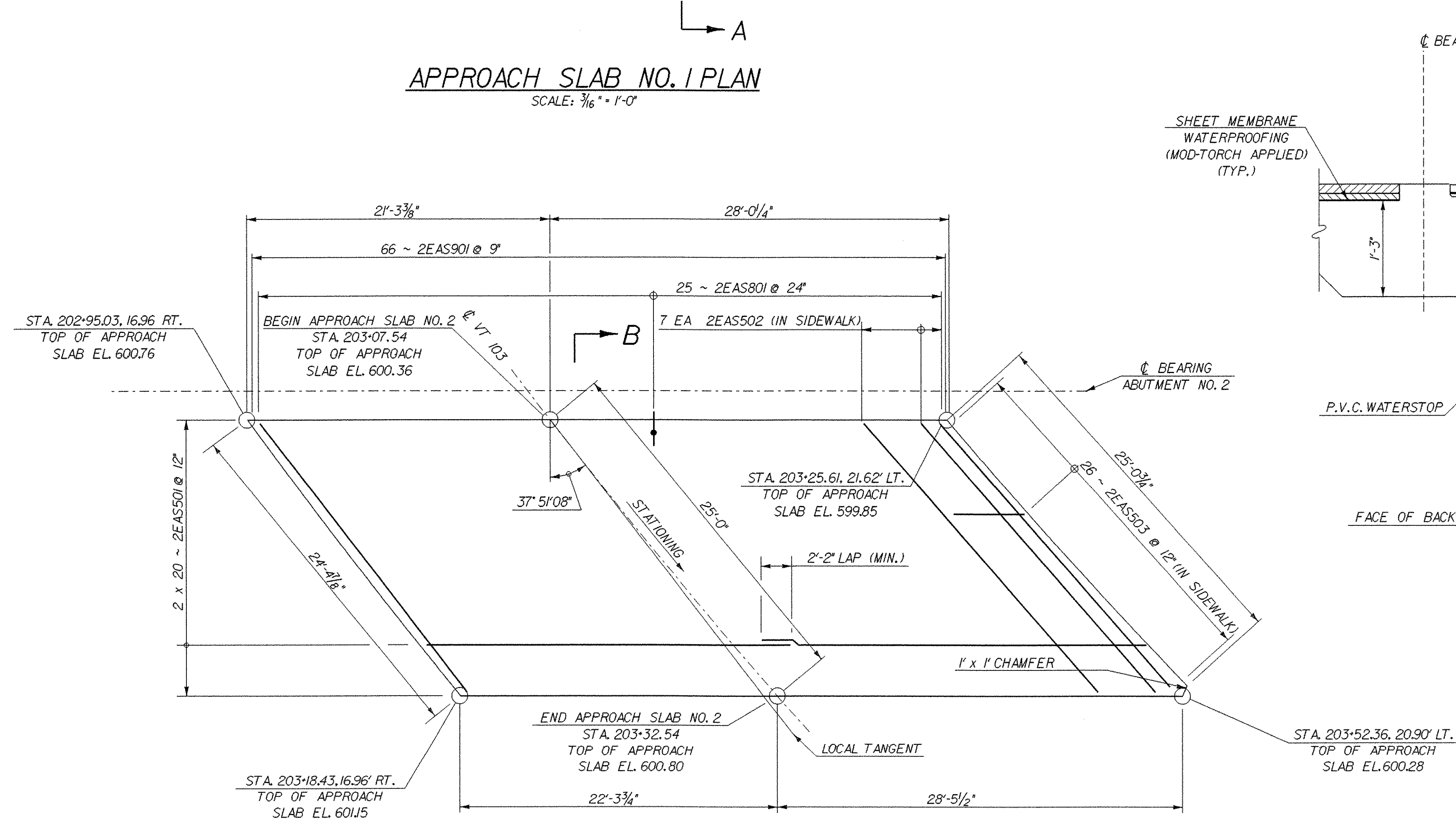
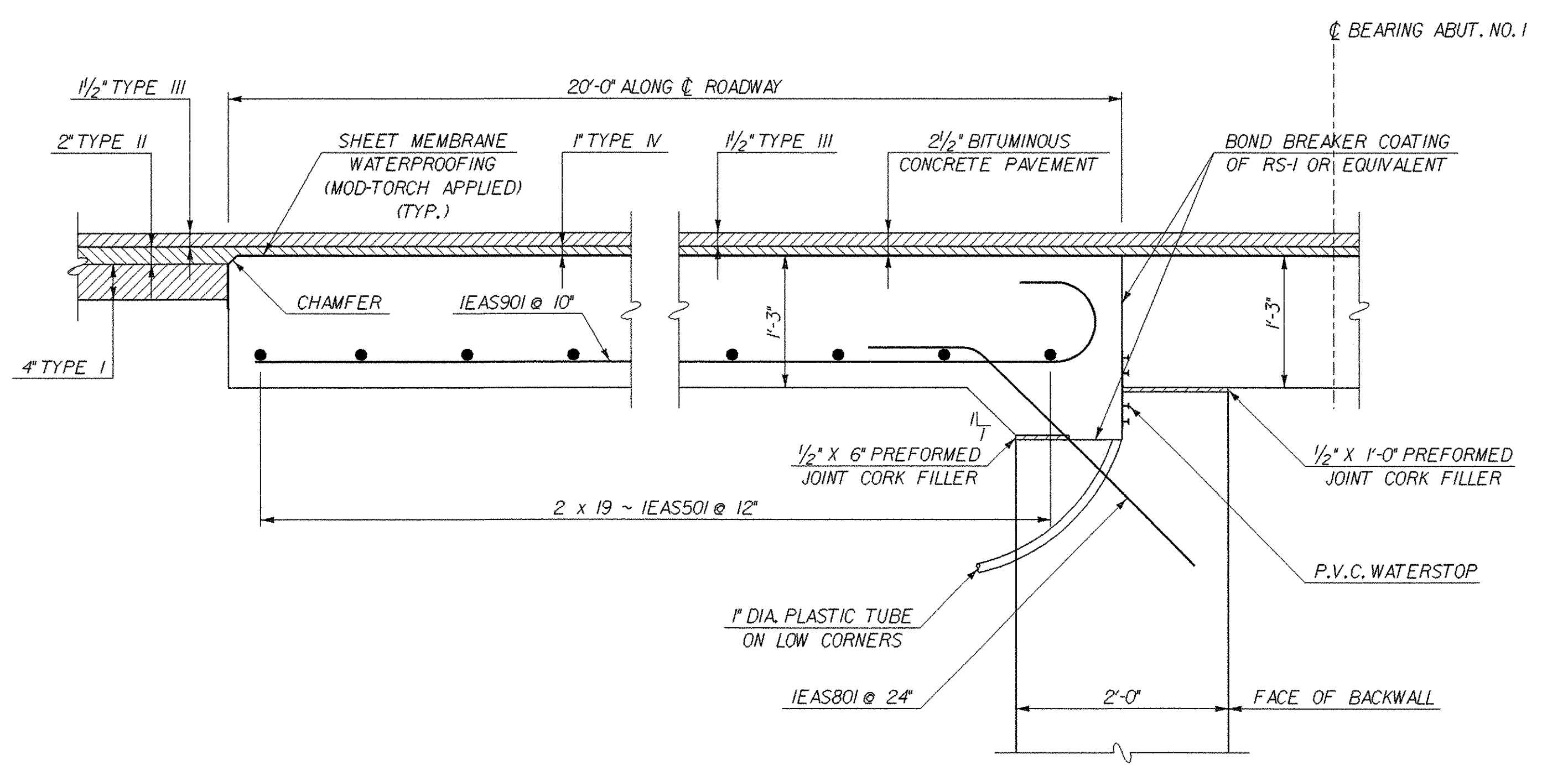


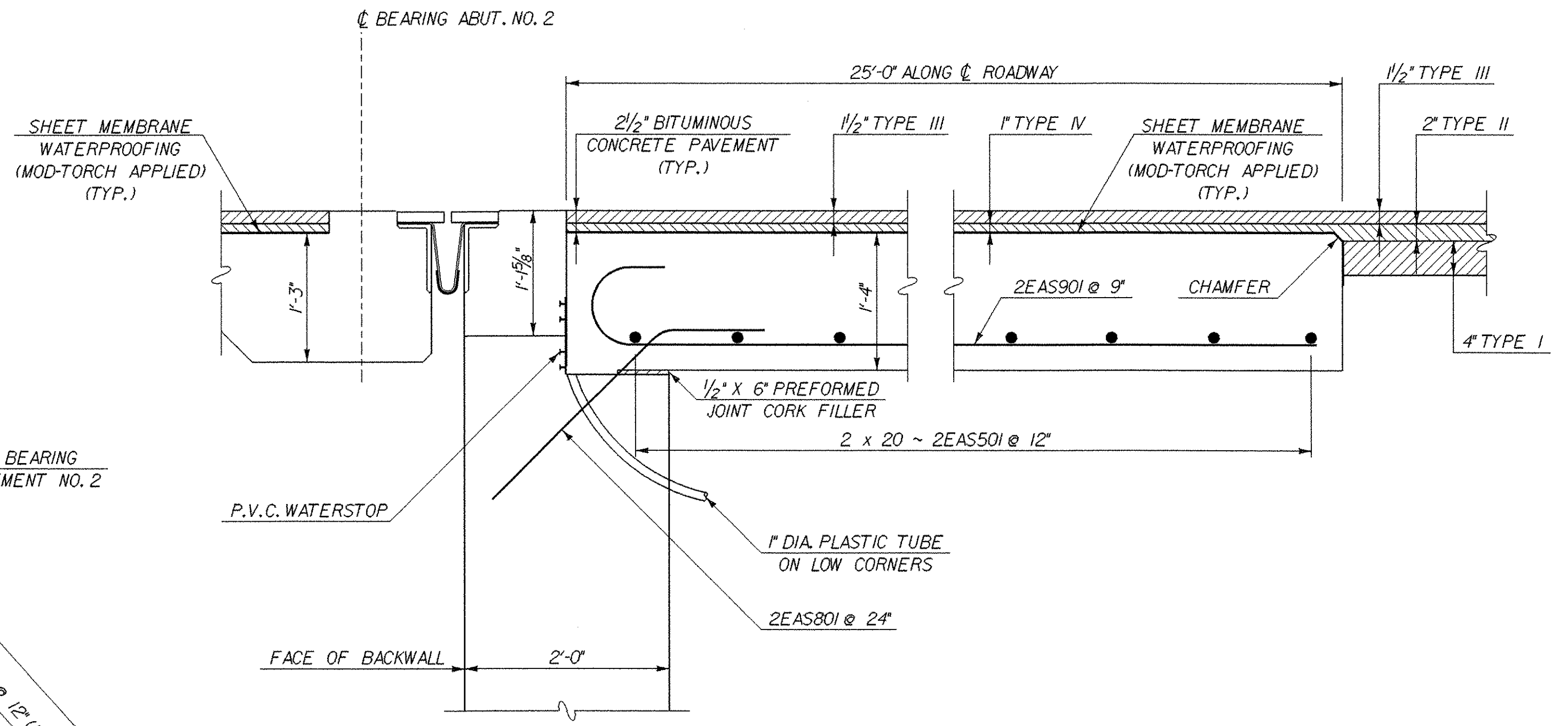
**APPROACH SLAB NO. 1 PLAN**  
SCALE: 3/16" = 1'-0"



**APPROACH SLAB NO. 2 PLAN**  
SCALE: 3/16" = 1'-0"



**SECTION A-A**  
SCALE: 1" = 1'-0"



**SECTION B-B**  
SCALE: 1" = 1'-0"

<b>STATE OF VERMONT AGENCY OF TRANSPORTATION</b>	
Town Of <b>CHESTER</b>	Bridge No. <b>12</b>
Highway No. <b>VT 103</b>	Log Sta. <b>213+40.51</b>
<b>VT 103 OVER THE WILLIAMS RIVER</b>	
<b>APPROACH SLAB DETAILS</b>	
Designed By <b>L. WIXSON</b>	Drawn By <b>P. DUSTIN</b>
Checked By <b>T. GRANT</b>	Bridge Design Supervisor <b>M. ZYDEL</b>
Date <b>10/00</b>	Date
PROJECT <b>CHESTER</b>	PROJECT NO. <b>BRF 025-1(35)</b>
I.G.C. Info. <b>MA87b134Structures\zbl34cas.dgn</b>	<b>zbl34cas1</b>
Bridge Sheet No. <b>BR17</b>	Sheet <b>61</b> of <b>79</b>
PLOTTED <b>28-MAY-2003</b>	

