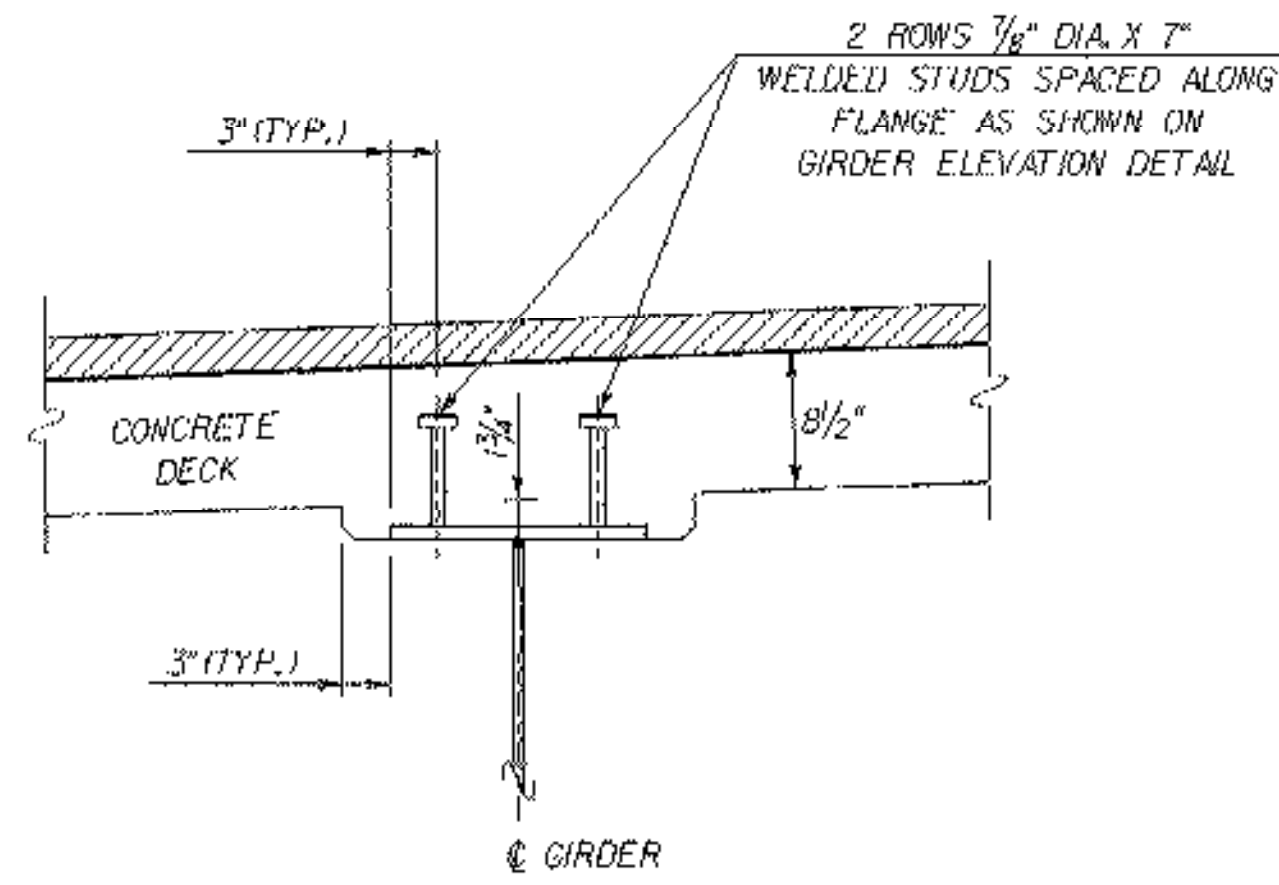
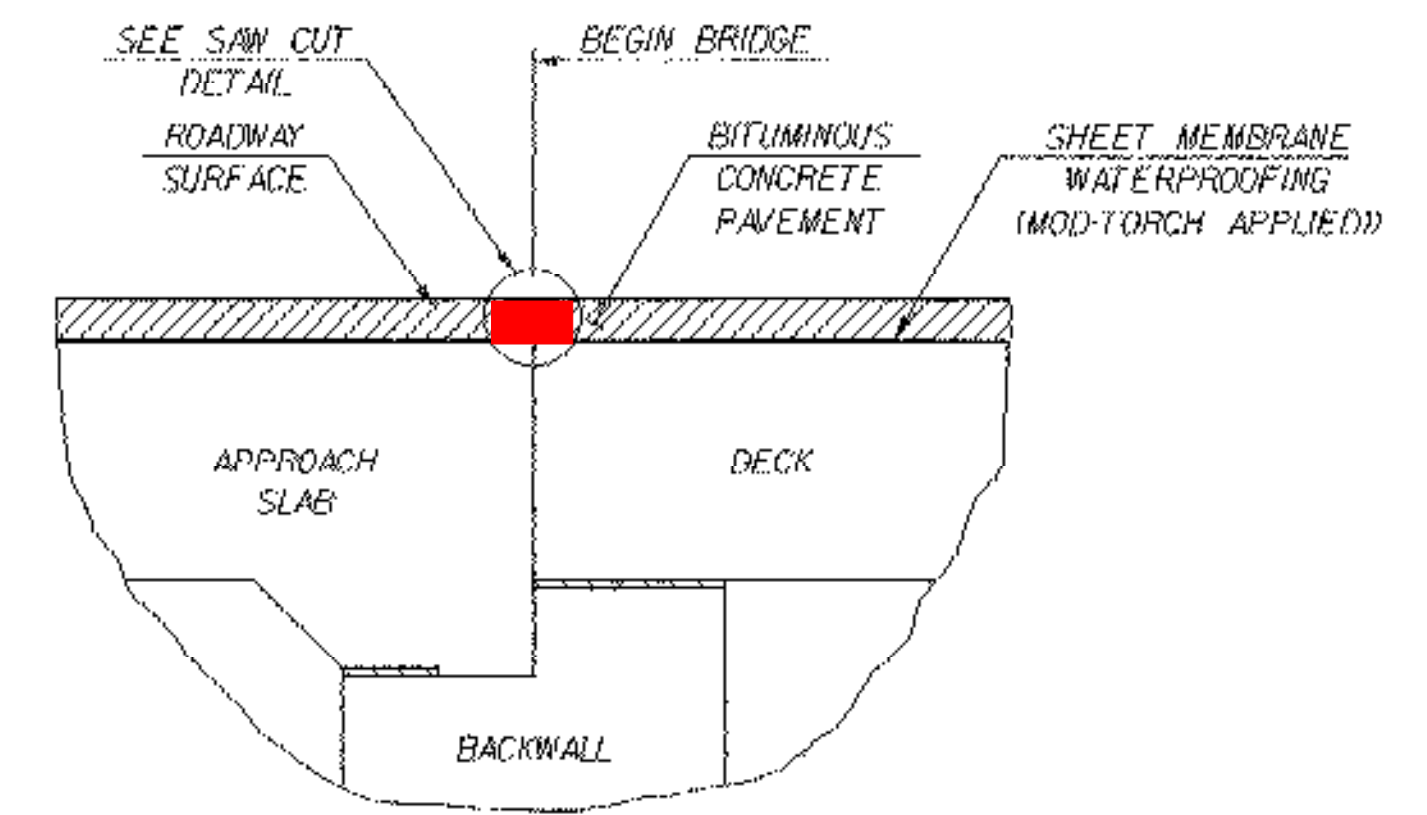


DRIP PLATE PLAN
SCALE: 1/2" = 1'-0"

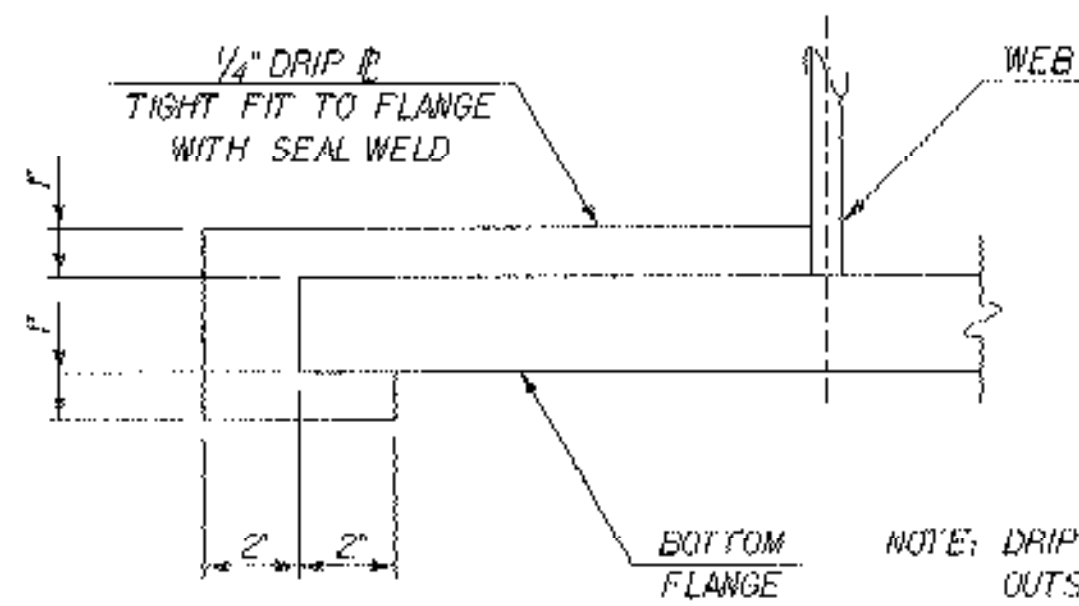


BEAM HAUNCH AND SHEAR CONNECTOR DETAIL
SCALE: 1" = 1'-0"



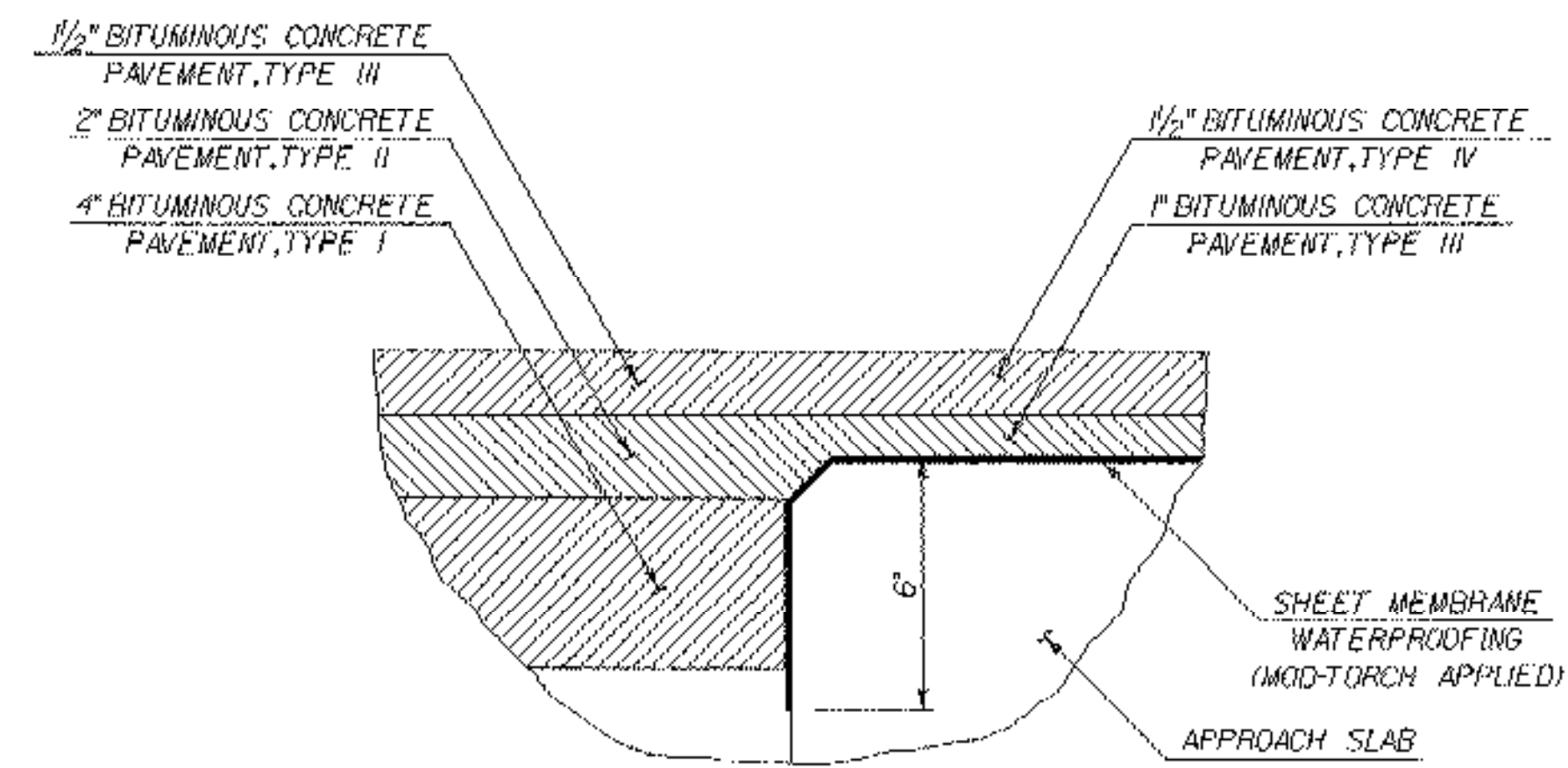
DETAIL FOR JOINT IN PAVEMENT
SCALE: 1" = 1'-0"

ASPHALTIC PLUG JOINT SA/CO #1 (II-10-04)

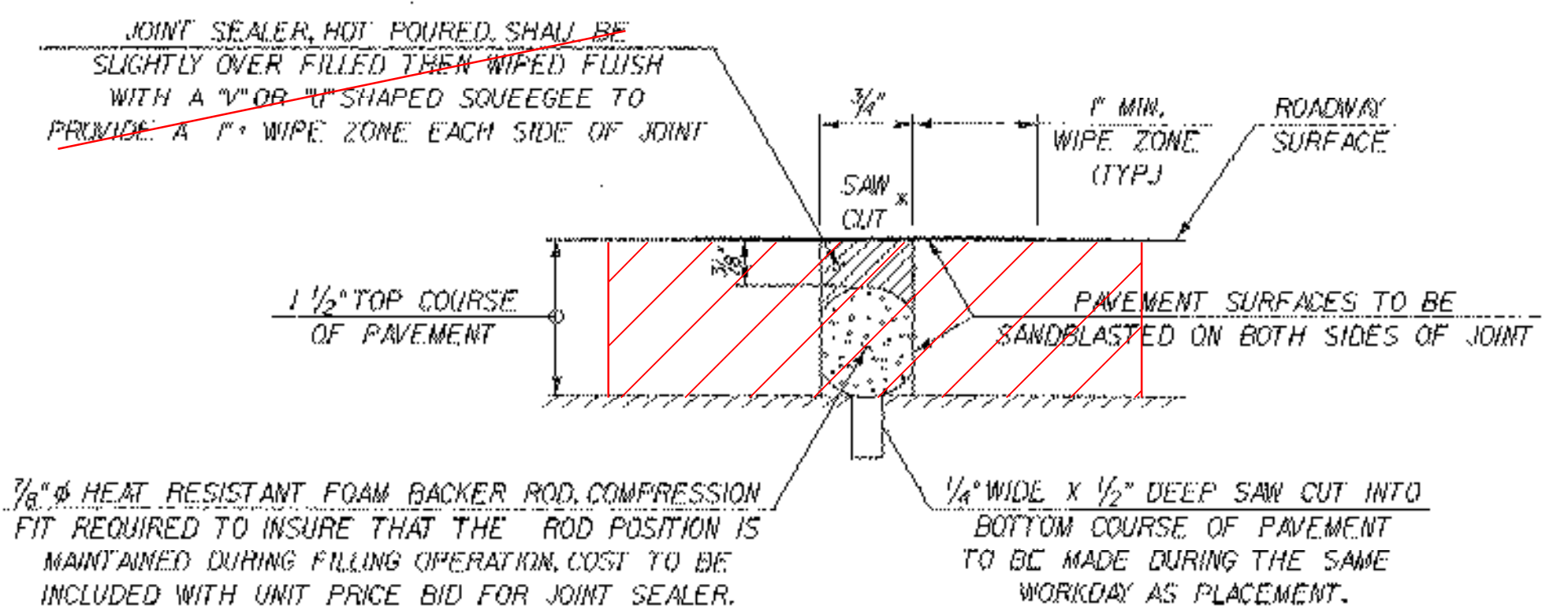


DRIP PLATE SECTION A-A
SCALE: 3" = 1'-0"

NOTE: DRIP PLATES SHALL BE PLACED ON OUTSIDE EDGE OF FASCIA GIRDERS, SEE FRAMING PLAN FOR LOCATION, BRIDGE SHEET BR108.

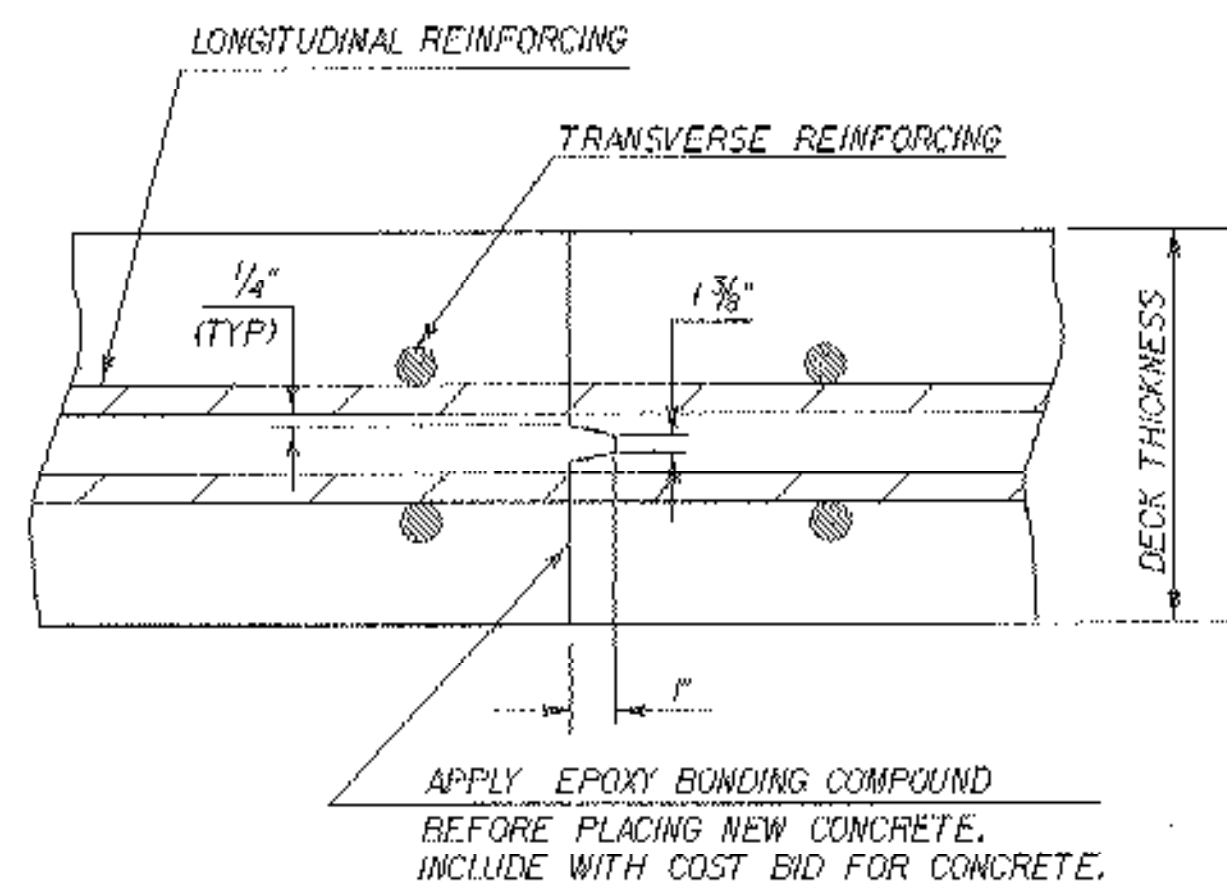


SHEET MEMBRANE DETAIL AT END OF APPROACH SLAB
SCALE: 3" = 1'-0"

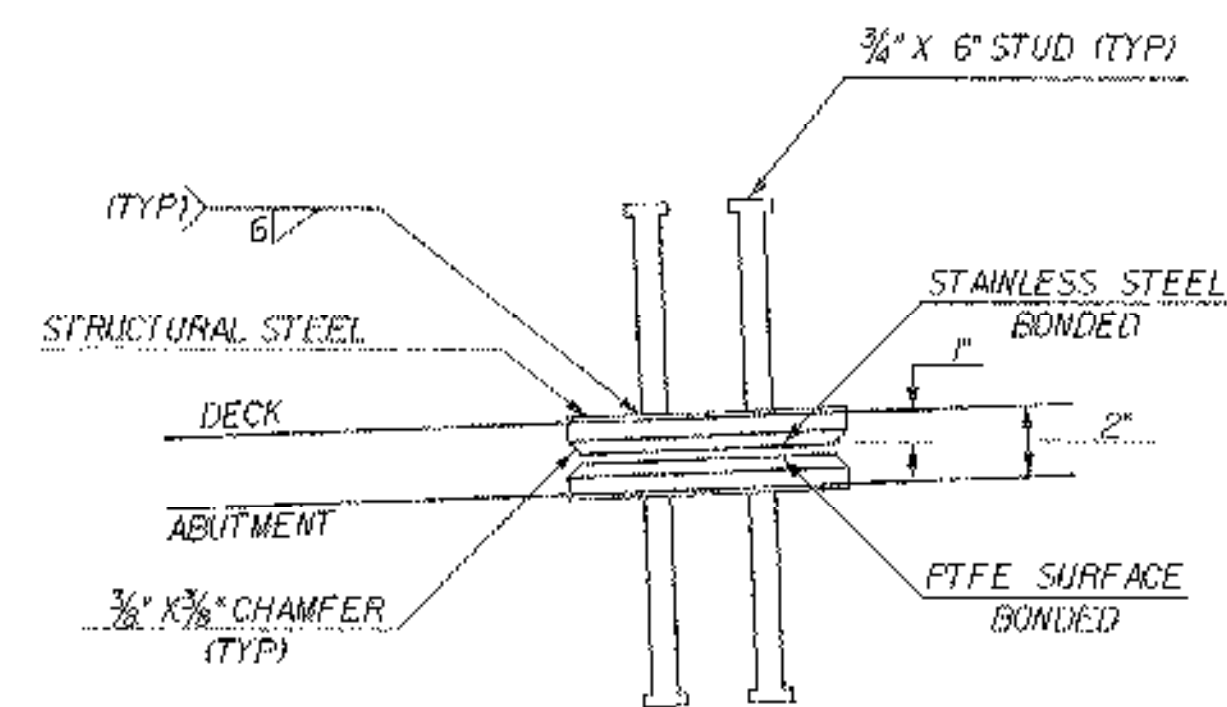


* JOINT IS TO BE LOCATED ACCURATELY BY STRING LING, OR OTHER MEANS, PRIOR TO PAVING, SO THAT THE SAW CUTS WILL BE MADE DIRECTLY OVER THE END OF CONCRETE DECK. JOINT SHALL BE CUT DRY IN A SINGLE PASS AND BE SEALED WITHIN 24 HOURS OR PRIOR TO EXPOSURE TO TRAFFIC. JOINT SHALL BE CLEANED PRIOR TO APPLYING THE JOINT SEALER. SEE VT SPECIFICATION 524 AND SPECIAL PROVISIONS.

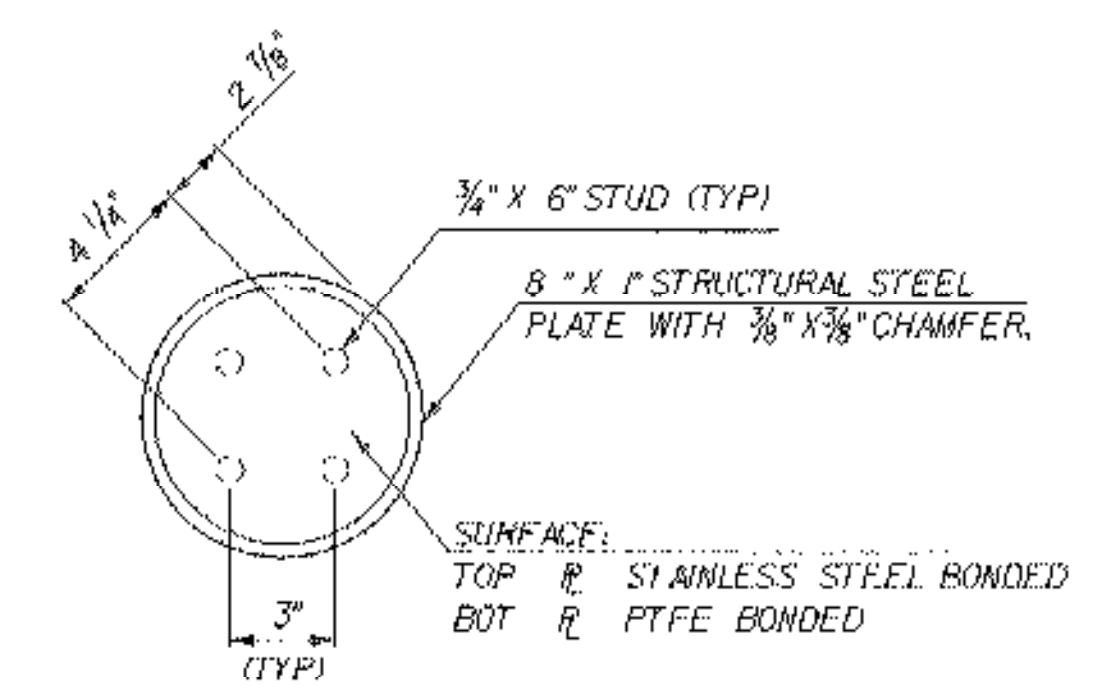
SAW CUT JOINT DETAIL
N.T.S.



TRANSVERSE BRIDGE SLAB CONSTRUCTION JOINT DETAILS
N.T.S.



ELEVATION



PLAN

SEE BEARING DETAIL SHEET 54 OF 79 FOR MORE INFORMATION

DECK BEARING DEVICE DETAIL
N.T.S.



STATE OF VERMONT AGENCY OF TRANSPORTATION	
Town of CHESTER	Bridge No. 12
Highway No. VT 103	Log Sta. Surv. Sta.
VT 103 OVER THE WILLIAMS RIVER	
MISCELLANEOUS DETAILS SHEET - 2	
Designed By L. WIXSON	Drawn By P. DUSTIN
Checked By T. GRANT	Date 10/00 Bridge Design Supervisor M. ZYDEL
PROJECT CHESTER	PROJECT NO. BRF 025-1(35)
I.G.C. Info. MSB71341Structures201340a2.dgn	zbl346m21
Bridge Sheet No. BR16	Sheet 60 of 79
PLOTTED 28 MAY 2003	