

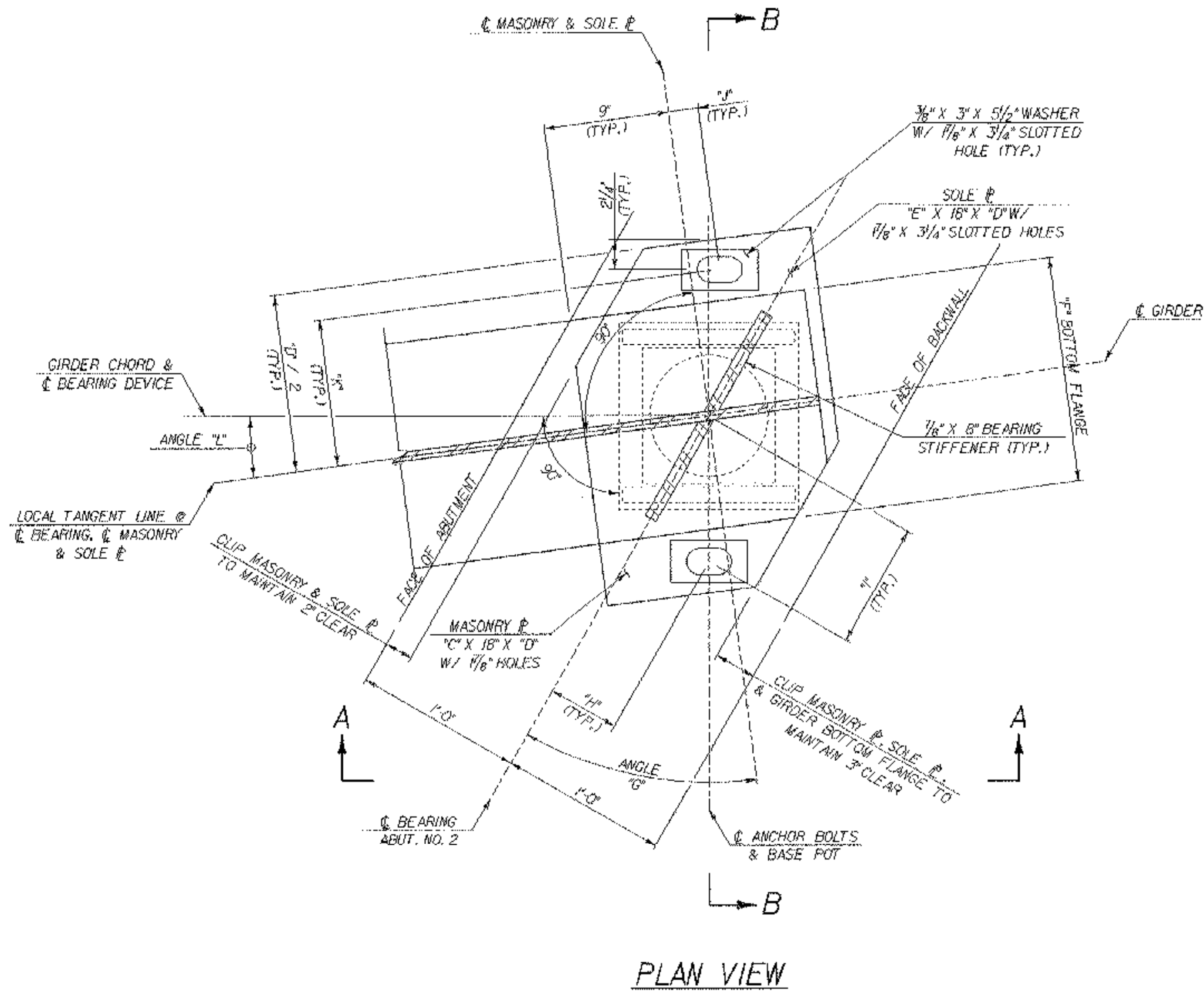
COSMEC POT BEARINGS USED

TABLE OF EXPANSION BEARING DIMENSIONS @ ABUTMENT NO. 2

GIRDER	PLATE THICKNESS DIM."C"	PLATE LENGTH DIM."D"	PLATE THICKNESS DIM."E"	FLANGE WIDTH DIM."F"	ANGLE "G" BETWEEN BRG. & MASON. P.	HOLE DIM."H"	HOLE DIM."I"	HOLE DIM."J"	HOLE DIM."K"	ANGLE "L" BETWEEN GIRDER CHORD & LOCAL TANGENT @ BRG.	HEIGHT "M" BETWEEN TOP OF BRIDGE SEAT & BOTTOM OF GIRDER FLANGE
G1	1/8"	25"	1" TO 1/4"	16"	40°13'	5/2"	8 3/4"	2 3/4"	10 1/4"	8°04'48"	5 1/4" - 6 3/16"
G2	1/8"	25"	1" TO 1/4"	16"	39°05'34"	5 5/8"	8 1/8"	2 1/2"	10 1/4"	7°51'42"	5 1/4" - 6 3/16"
G3	1/8"	25"	1" TO 1/4"	16"	38°12'43"	5 1/4"	8 1/8"	2 3/8"	10 1/4"	7°39'24"	5 1/4" - 6 3/16"
G4	1/8"	25"	1" TO 1/4"	16"	37°22'21"	5 1/8"	9"	2 1/8"	10 1/4"	7°27'48"	5 1/4" - 6 3/16"
G5	1/8"	32"	1" TO 1/4"	22"	36°34'32"	6 3/8"	1'-0 1/8"	4 3/8"	1'-1 3/4"	7°16'51"	6" - 7 1/16"
G6	1/8"	32"	1" TO 1/4"	22"	35°48'49"	5 5/8"	1'-0 1/8"	4 3/8"	1'-1 3/4"	7°06'29"	6" - 7 1/16"

BEARING NOTES

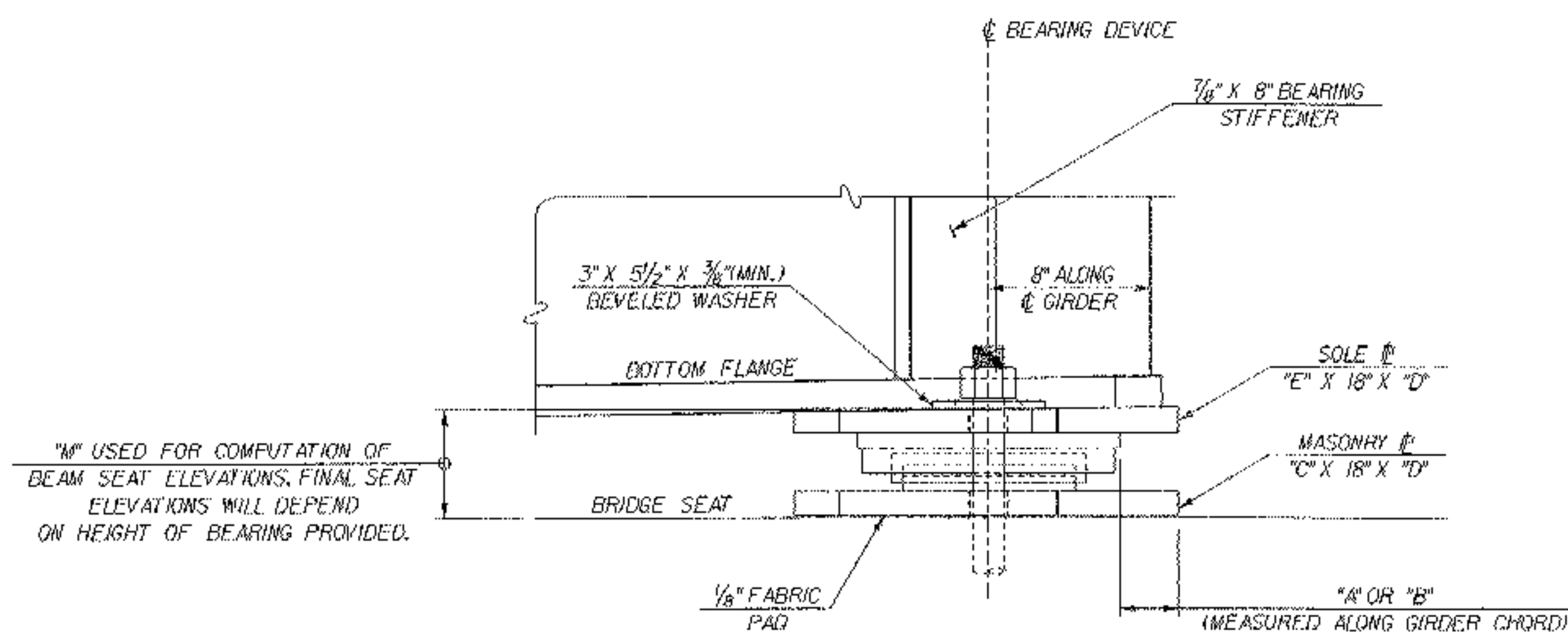
1. FOR BEARING NOTES, SEE BRIDGE SHEET 54 OF 79.



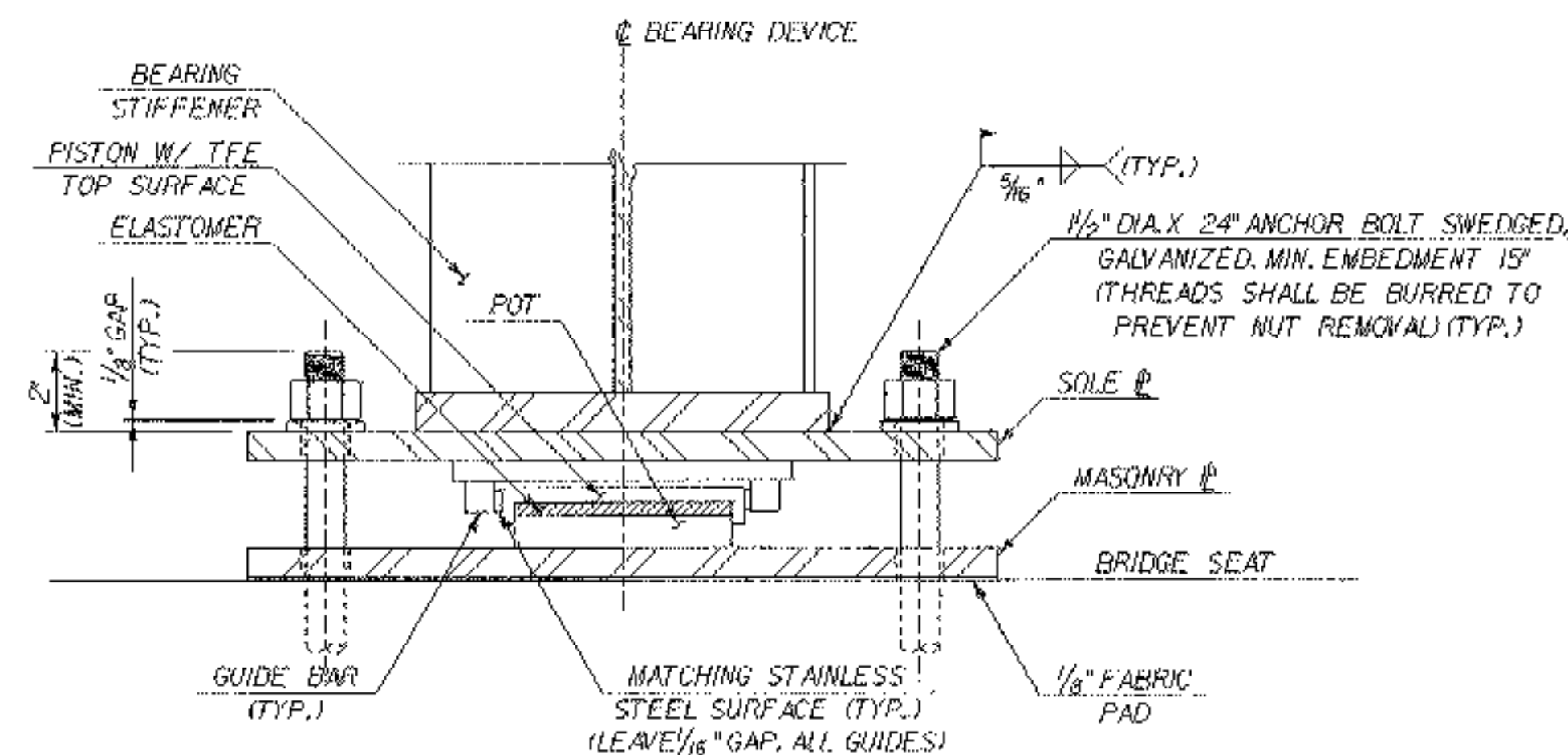
PLAN VIEW

ABUTMENT NO. 2 TEMPERATURE SETTING TABLE

TEMP.	"A" DIST.	"B" DIST.
0° F	3 1/4"	3 3/8"
15° F	3 1/8"	3 3/4"
30° F	3"	3 5/8"
45° F	2 7/8"	3 1/2"
60° F	2 3/4"	3 3/8"
75° F	2 5/8"	3 1/4"
90° F	2 1/2"	3 1/8"
105° F	2 3/8"	3"



SECTION A-A



SECTION B-B

EXPANSION BEARING DETAIL @ ABUTMENT NO. 2

SCALE: 2" = 1'-0"



STATE OF VERMONT AGENCY OF TRANSPORTATION

Town Of	CHESTER	Bridge No.	12
Highway No.	VT 103	Loc. Sta.	
		Surv. Sta.	
VT 103 OVER THE WILLIAMS RIVER			
ABUTMENT NO. 2 EXPANSION BEARING DETAILS			
Designed By	L. WILKINSON	Drawn By	P. DUSTIN
Checked By	T. GRANT	Date	10/08
		Bridge Design Supervisor	M. ZYDEL Date
PROJECT	CHESTER	PROJECT NO.	BRF 025-K(35)
I.G.C. Info.	M:\87134\Structures\zbl34cebd.dgn		zbl34cebd
Bridge Sheet No.	BR11	Sheet	55 of 79

PLOTTED 28-MAR-2007