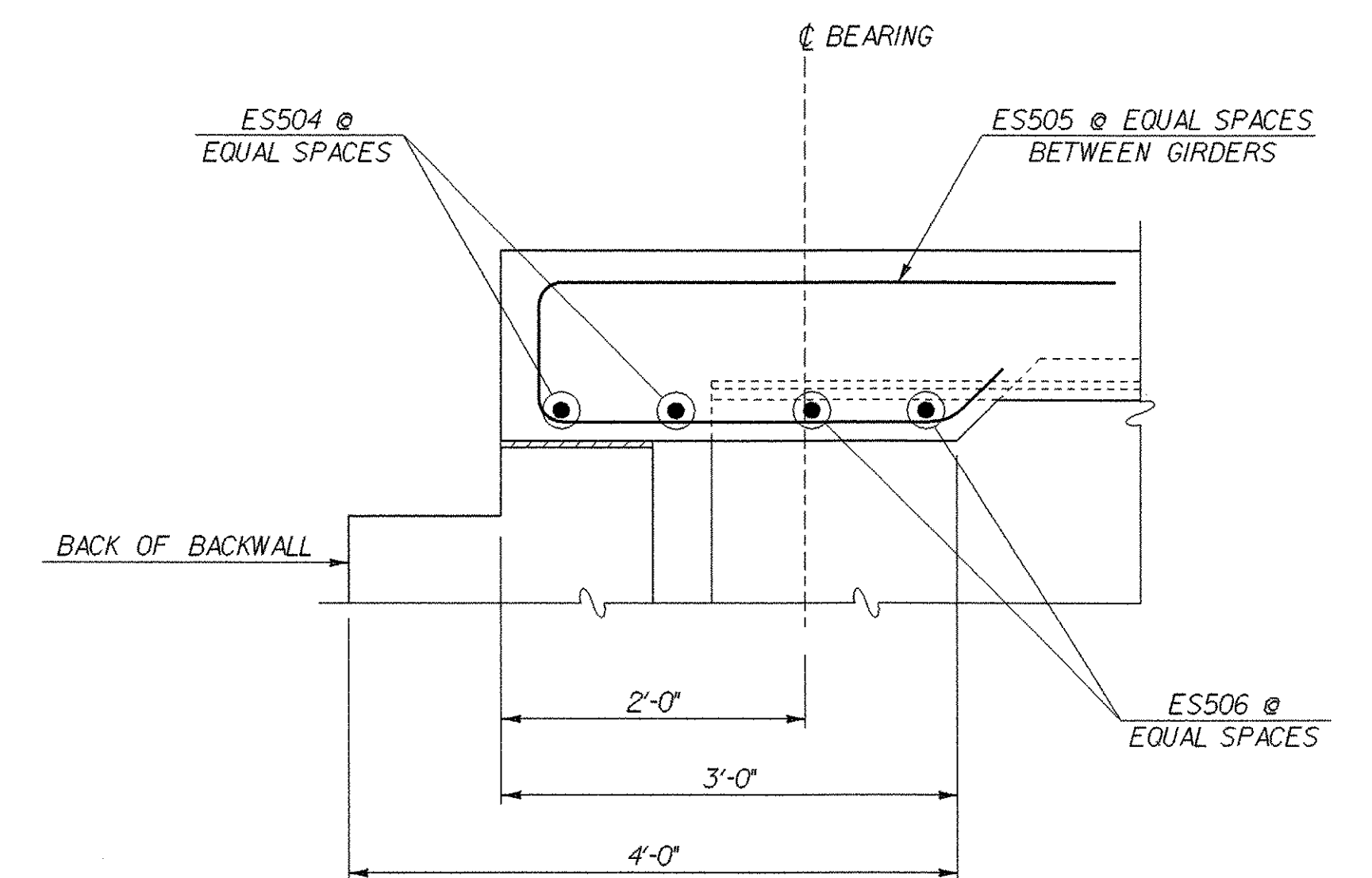
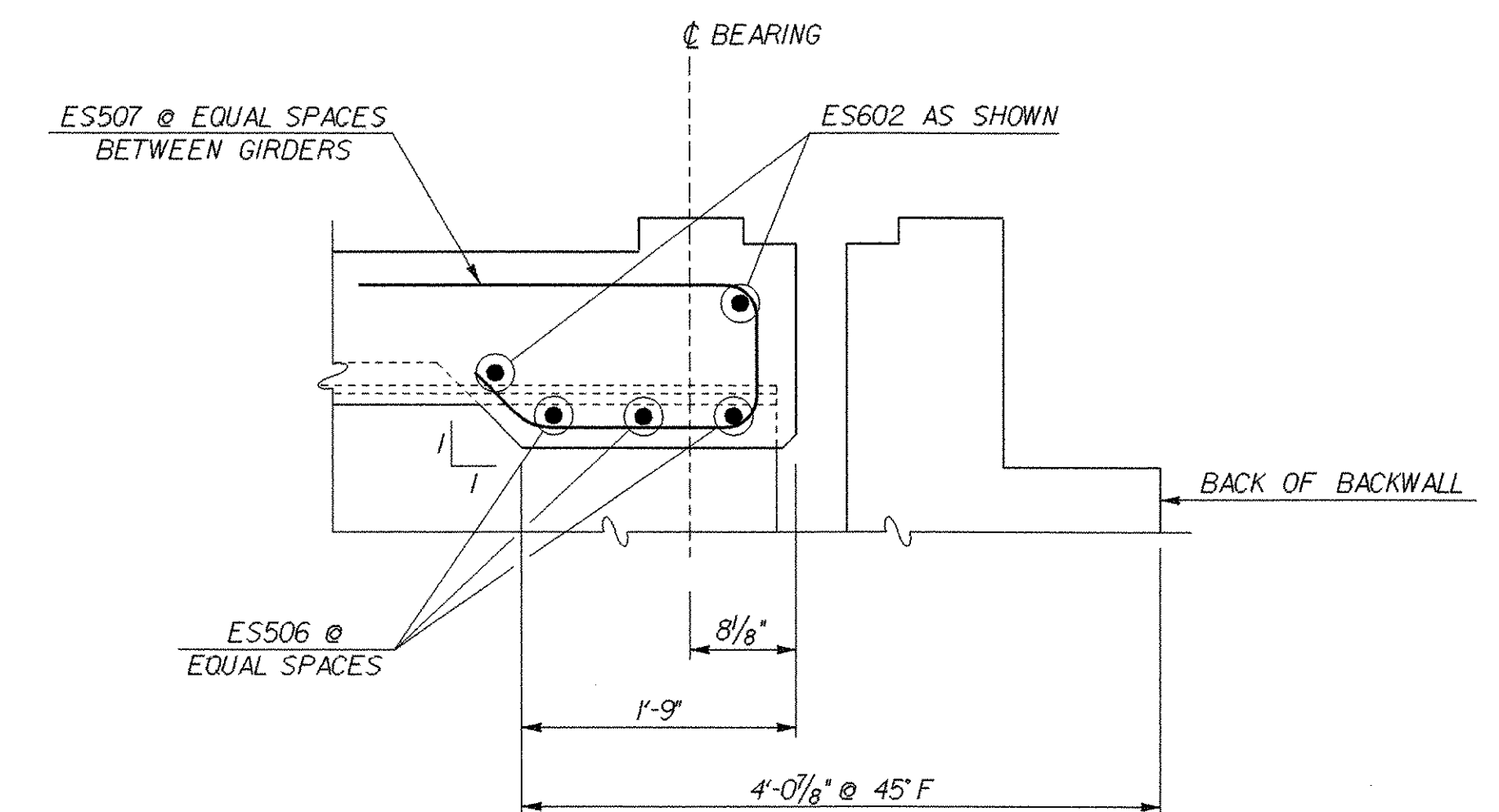


**BRIDGE TYPICAL SECTION**  
SCALE: 3/8" = 1'-0"

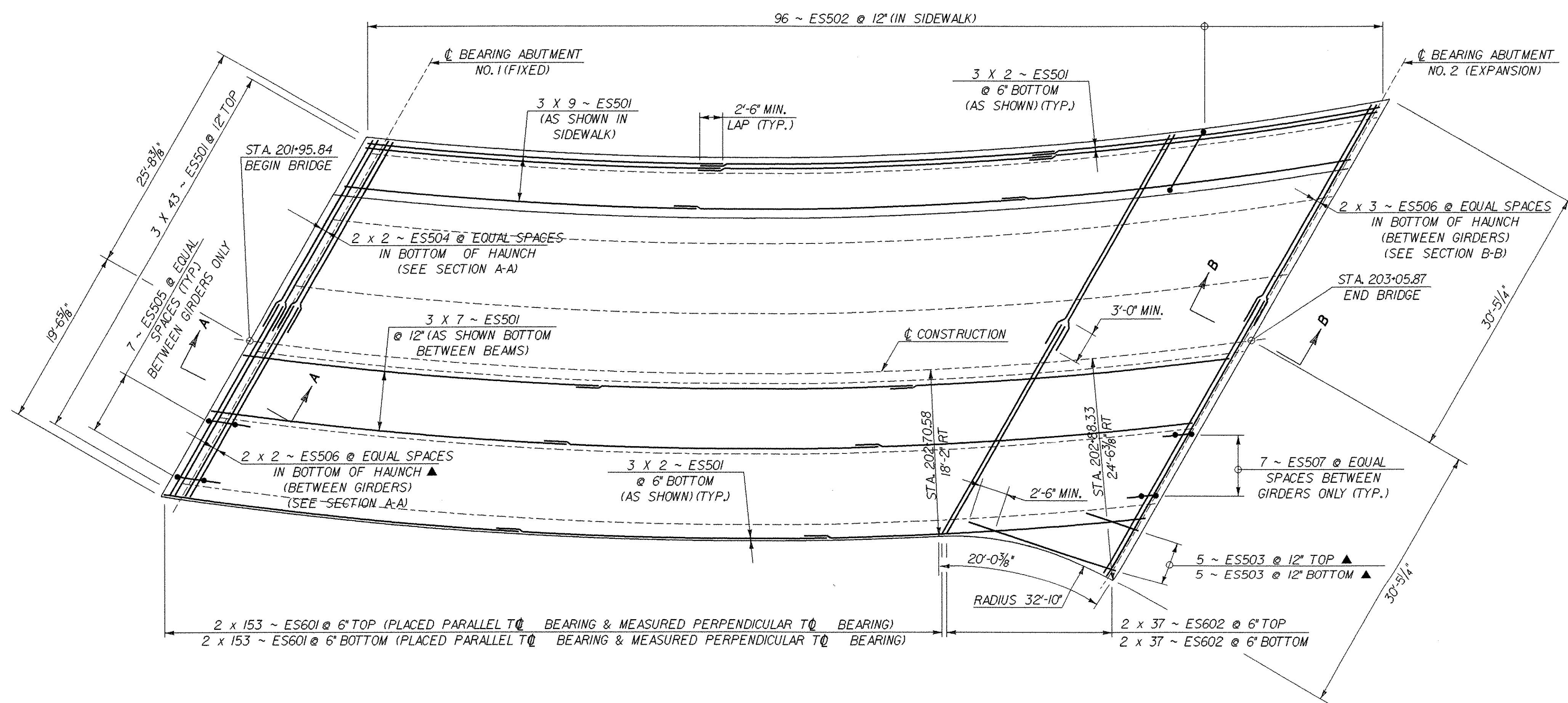
\* DIMENSIONS ARE RADIAL  
\*\* SEE SHEETS 68 AND 69 FOR REINFORCING STEEL DETAILS.



**SECTION A-A**  
SCALE: 1" = 1'-0"



**SECTION B-B**  
SCALE: 1" = 1'-0"



**DECK REINFORCING PLAN**  
SCALE: 1/8" = 1'-0"

<b>STATE OF VERMONT AGENCY OF TRANSPORTATION</b>	
Town Of <b>CHESTER</b>	Bridge No. <b>12</b>
Highway No. <b>VT 103</b>	Log Sta. Surv. Sta.
<b>VT 103 OVER THE WILLIAMS RIVER</b>	
<b>BRIDGE DECK DETAILS</b>	
Designed By <b>L.WIXSON</b>	Drawn By <b>P.DUSTIN</b>
Checked By <b>T.GRANT</b>	Date <b>10/00</b>
Bridge Design Supervisor <b>M.ZYDEL</b> Date	
PROJECT <b>CHESTER</b>	PROJECT NO. <b>BRF 025-1(35)</b>
I.G.C. Info. <b>M:\87\34\Structures\zbl34odd.dgn</b> zbl34odd.j	
Bridge Sheet No. <b>BR107</b>	Sheet <b>51</b> of <b>79</b>
PLOTTED <b>28-MAY-2003</b>	



McFARLAND-JOHNSON, INC.