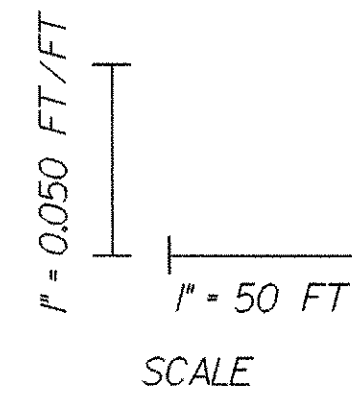
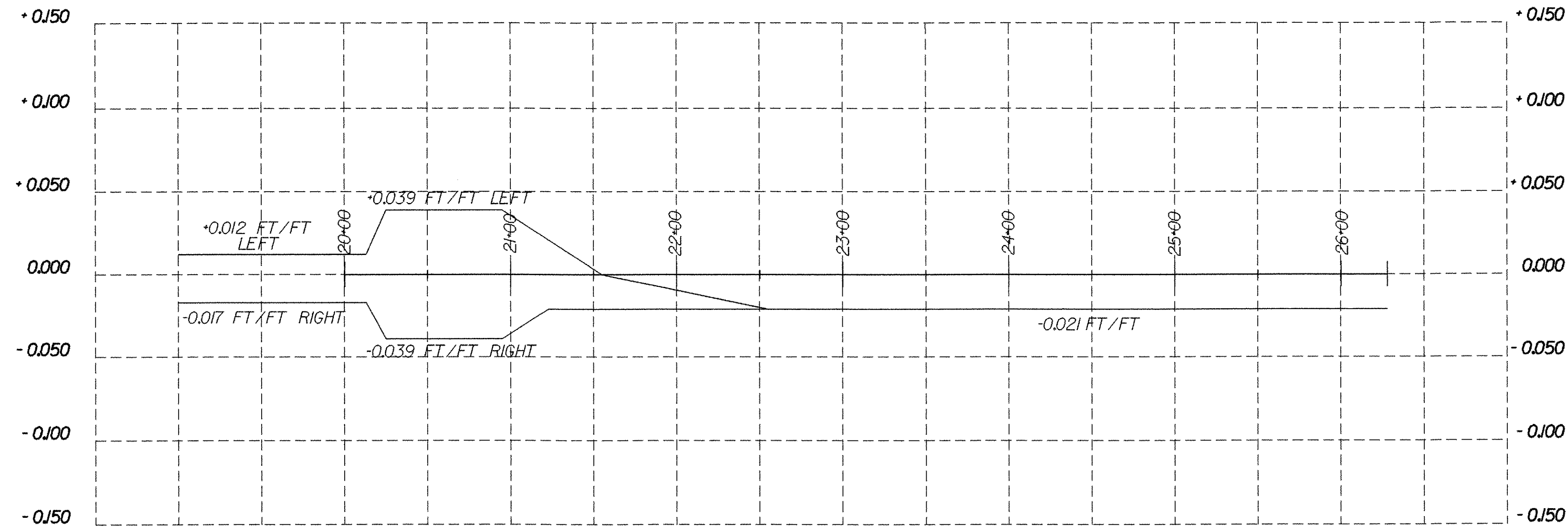
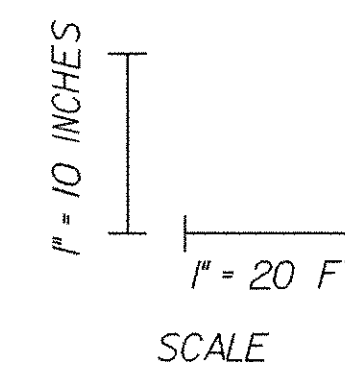
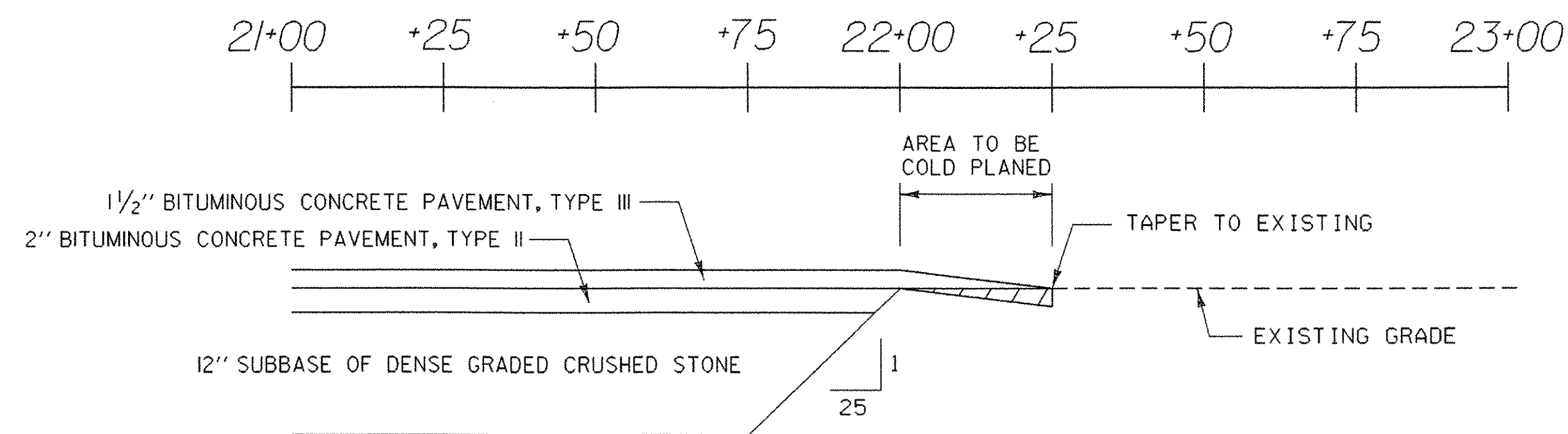


TH #6 BANKING TRANSITION DIAGRAM



TH #6 TH #6 MATERIAL TRANSITION DIAGRAM



SURVEYED BY	SHERIDAN	DATE	8-90
DRAWN BY	rdrown	DATE	4-92
SQUAD LEADER	PORTALUPI		
DESIGN FILE NO.	M:\154900 VAOT Chester Curv \HWY\DRAW\zfi34frm.dgn		
IPARM NAME	zfi34b+2.i	DATE PLOTTED	28-MAY-2003
PROJ. NAME	CHESTER		
PROJ. NO.	BRF025-1(35)		
SHEET	28	OF	79 SHEETS